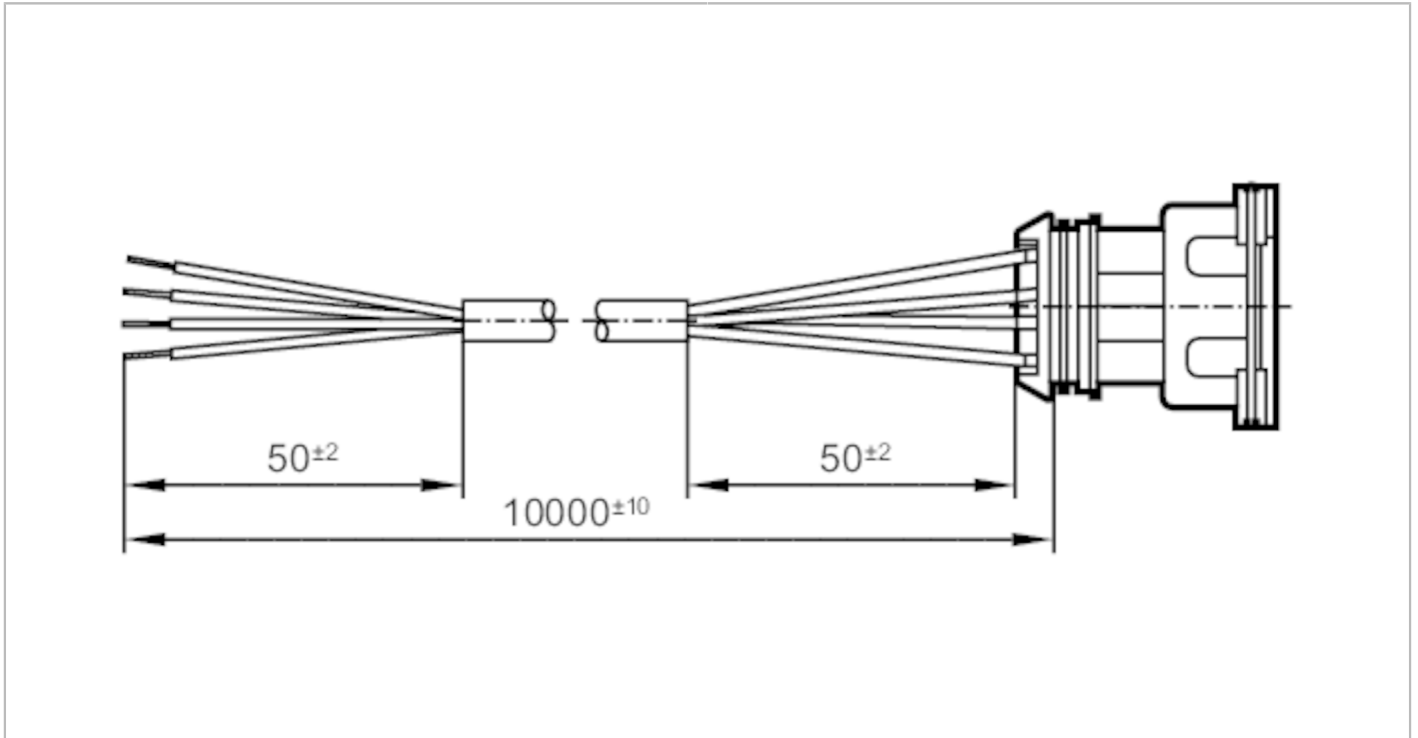


E60303



Connecting cable with socket

ADOGX040--S0010H04



Mechanical data

Weight [g] 458

Remarks

Pack quantity 1 pcs.

Electrical connection

Cable: 10 m, PUR; 4 x 0.5 mm²

Connection

1	BN
2	BK
3	BU
4	WH

E60303



Connecting cable with socket

ADOGX040--S0010H04

1	brown
2	black
3	blue
4	white

Connector: 1 x AMP, straight