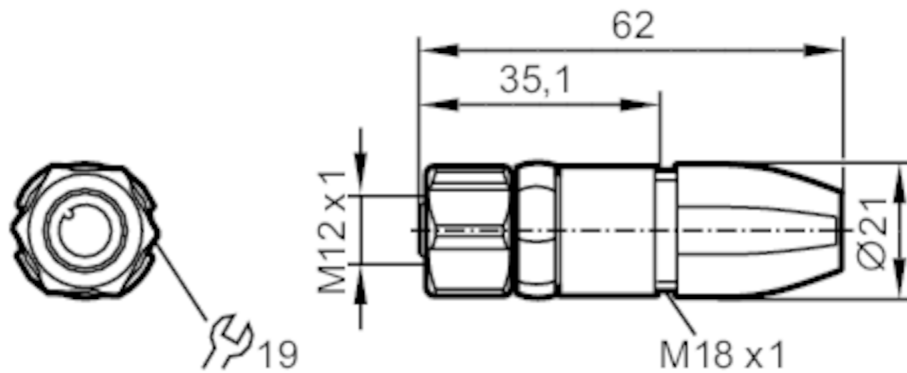


# EVF565



## Wirable socket

SDOGH040VASFKPG



CE

### Application

Special feature	Free from silicone; Gold-plated contacts
Application	hygienic and wet areas in the food industry
Free from silicone	yes

### Electrical data

Operating voltage	[V]	< 250 AC / < 300 DC
Protection class		II
Max. current load total	[A]	4; (...40 °C)

### Operating conditions

Ambient temperature	[°C]	-25...100
Protection		IP 65; IP 67; IP 68; IP 69K

### Mechanical data

Weight	[g]	36
Materials		PA 6.6 grey; Sealing EPDM
Material nut		stainless steel

### Remarks

Pack quantity		1 pcs.
---------------	--	--------

### Electrical connection

screw terminals: 0.25...1 mm<sup>2</sup>; Cable sheath: Ø 3.5...6 mm; AWG 23...17

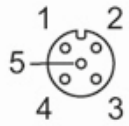
### Electrical connection - socket

Connector: 1 x M12, straight; Moulded body: PA 6.6, grey; Locking: stainless steel; Sealing: EPDM; Contacts: gold-plated; Tightening torque: 0.6...1.2 Nm; Take into account the maximum value of the counterpart!

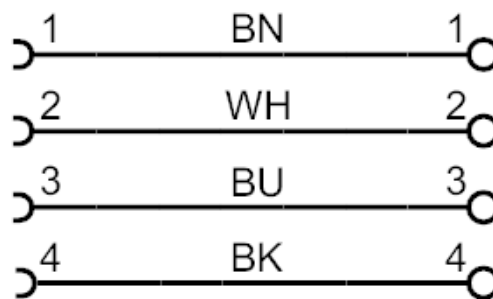
# EVF565

## Wirable socket

SDOGH040VASFKPG



### Connection



	Core colours
BK	black
BN	brown
BU	blue
WH	white

colours to DIN EN 60947-5-2