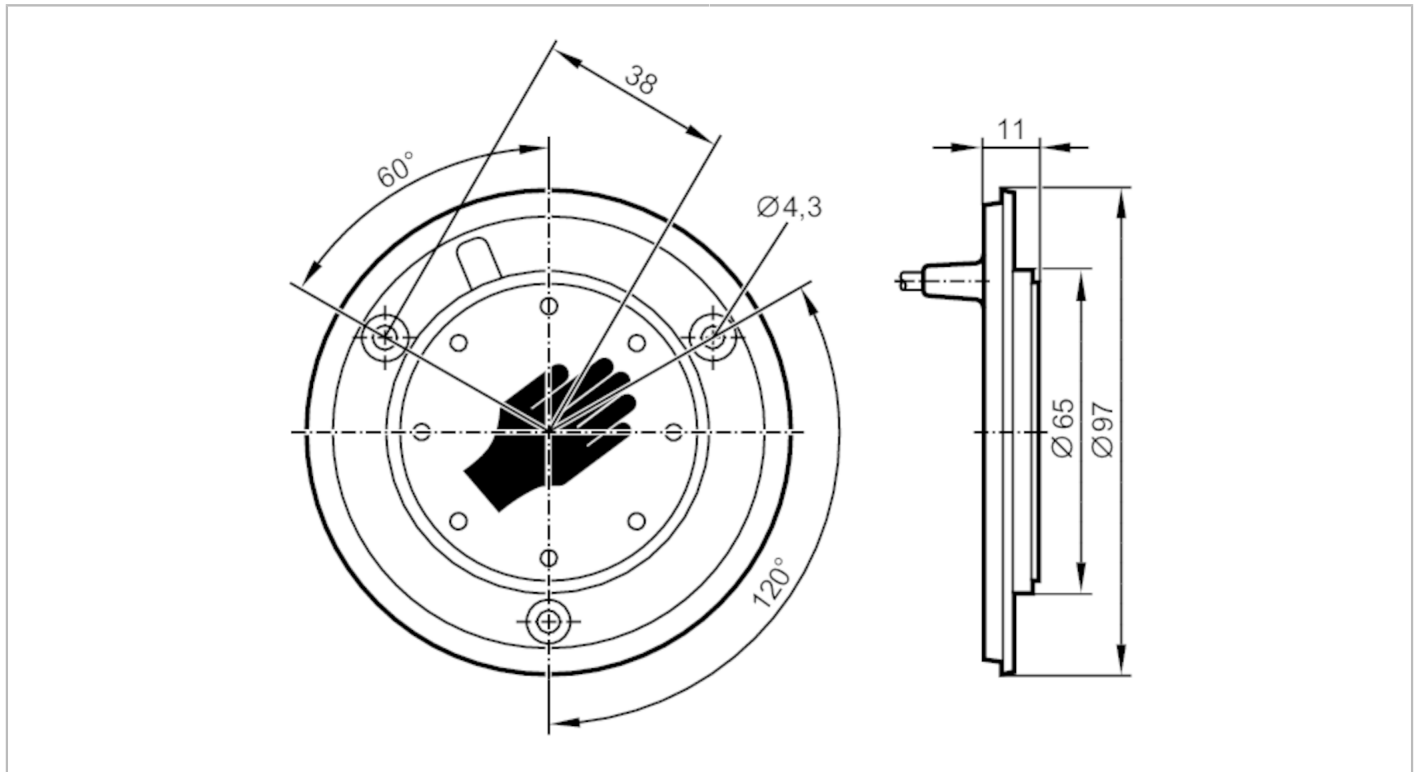


# KT5010



## Capacitive touch sensor

KTRDHOK-RBPKG/AM/2M



### Product characteristics

|                   |                 |
|-------------------|-----------------|
| Electrical design | PNP             |
| Output function   | normally open   |
| Dimensions [mm]   | Ø 96.9 / L = 11 |

### Application

|                     |         |
|---------------------|---------|
| Operating principle | dynamic |
|---------------------|---------|

### Electrical data

|                               |            |
|-------------------------------|------------|
| Operating voltage [V]         | 12...30 DC |
| Current consumption [mA]      | 30         |
| Protection class              | III        |
| Reverse polarity protection   | yes        |
| Max. power-on delay time [ms] | 500        |

### Outputs

|  |               |
|--|---------------|
| Electrical design                                    | PNP           |
| Output function                                      | normally open |
| Permanent current rating of switching output DC [mA] | 200           |
| Short-circuit protection                             | yes           |
| Overload protection                                  | yes           |
| Length of output signal [ms]                         | 300           |

### Response times

|                    |    |
|--------------------|----|
| Response time [ms] | 35 |
|--------------------|----|

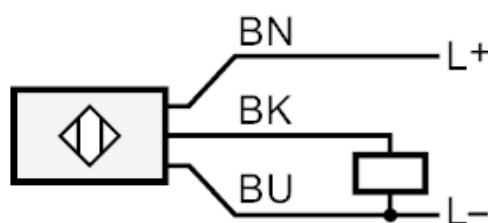
# KT5010



## Capacitive touch sensor

KTRDHOK-RBPKG/AM/2M

| Operating conditions          |                  |   |
|-------------------------------|------------------|---|
| Ambient temperature           | [°C]             | -40...85  |
| Protection                    |                  | IP 67; IP 69K; (on the front)                                       |
| Tests / approvals             |                  |   |
| MTTF                          | [years]          | 490.4   |
| Mechanical data               |                  |   |
| Weight                        | [g]              | 144   |
| Dimensions                    | [mm]             | Ø 96.9 / L = 11   |
| Materials                     |                  | active face: PA Grilamid TR 90UV transparent; housing: PC/ABS black |
| Displays / operating elements |                  |   |
| Display                       | switching status | 8 x LED, red  |
|                               | operation        | 8 x LED, green  |
| Accessories                   |                  |   |
| Accessories (optional)        |                  | surround in different colours                                       |
| Remarks                       |                  |   |
| Pack quantity                 |                  | 1 pcs.  |
| Electrical connection         |                  |   |
| Cable: 2 m, PUR               |                  |   |
| Connection                    |                  |   |



Core colours :

- BK = black
- BN = brown
- BU = blue