



Connect Air

A7007.. A7010.. A7012.. A7014.. A7015.. A7018..

Ideal Standard

Produced since: **Nov. 2019**

SL basin mixer flex. hose
X = 107mm Y = 90 mm
with pop-up waste
chrome **A7007AA**

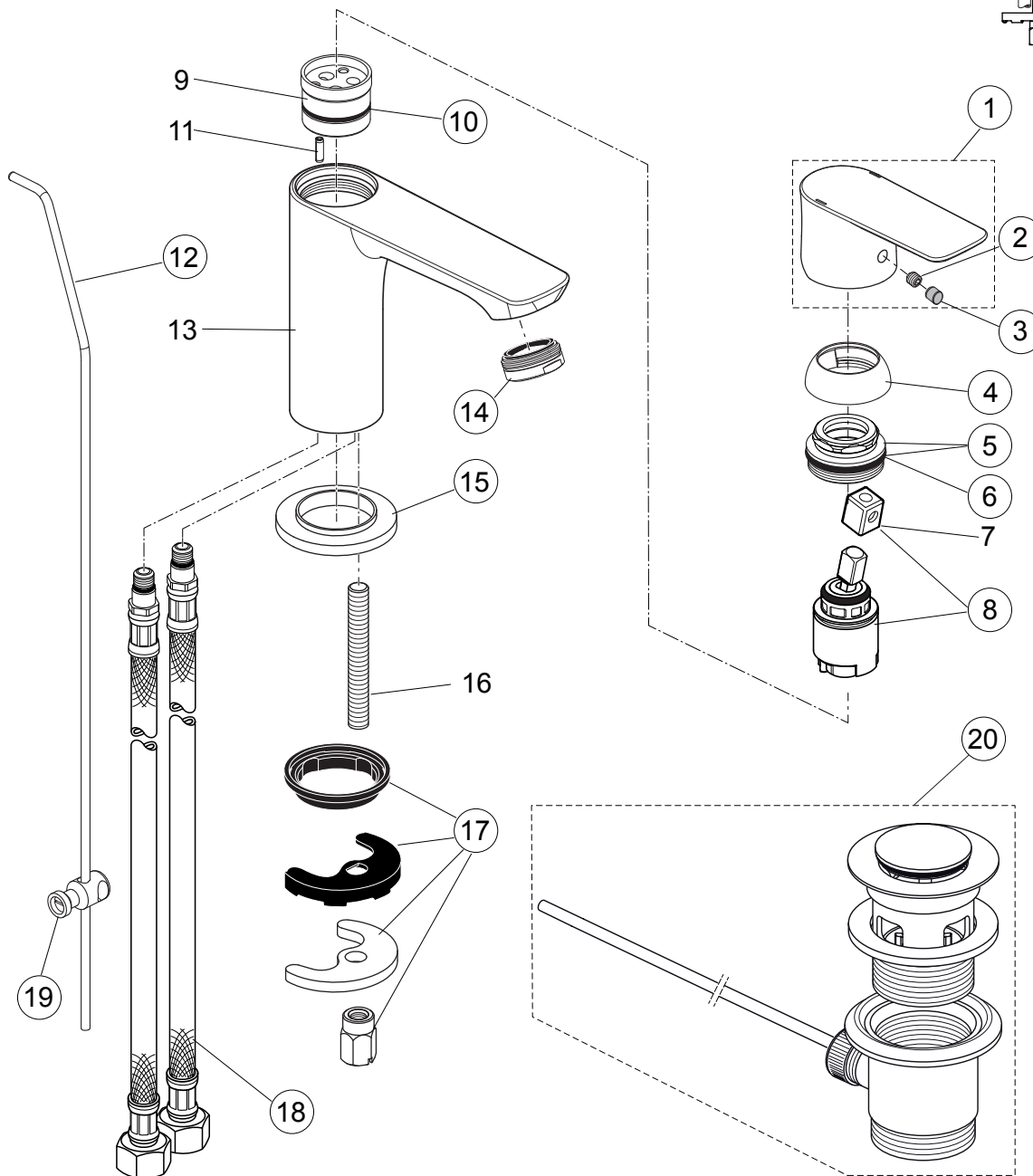
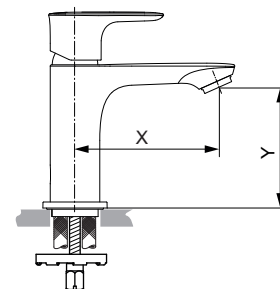
SL basin mixer flex. hose
X = 125mm Y = 114 mm
with pop-up waste
chrome **A7012AA**

SL basin mixer flex. hose
X = 90mm Y = 80 mm
with pop-up waste
chrome **A7014AA**

without pop-up waste
chrome **A7010AA**

without pop-up waste
chrome **A7015AA**

without pop-up waste
chrome **A7018AA**



Replace XX with the appropriate finish code

Chrome = AA Silver Storm = GN Gold = A2 Magnetic Grey = A5

Example spare part order:

A 861 402 AA in Chrome

Pos.	Description	Part-Number	Qty.	Pos.	Description	Part-Number	Qty.
1	Lever cpl. + pos.7	A 861 402 XX	1 Set	12	Lift rod cpl. + Pos. 19	B 960 900 XX	1 Set
2	Thread pin M5x5 DIN916	A 962 041 NU*	1 Set	13	Body		
3	Handle plug	A 861 223 NU*	1 Set	14	Aerator M24x1 - 5ltr/min	B 961 383 XX	1 pcs
4	Cover cap	A 861 224 XX	1 pcs	15	Escutcheon	A 861 227 XX	1 pcs
5	Thread ring M30x1 + pos.6	A 861 225 NU	1 Set	16	Bolt M8x63		
6	O - Ring Ø 28 x 2	A 963 299 NU	1 pcs	17	Fixation kit	A 964 520 NU*	1 Set
7	Lever adapter			18	Flex. hose M8x1-G3/8-425	A 962 370 NU	1 pcs
8	Cartridge Kerox Ø25 + Pos.7	A 861 226 NU	1 Set	19	Bracket	A 961 172 NU	1 pcs
9	Manifold			20	Pop-up waste complete	A 961 230 XX	1 Set
10	O - Ring Ø 23,52 x 1,78	A 961 855 NU	1 pcs				
11	Clamping pin						

*Universal set (not all parts needed)

Connect Air A7007.. A7010.. A7012.. A7014.. A7015.. A7018..



Produced since: Aug.2017 - Oct.2019

SL basin mixer flex. hose
X = 107mm Y = 90 mm
with pop-up waste
chrome **A7007AA**

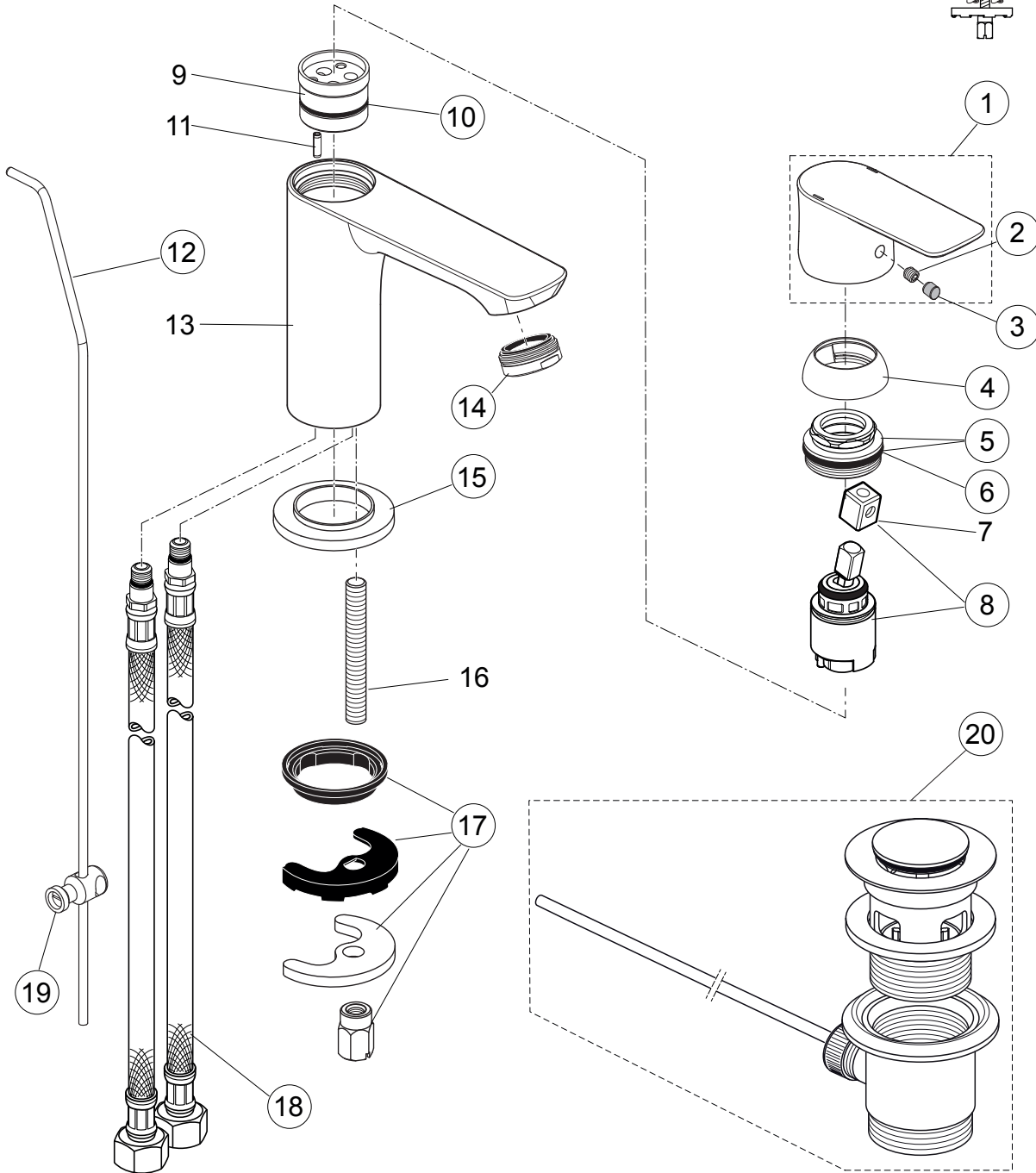
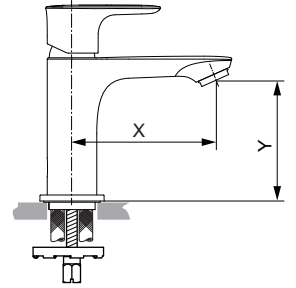
SL basin mixer flex. hose
X = 125mm Y = 114 mm
with pop-up waste
chrome **A7012AA**

SL basin mixer flex. hose
X = 90mm Y = 80 mm
with pop-up waste
chrome **A7014AA**

without pop-up waste
chrome **A7010AA**

without pop-up waste
chrome **A7015AA**

without pop-up waste
chrome **A7018AA**



Pos.	Description	Part-Number	Qty.	Pos.	Description	Part-Number	Qty.
1	Lever cpl. w. Logo ISI + pos.7	A 861 222 AA	1 Set	12	Lift rod cpl. + Pos. 19	A 861 210 AA	1 Set
2	Thread pin M5x5 DIN916	A 962 041 NU*	1 Set	13	Body		
3	Handle plug	A 861 223 NU*	1 Set	14	Aerator M24x1 - 5ltr/min	B 961 383 AA	1 pcs
4	Cover cap	A 861 224 AA	1 pcs	15	Escutcheon	A 861 227 AA	1 pcs
5	Thread ring M30x1 + pos.6	A 861 225 NU	1 Set	16	Bolt M8x63		
6	O - Ring Ø 28 x 2	A 963 299 NU	1 pcs	17	Fixation kit	A 964 520 NU*	1 Set
7	Lever adapter			18	Flex. hose M8x1-G3/8-425	A 962 370 NU	1 pcs
8	Cartridge Kerox Ø25 + Pos.7	A 861 226 NU	1 Set	19	Bracket	A 961 172 NU	1 pcs
9	Manifold			20	Pop-up waste complete	B 960 853 AA	1 Set
10	O - Ring Ø 23,52 x 1,78	A 961 855 NU	1 pcs				
11	Clamping pin						

*Universal set (not all parts needed)