



Connectors > D-Shaped Connectors > D-Sub Accessories > D-Sub Backshells & Clamps



D-Shaped Connector Accessories: **Backshell Kit**

Cable Clamp Type: **Two-Piece RFI/EMI Shield**

Ferrule Type: **Split-Ring**

Connector System: **Cable-to-Cable, Cable-to-Panel**

Number of Positions: **9**

Features

Product Type Features

D-Shaped Connector Accessories	Backshell Kit
Connector System	Cable-to-Cable, Cable-to-Panel
Connector & Contact Terminates To	Wire & Cable

Configuration Features

Number of Positions	9
---------------------	---

Body Features

Cable Clamp Type	Two-Piece RFI/EMI Shield
Ferrule Type	Split-Ring
Cable Exit Angle	180° (In-Line)

Mechanical Attachment

Connector Mounting Type	Cable Mount (Free-Hanging), Panel Mount
-------------------------	---

Usage Conditions

Operating Temperature Range	-55 – 105 °C[-67 – 221 °F]
-----------------------------	----------------------------

Operation/Application

--	--



Compatible With Connector Shell Size	1
Shielded	Yes

Product Compliance

[For compliance documentation, visit the product page on TE.com>](#)

EU RoHS Directive 2011/65/EU	Compliant
EU ELV Directive 2000/53/EC	Compliant
China RoHS 2 Directive MIIT Order No 32, 2016	No Restricted Materials Above Threshold
EU REACH Regulation (EC) No. 1907/2006	Current ECHA Candidate List: JUL 2021 (219) Candidate List Declared Against: JAN 2021 (211) SVHC > Threshold: Not Yet Reviewed
Halogen Content	Low Halogen - Br, Cl, F, I < 900 ppm per homogenous material. Also BFR/CFR/PVC Free
Solder Process Capability	Not applicable for solder process capability

Product Compliance Disclaimer

This information is provided based on reasonable inquiry of our suppliers and represents our current actual knowledge based on the information they provided. This information is subject to change. The part numbers that TE has identified as EU RoHS compliant have a maximum concentration of 0.1% by weight in homogenous materials for lead, hexavalent chromium, mercury, PBB, PBDE, DBP, BBP, DEHP, DIBP, and 0.01% for cadmium, or qualify for an exemption to these limits as defined in the Annexes of Directive 2011/65/EU (RoHS2). Finished electrical and electronic equipment products will be CE marked as required by Directive 2011/65/EU. Components may not be CE marked. Additionally, the part numbers that TE has identified as EU ELV compliant have a maximum concentration of 0.1% by weight in homogenous materials for lead, hexavalent chromium, and mercury, and 0.01% for cadmium, or qualify for an exemption to these limits as defined in the Annexes of Directive 2000/53/EC (ELV). Regarding the REACH Regulation, the information TE provides on SVHC in articles for this part number is based on the latest European Chemicals Agency (ECHA) 'Guidance on requirements for substances in articles' posted at this URL: <https://echa.europa.eu/guidance-documents/guidance-on-reach>

Compatible Parts



Customers Also Bought



TE Part #1-794613-1
PIN CONT 26-30 15 GOLD L/P



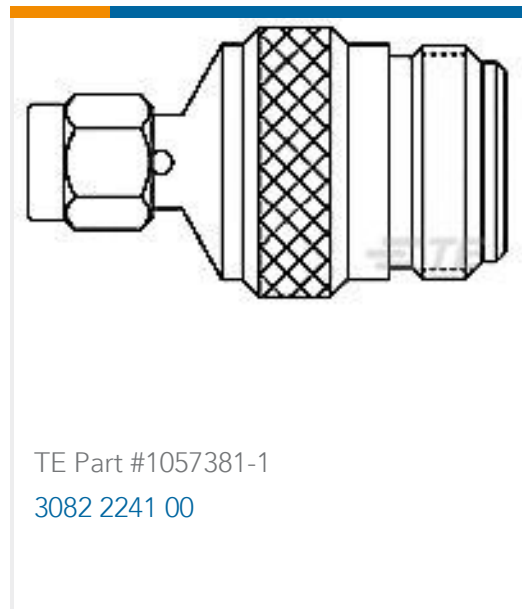
TE Part #1-1478762-5
METAL BACKSHELL 15 WAY TOP E



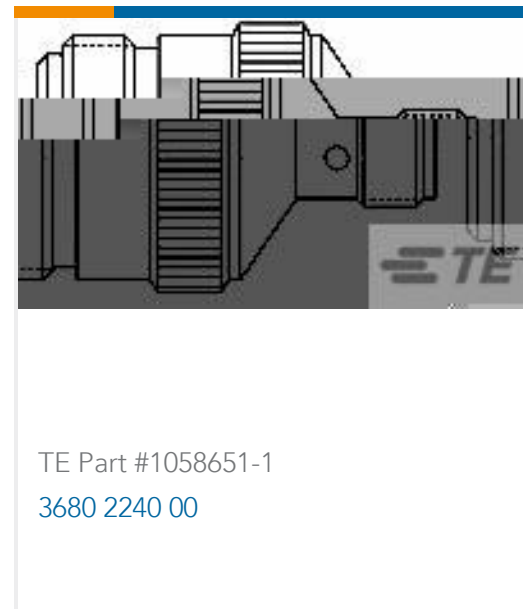
TE Part #1-6609001-0
10EEB1=F7533 S0



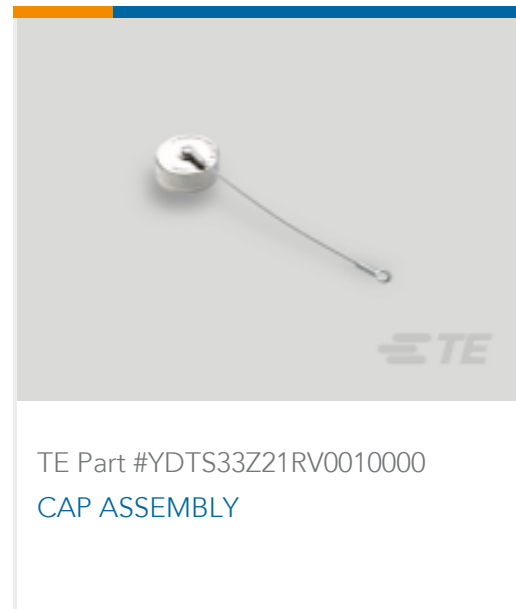
TE Part #1487588-1
USB, A-B, 28/24, WHITE, 2.0M



TE Part #1057381-1
3082 2241 00



TE Part #1058651-1
3680 2240 00



TE Part #YDTS33Z21RV0010000
CAP ASSEMBLY



TE Part #1437504-5
8060-1G12=GOLD TRANSISTOR SOCK



TE Part #1103016-2
MDL2.HD.18.BU.C



TE Part #1106464-4
HB.24.SG-VS.2.M25.Z

Documents

Product Drawings

[Metal backshell 9 way Top Entry-KIT](#)

English

[Metal backshell 9 way Top Entry-KIT](#)

English

[Metal backshell 9 way Top Entry-KIT](#)

English

CAD Files

[3D PDF](#)

3D

Customer View Model

[ENG_CVM_CVM_5-1478762-1_G_c-5-1478762-1-g.2d_dxf.zip](#)

English

Customer View Model

[ENG_CVM_CVM_5-1478762-1_G_c-5-1478762-1-g.3d_igs.zip](#)

English

Customer View Model



[ENG_CVM_CVM_5-1478762-1_G_c-5-1478762-1-g.3d_stp.zip](#)

English

By downloading the CAD file I accept and agree to the [Terms and Conditions](#) of use.

[Product Specifications](#)

[Application Specification](#)

English

[Product Environmental Compliance](#)

[TE Material Declaration](#)

English