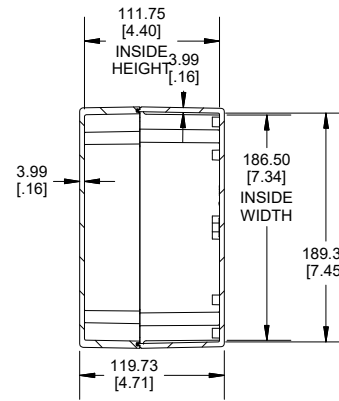
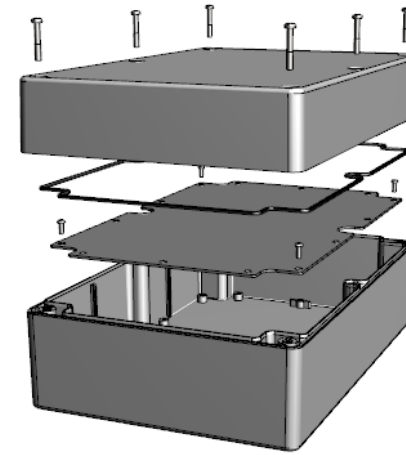


TOP VIEW



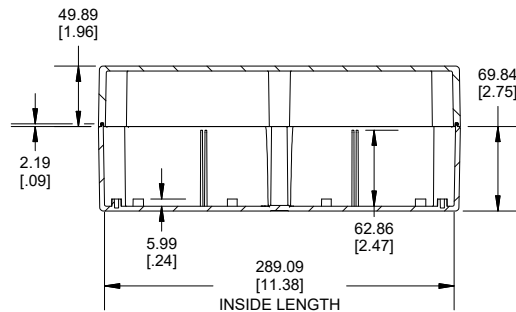
SECTION A-A  
END VIEW



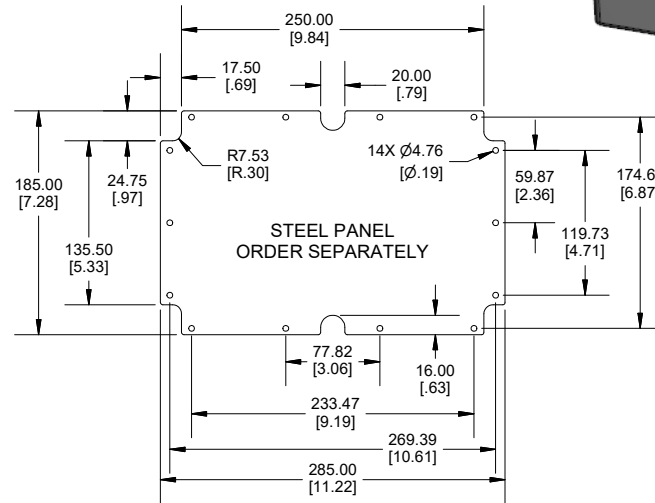
POLYCARBONATE  
VERSION ONLY



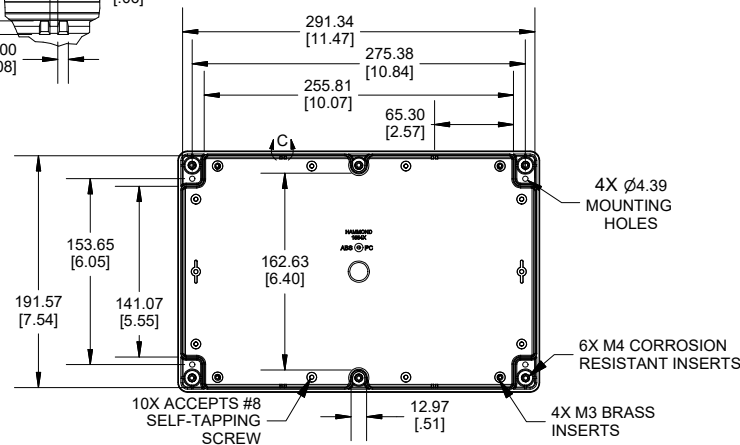
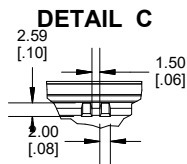
Enclosures can be Factory Modified (Milling, Drilling, Printing etc.)  
 Contact Factory (modshop@hammfg.com) for quotes  
 Solid models of this enclosure available in .stp or .x\_t  
 (Part number and text placement/orientation on our products are subject to change,  
 we do not recommend using them as a locating reference for modification purposes)



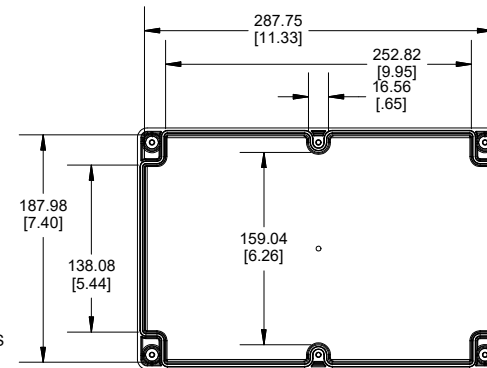
SECTION B-B  
SIDE VIEW



STEEL PANEL  
ORDER SEPARATELY



INSIDE BOX



INSIDE LID

Dimensions:  
mm  
[inches]

NOTE	
Purchased assembly includes box, lid, 6 cover screws, and preformed silicone gasket.	
General Purpose ABS version is not UL approved. (Matl UL94 - HB)	
Polycarbonate version is UL 508A approved. (Matl UL94 - 5VA @ 3mm)	
<b>Recommended Cover screw torque -- 8-9 lbf-in (90-100 cN-m)</b>	

1554XA	
1554XA Regular Enclosure	
General Purpose ABS RAL-7035	1554XAGY
Polycarbonate RAL-7035	1554XA2GY
1554XA Clear / Smoke Lid Enclosure	
Polycarbonate Box / Clear Polycarbonate Lid	1554XA2GYCL
Polycarbonate Box / Smoke Polycarbonate Lid	1554XA2GYSL
ACCESSORIES	
Steel Inner Panels	1554XPL
Steel Panel / P.C. Board Screw [M3-0.5 x 8mm Plated] (Pkg 100)	1591MM100
Steel Panel / P.C. Board Self Tapping Screw [#8 X 5/16" (6.4mm)]	SC554-100
Stainless Steel Cover Screws [M4-0.7 X 25mm] (Pkg 50)	SC583-50
Silicone Pre-formed Gasket Black (Pkg 2)	1554XGASKET

**HAMMOND  
MANUFACTURING**

**1554XA**

www.hammondmfg.com