


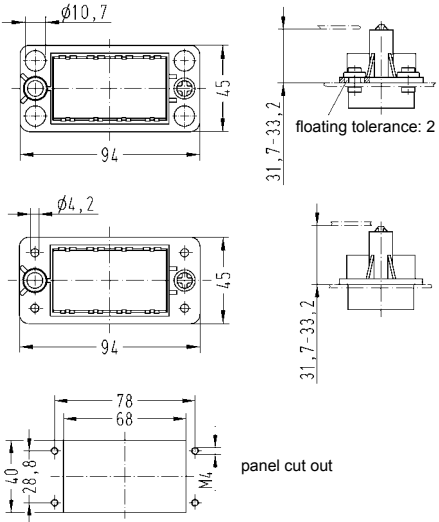

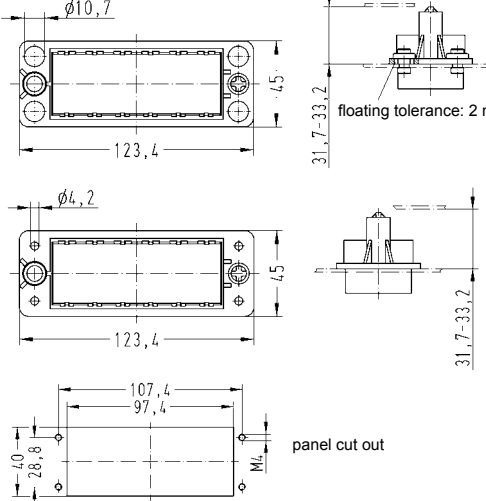
## Features

- Suitable for all Han-Modular® modules
- Very robust design
- Solid pre-leading guid pins and float bushes
- Can be fixed with standard M4 screws
- Due to the plastic material used in the docking frame without PE, the panel will need to be grounded separately.

## Technical characteristics

Specifications	DIN EN 60 664-1 DIN EN 61 984
Material	
Docking Frame	polycarbonate
Float washer	zinc die-cast alloy
Floating tolerance	± 2 mm
Aligning tolerance	± 4 mm
Limiting temperatures	-40 °C ... +125 °C
Flammability acc. to UL 94	V 0
Mechanical working life	≥ 500 mating cycles



Identification	Float mount A ... F	Fixed a ... f	Drawings	Dimensions in mm
<b>Docking frame for 4 modules</b>  	09 14 016 1701	09 14 016 1711		floating tolerance: 2 mm
<b>Docking frame for 6 modules</b>  	09 14 024 1701	09 14 024 1711		floating tolerance: 2 mm
<b>Float washer</b> to enable the frame to be float mounted using standard M4 fixing screws	09 14 000 9936		