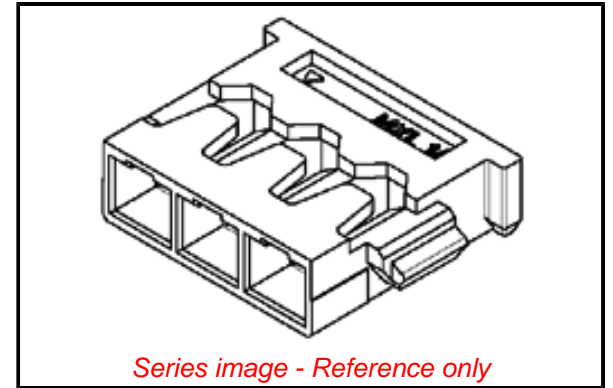


**PLEASE CHECK WWW.MOLEX.COM FOR LATEST PART INFORMATION**

**Part Number:** **0781725006**  
**Status:** **Active**  
**Overview:** Pico-EZmate and Pico-EZmate Slim Wire-to-Board Connector Systems  
**Description:** Pico-EZmate Wire-to-Board Receptacle Housing, with Side Friction Locks, 6 Circuits, Black

**Documents:**

<a href="#">3D Model</a>	<a href="#">Application Specification AS-78172-001-001 (PDF)</a>
<a href="#">Drawing (PDF)</a>	<a href="#">Packaging Specification SPK-78172-002-001 (PDF)</a>
<a href="#">Product Specification 781720002-000 (PDF)</a>	<a href="#">RoHS Certificate of Compliance (PDF)</a>
<a href="#">Product Specification PS-78172-001-001 (PDF)</a>	



**Agency Certification**

CSA	LR19980
UL	E29179

**General**

Product Family	Crimp Housings
Series	<u>78172</u>
Application	Signal, Wire-to-Board
Overview	<u>Pico-EZmate and Pico-EZmate Slim Wire-to-Board Connector Systems</u>
Product Name	Pico-EZmate
UPC	883906188207

**Physical**

Circuits (maximum)	6
Color - Resin	Black
Flammability	94V-0
Gender	Receptacle
Glow-Wire Capable	No
Keying to Mating Part	None
Lock to Mating Part	Yes
Net Weight	28.000/mg
Number of Rows	1
Packaging Type	Bag
Panel Mount	No
Pitch - Mating Interface	1.20mm
Polarized to Mating Part	Yes
Ports	1
Stackable	No
Temperature Range - Operating	-25° to +85°C

**Material Info**

**Reference - Drawing Numbers**

Application Specification	AS-78172-001-001
Packaging Specification	SPK-78172-002-001
Product Specification	781720002-000, PS-78172-001-001
Sales Drawing	SD-78172-001

**EU ELV**

**Not Relevant**

**EU RoHS**

**Compliant**

**REACH SVHC**

Not Contained Per -  
ED/61/2018 (27 June  
2018)

**Halogen-Free**

**Status**

**Low-Halogen**

**Need more information on product environmental compliance?**

Email [productcompliance@molex.com](mailto:productcompliance@molex.com)  
Please visit the [Contact Us](#) section for any non-product compliance questions.

China ROHS	Green Image
ELV	Not Relevant
Prop65	Compliant
RoHS Phthalates	Not Contained

**Search Parts in this Series**

78172 Series

**Mates With**

Pico-EZmate Header 78171

**Use With**

Pico-EZmate Crimp Terminal 78172-0410