

## Low I<sub>Q</sub> Boost Converter with Programmable Low Battery, UVLO and Automatic Input-to-Output Bypass Operation

### Features

- Input Voltage Range: 0.8V (after Start-up) to 5.25V
- Low Device Quiescent Current: 5  $\mu$ A Typically, PFM Mode (not switching)
- Up to 96% Efficiency
- 1A Typical Inductor Peak Current Limit:
  - I<sub>OUT</sub> > 170 mA @ 2V V<sub>OUT</sub>, 1.2V V<sub>IN</sub>
  - I<sub>OUT</sub> > 200 mA @ 3.3V V<sub>OUT</sub>, 1.5V V<sub>IN</sub>
  - I<sub>OUT</sub> > 600 mA @ 5.0V V<sub>OUT</sub>, 3.6V V<sub>IN</sub>
- Adjustable Output Voltage Range
- Automatic Input-to-Output Bypass Operation
- Selectable Switching Mode:
  - PWM operation: 500 kHz (MCP16412/4/6/8)
  - Automatic PFM/PWM operation (MCP16411/3/5/7)
- Programmable Undervoltage Lockout (UVLO)
- Programmable Low Battery Output (LBO)
- Selectable Status Indicator:
  - Power Good and die overtemperature output (MCP16411/2/3/4)
  - Power Good output (MCP16415/6/7/8)
- Internal Synchronous Rectifier
- Internal Compensation
- Inrush Current Limiting and Internal Soft Start
- Low Noise, Anti-Ringing Control
- Thermal Shutdown
- Selectable Shutdown States:
  - Output discharge option (MCP16411/2/5/6)
  - Input-to-output bypass option (MCP16413/4/7/8)
- Shutdown Current: 2.3  $\mu$ A Typically
- Available Packages:
  - 10-lead MSOP
  - 10-lead 3 mm x 3 mm TDFN

### Applications

- Personal and Health Care Products
- Single-Cell or Two-Cell Powered IoT Devices
- Bluetooth® Headsets
- Remote Controllers, Portable Instruments
- Wireless Sensors, Data Loggers

### Description

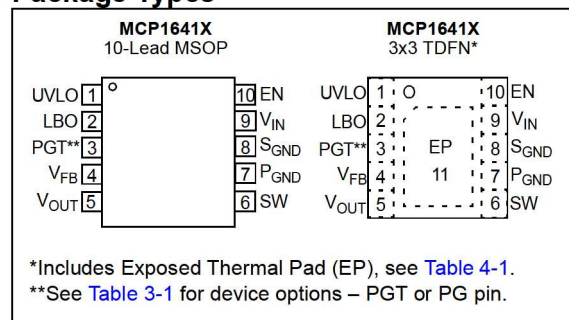
The MCP1641X step-up DC-DC converters family provides an automatic input-to-output voltage bypass operation which helps optimizing battery utilization and achieving high efficiency while fresh batteries' nominal voltage is in the same range with the converter's output value. The MCP1641X can be powered by either single-cell, two-cell alkaline/NiMH batteries or single-cell Li-Ion/Li-Polymer batteries.

A low-voltage designed architecture allows the regulator to start up without high inrush current or output voltage overshoot from a low input voltage. The start-up voltage is easily programmed by a resistive divider connected to the UVLO pin. If the resistive divider is not used, the default start-up voltage will be 0.85V. The 0.8V built-in UVLO<sub>STOP</sub> helps prevent deep discharge of the alkaline battery, which may cause battery leakage. An open-drain Low Battery Output (LBO) pin will warn the user to replace the battery if the input voltage ramps down to the programmed UVLO<sub>START</sub> value.

The MCP1641X family introduces an additional safety feature to a low-voltage boost converter: Over-temperature Output. Devices, such as personal care products, Bluetooth headsets or toys, will benefit from combined Power Good and Die Overtemperature (PGT) output, which flags a warning signal when the output voltage level drops with 10% or the die temperature exceeds the 75°C<sup>(1)</sup>, typically. Both functions are implemented in the MCP16411/2/3/4 devices (on the same pin, PGT), while the MCP16415/6/7/8 devices have the Power Good only option.

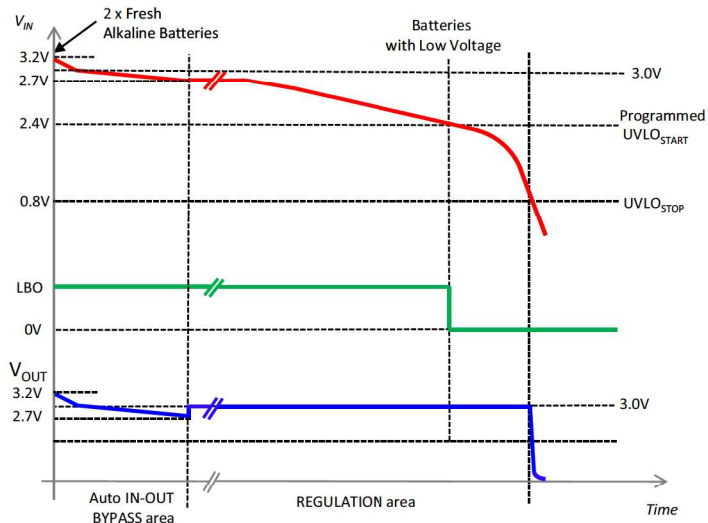
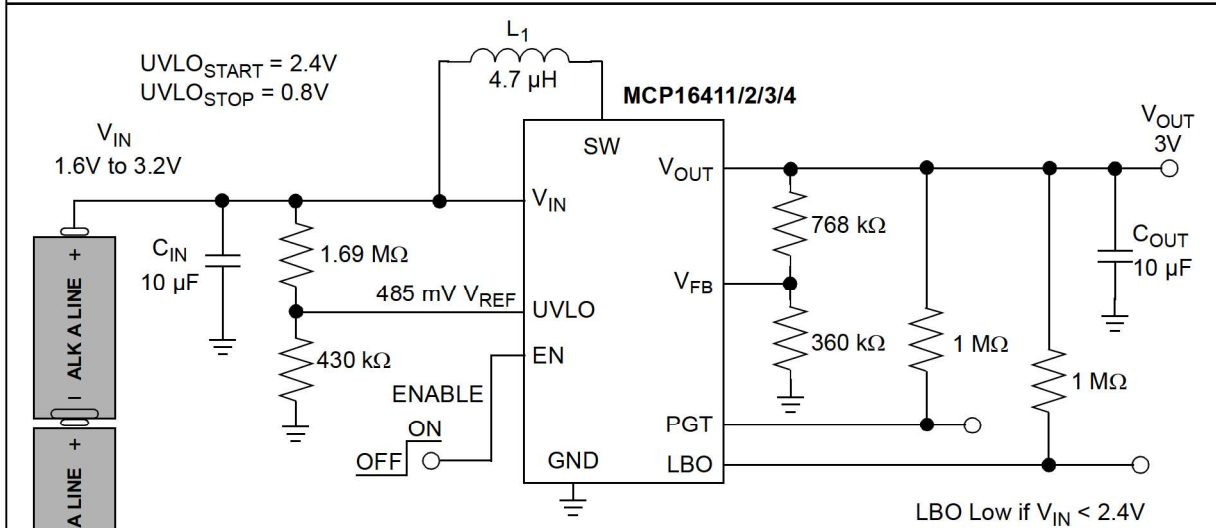
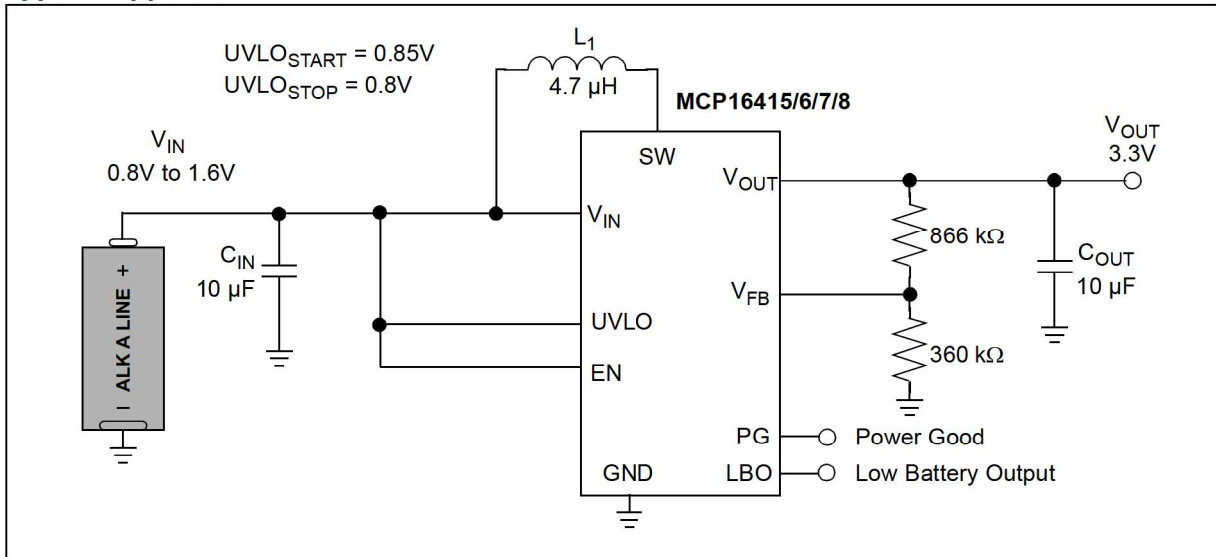
**Note 1:** Factory programmable from 55°C to 85°C, 10°C increments, by customer request.

### Package Types



# MCP1641X

## Typical Applications



## 1.0 ELECTRICAL CHARACTERISTICS

### Absolute Maximum Ratings†

EN, V <sub>FB</sub> , V <sub>IN</sub> , V <sub>SW</sub> , V <sub>OUT</sub> – GND	+5.5V
EN, V <sub>FB</sub>	< maximum between V <sub>OUT</sub> or V <sub>IN</sub> > (GND – 0.3V)
Output Short-Circuit Current	Continuous
Output Current Bypass Mode	600 mA
Power Dissipation	Internally Limited
Storage Temperature	-65°C to +150°C
Ambient Temperature with Power Applied	-40°C to +85°C
Operating Junction Temperature, T <sub>J</sub>	-40°C to +125°C
ESD Protection on All Pins:	
Human Body Model	≥ 4 kV
Charged Device Model	≥ 2 kV

† **Notice:** Stresses above those listed under “Absolute Maximum Ratings” may cause permanent damage to the device. This is a stress rating only and functional operation of the device at those or any other conditions above those indicated in the operational listings of this specification is not intended. Exposure to maximum rating conditions for extended periods may affect device reliability.

### AC/DC CHARACTERISTICS

**Electrical Specifications:** Unless otherwise noted, V<sub>IN</sub> = 1.2V, C<sub>OUT</sub> = C<sub>IN</sub> = 10 μF, L = 4.7 μH, V<sub>OUT</sub> = 3.3V, I<sub>OUT</sub> = 10 mA, T<sub>A</sub> = +25°C. **Boldface** specifications apply over the T<sub>A</sub> range of -40°C to +85°C.

Parameters	Sym.	Min.	Typ.	Max.	Units	Conditions
Input Voltage Range	V <sub>IN</sub>	<b>0.82</b>	—	<b>5.25</b>	V	Values apply for the entire V <sub>OUT</sub> range
Minimum Input Voltage for Start-up	V <sub>IN</sub>	—	—	<b>0.88</b>	V	
Undervoltage Lockout (UVLO)	UVLO <sub>START</sub>	<b>0.83</b>	<b>0.85</b>	<b>0.87</b>	V	Resistive load; UVLO pin connected to V <sub>IN</sub> pin
	UVLO <sub>STOP</sub>	<b>0.74</b>	<b>0.8</b>	<b>0.81</b>	V	
	UVLO <sub>HYS</sub>	—	<b>50</b>	—	mV	
Output Voltage Adjust Range	V <sub>OUT</sub>	<b>1.8</b>	—	<b>5.25</b>	V	<b>Note 1</b>
Maximum Output Current	I <sub>OUT</sub>	<b>170</b>	—	—	mA	1.2V V <sub>IN</sub> , 2.0V V <sub>OUT</sub> ( <b>Note 4</b> )
		<b>200</b>	—	—	mA	1.5V V <sub>IN</sub> , 3.3V V <sub>OUT</sub> ( <b>Note 4</b> )
		<b>600</b>	—	—	mA	3.6V V <sub>IN</sub> , 5.0V V <sub>OUT</sub> ( <b>Note 4</b> )
Feedback Voltage	V <sub>FB</sub>	<b>0.95</b>	<b>0.97</b>	<b>0.985</b>	V	<b>Note 3</b>
Feedback Input Bias Current	I <sub>VFB</sub>	—	<b>1</b>	—	nA	<b>Note 4</b>
Quiescent Current at V <sub>OUT</sub>	I <sub>QOUT</sub>	—	5.0	6.0	μA	EN = V <sub>IN</sub> , does not include FB divider current, PFM Mode (MCP16411/3/5/7) ( <b>Note 2</b> )

**Note 1:** For V<sub>IN</sub> > V<sub>OUT</sub>, the device will enter Automatic Input-to-Output Bypass mode, V<sub>OUT</sub> = V<sub>IN</sub> – R<sub>DS(ON)P</sub> \* I<sub>OUT</sub>, maximum V<sub>IN</sub> is 5.25V.

**2:** V<sub>OUT</sub> pin is forced biased with a voltage higher than the nominal V<sub>OUT</sub> (device is not switching) at I<sub>OUT</sub> = 0 mA. I<sub>QIN</sub> and I<sub>QOUT</sub> are the device's current consumption at V<sub>IN</sub> and V<sub>OUT</sub> pins during Sleep periods. Device selects its bias from V<sub>IN</sub> and/or V<sub>OUT</sub>.

**3:** 330Ω resistive load, 3.3V V<sub>OUT</sub> (10 mA).

**4:** Determined by characterization, not production tested.

**5:** This is ensured by design.



# MCP1641X

## AC/DC CHARACTERISTICS (CONTINUED)

**Electrical Specifications:** Unless otherwise noted,  $V_{IN} = 1.2V$ ,  $C_{OUT} = C_{IN} = 10 \mu F$ ,  $L = 4.7 \mu H$ ,  $V_{OUT} = 3.3V$ ,  $I_{OUT} = 10 \text{ mA}$ ,  $T_A = +25^\circ C$ . **Boldface** specifications apply over the  $T_A$  range of  $-40^\circ C$  to  $+85^\circ C$ .

Parameters	Sym.	Min.	Typ.	Max.	Units	Conditions
Quiescent Current at $V_{IN}$	$I_{QIN}$	—	4.5	5	$\mu A$	$EN = V_{IN}$ , PFM Mode (MCP16411/3/5/7) (Notes 2, 4)
Quiescent Current – Shutdown Mode	$I_{QSHDN}$	—	2.3	3.1	$\mu A$	$V_{OUT} = EN = GND$ , includes N-Channel and P-Channel switch leakage
NMOS Switch Leakage	$I_{NLK}$	—	85	—	nA	Note 5
PMOS Switch Leakage	$I_{PLK}$	—	1	—	nA	Note 5
NMOS Switch On-Resistance	$R_{DS(ON)N}$	—	0.4	—	$\Omega$	$I_{SW} = 100 \text{ mA}$ (Note 4)
PMOS Switch On-Resistance	$R_{DS(ON)P}$	—	0.5	—	$\Omega$	$I_{SW} = 100 \text{ mA}$ (Note 4)
NMOS Peak Switch Current Limit	$I_{N(MAX)}$	0.8	1	—	A	Note 4
$V_{OUT}$ Accuracy	$V_{OUT}\%$	—	—	+1	%	Includes line and load regulation, $V_{IN} = 1.5V$ , PWM Only options
Line Regulation	$ \frac{\Delta V_{OUT}/V_{OUT}}{\Delta V_{DD}} $	—	0.1	0.5	%/V	$V_{IN} = 1.5V$ to $2.7V$ , $I_{OUT} = 25 \text{ mA}$ , PWM Only options
Load Regulation	$ \frac{\Delta V_{OUT}/V_{OUT}}{\Delta I_{OUT}} $	—	0.1	0.2	%	$I_{OUT} = 10 \text{ mA}$ to $100 \text{ mA}$ , $V_{IN} = 1.5V$ , PWM Only options
Maximum Duty Cycle	$DC_{MAX}$	—	90	—	%	Note 4
Switching Frequency	$f_{SW}$	425	500	575	kHz	$I_{OUT} = 100 \text{ mA}$
EN Input Logic High	$V_{IH}$	<b>82</b>	—	—	% of $V_{IN}$	$I_{OUT} = 10 \text{ mA}$
EN Input Logic Low	$V_{IL}$	—	—	<b>25</b>	% of $V_{IN}$	$I_{OUT} = 10 \text{ mA}$
EN Input Leakage Current	$I_{ENLK}$	—	<b>1</b>	—	nA	Note 4
Power Good Threshold	$PG_{TH}$	—	<b>90</b>	—	%	% of $V_{OUT}$ (part of PGT signal) for MCP16411/2/3/4
Power Good Hysteresis	$PG_{HYS}$	—	<b>5</b>	—	%	% of $V_{OUT}$
Power Good Delay	$PG_{DELAY}$	—	250	—	$\mu s$	Note 4
Power Good Response	$PG_{RESPONSE}$	—	250	—	$\mu s$	Note 4
PGT Pin Low Level Output	$PGT_{LOW}$	—	0.4	—	V	$I_{SINK} = 2 \text{ mA}$ (Note 4)
Low Battery Output Delay	$LBO_{DELAY}$	—	150	—	$\mu s$	Note 4
Low Battery Output Response	$LBI_{RESPONSE}$	—	150	—	$\mu s$	Note 4
Low Battery Input Hysteresis	$LBI_{HYS}$	—	<b>20</b>	<b>40</b>	mV	UVLO pin
Low Battery Output Low Level	$LBI_{LOW}$	—	0.4	—	V	$I_{SINK} = 2 \text{ mA}$ (Note 4)

- Note 1:** For  $V_{IN} > V_{OUT}$ , the device will enter Automatic Input-to-Output Bypass mode,  $V_{OUT} = V_{IN} - R_{DS(ON)P} * I_{OUT}$ , maximum  $V_{IN}$  is 5.25V.
- 2:**  $V_{OUT}$  pin is forced biased with a voltage higher than the nominal  $V_{OUT}$  (device is not switching) at  $I_{OUT} = 0 \text{ mA}$ .  $I_{QIN}$  and  $I_{QOUT}$  are the device's current consumption at  $V_{IN}$  and  $V_{OUT}$  pins during Sleep periods. Device selects its bias from  $V_{IN}$  and/or  $V_{OUT}$ .
- 3:** 330 $\Omega$  resistive load, 3.3V  $V_{OUT}$  (10 mA).
- 4:** Determined by characterization, not production tested.
- 5:** This is ensured by design.



## AC/DC CHARACTERISTICS (CONTINUED)

**Electrical Specifications:** Unless otherwise noted,  $V_{IN} = 1.2V$ ,  $C_{OUT} = C_{IN} = 10 \mu F$ ,  $L = 4.7 \mu H$ ,  $V_{OUT} = 3.3V$ ,  $I_{OUT} = 10 \text{ mA}$ ,  $T_A = +25^\circ C$ . **Boldface** specifications apply over the  $T_A$  range of  $-40^\circ C$  to  $+85^\circ C$ .

Parameters	Sym.	Min.	Typ.	Max.	Units	Conditions
Start-up Time	$t_S$	—	1	—	ms	EN low-to-high, 90% of $V_{OUT}$ (Notes 3, 4)
Thermal Shutdown Die Temperature	$T_{SHDN}$	—	140	—	$^\circ C$	
Thermal Shutdown Temperature Hysteresis	$T_{SHDNHYS}$	—	10	—	$^\circ C$	
Internal Overtemperature Output	$PGT_{OT}$	—	75	—	$^\circ C$	PGT signal switch from high-to-low level, MCP16411/2/3/4 only

**Note 1:** For  $V_{IN} > V_{OUT}$ , the device will enter Automatic Input-to-Output Bypass mode,  $V_{OUT} = V_{IN} - R_{DS(ON)P} * I_{OUT}$ , maximum  $V_{IN}$  is 5.25V.

**2:**  $V_{OUT}$  pin is forced biased with a voltage higher than the nominal  $V_{OUT}$  (device is not switching) at  $I_{OUT} = 0 \text{ mA}$ .  $I_{QIN}$  and  $I_{QOUT}$  are the device's current consumption at  $V_{IN}$  and  $V_{OUT}$  pins during Sleep periods. Device selects its bias from  $V_{IN}$  and/or  $V_{OUT}$ .

**3:** 330 $\Omega$  resistive load, 3.3V  $V_{OUT}$  (10 mA).

**4:** Determined by characterization, not production tested.

**5:** This is ensured by design.

## TEMPERATURE SPECIFICATIONS

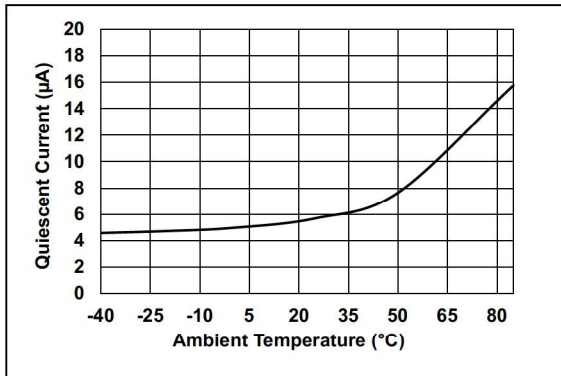
Parameters	Sym.	Min.	Typ.	Max.	Units	Conditions
<b>Temperature Ranges</b>						
Operating Temperature Range	$T_J$	-40	—	+125	$^\circ C$	Steady state
Storage Temperature Range	$T_A$	-65	—	+150	$^\circ C$	
Maximum Junction Temperature	$T_J$	—	—	+150	$^\circ C$	Transient
<b>Package Thermal Resistances</b>						
Thermal Resistance, 10-Lead MSOP	$\theta_{JA}$	—	71	—	$^\circ C/W$	
Thermal Resistance, 10-Lead 3 mm x 3 mm TDFN	$\theta_{JA}$	—	54	—	$^\circ C/W$	

# MCP1641X

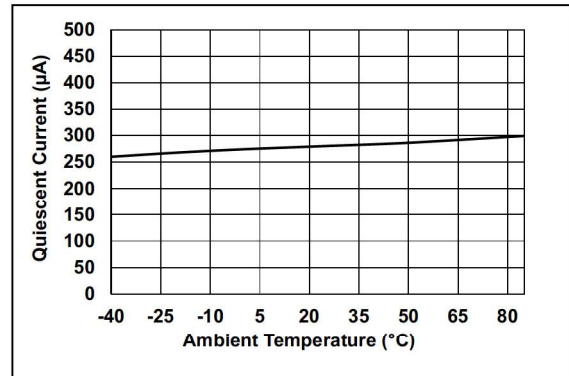
## 2.0 TYPICAL PERFORMANCE CURVES

**Note:** The graphs and tables provided following this note are a statistical summary based on a limited number of samples and are provided for informational purposes only. The performance characteristics listed herein are not tested or guaranteed. In some graphs or tables, the data presented may be outside the specified operating range (e.g., outside specified power supply range) and therefore outside the warranted range.

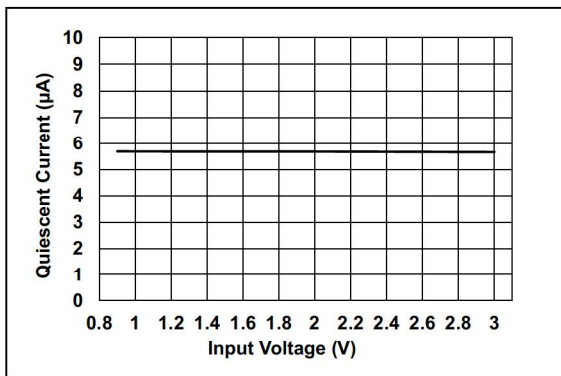
**Note:** Unless otherwise indicated,  $V_{IN} = EN = 1.2V$ ,  $C_{OUT} = C_{IN} = 10 \mu F$ ,  $L = 4.7 \mu H$ ,  $V_{OUT} = 3.3V$ ,  $I_{LOAD} = 10 mA$ ,  $T_A = +25^\circ C$ , 10-Lead MSOP Package, PFM/PWM Options = MCP16411/3/5/7, PWM Only Options = MCP16412/4/6/8.



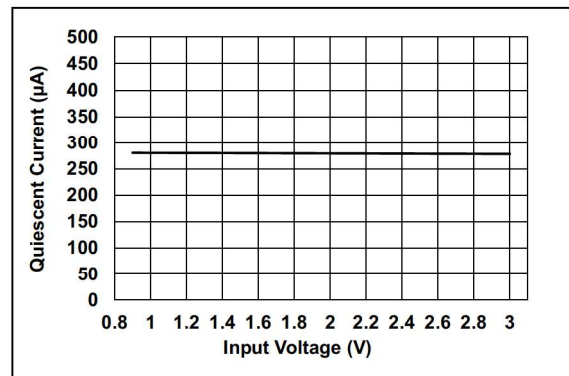
**FIGURE 2-1:**  $I_{QOUT}$  vs. Ambient Temperature, PFM/PWM Options.



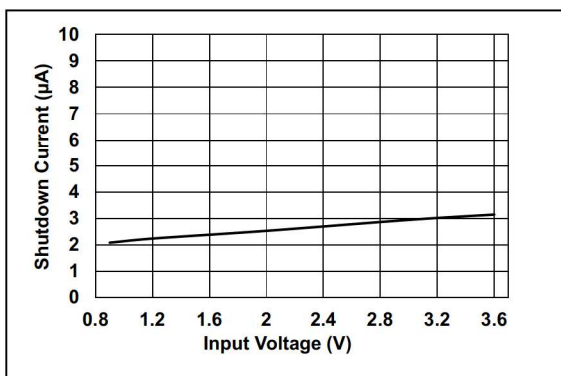
**FIGURE 2-4:**  $I_{QOUT}$  vs. Ambient Temperature, PWM Only Options.



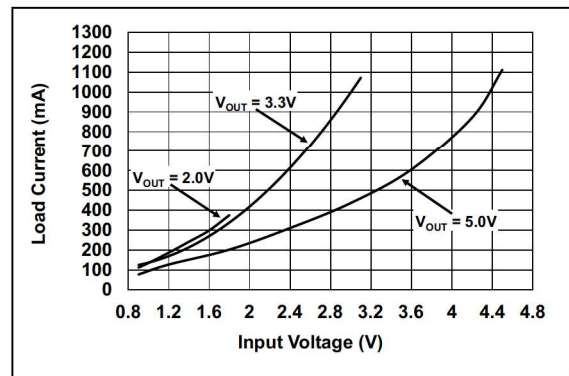
**FIGURE 2-2:**  $I_{QOUT}$  vs.  $V_{IN}$ , PFM/PWM Options.



**FIGURE 2-5:**  $I_{QOUT}$  vs.  $V_{IN}$ , PWM Only Options.

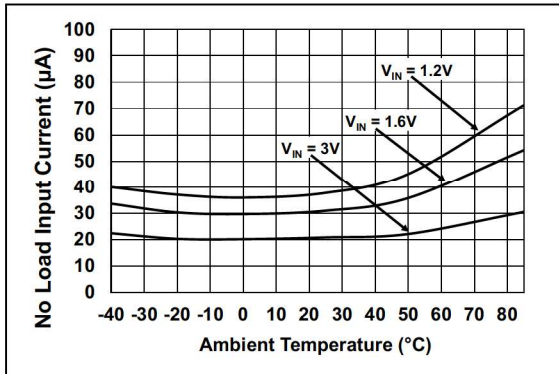


**FIGURE 2-3:** Shutdown Current vs.  $V_{IN}$ .

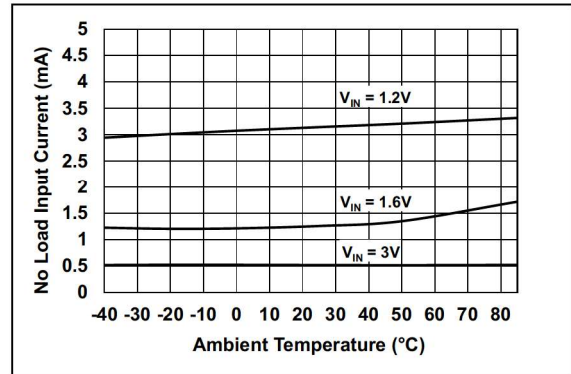


**FIGURE 2-6:** Maximum  $I_{OUT}$  vs.  $V_{IN}$ , after Start-up,  $V_{OUT}$  Maximum 5% below Regulation Point.

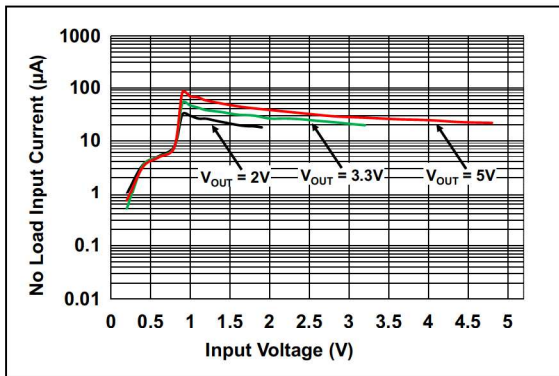
**Note:** Unless otherwise indicated,  $V_{IN} = EN = 1.2V$ ,  $C_{OUT} = C_{IN} = 10 \mu F$ ,  $L = 4.7 \mu H$ ,  $V_{OUT} = 3.3V$ ,  $I_{LOAD} = 10 mA$ ,  $T_A = +25^\circ C$ , 10-Lead MSOP Package, PFM/PWM Options = MCP16411/3/5/7, PWM Only Options = MCP16412/4/6/8.



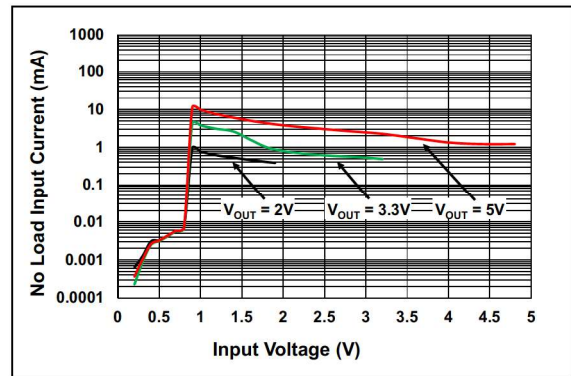
**FIGURE 2-7:** No Load Input Current vs. Ambient Temperature, PFM/PWM Options.



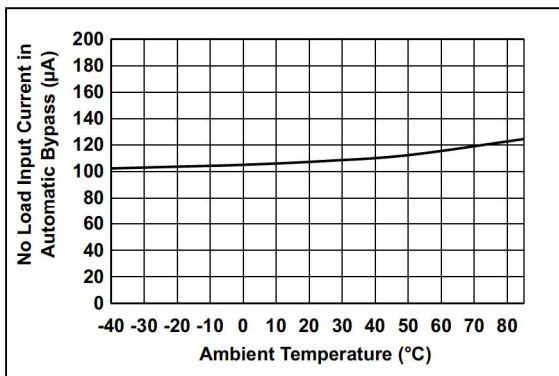
**FIGURE 2-10:** No Load Input Current vs. Ambient Temperature, PWM Only Options.



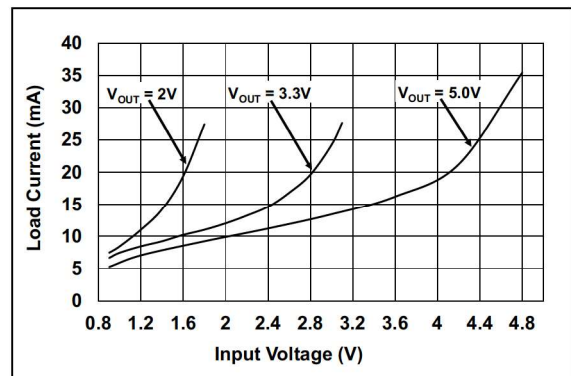
**FIGURE 2-8:** No Load Input Current vs.  $V_{IN}$ , PFM/PWM Options.



**FIGURE 2-11:** No Load Input Current vs.  $V_{IN}$ , PWM Only Options.



**FIGURE 2-9:** Automatic Bypass Mode – No Load Input Current vs. Ambient Temperature.

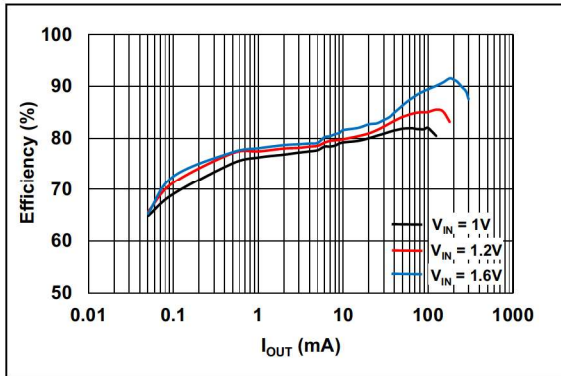


**FIGURE 2-12:** Average of PFM/PWM Threshold Current vs.  $V_{IN}$ .

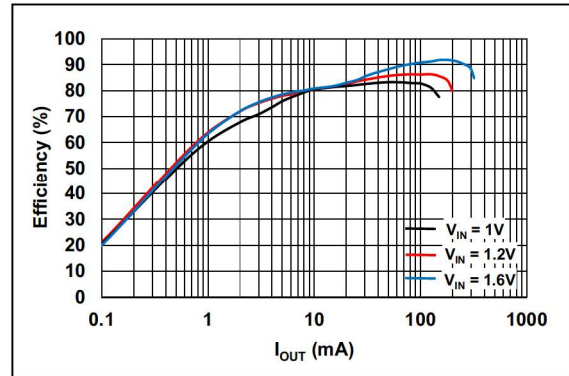


# MCP1641X

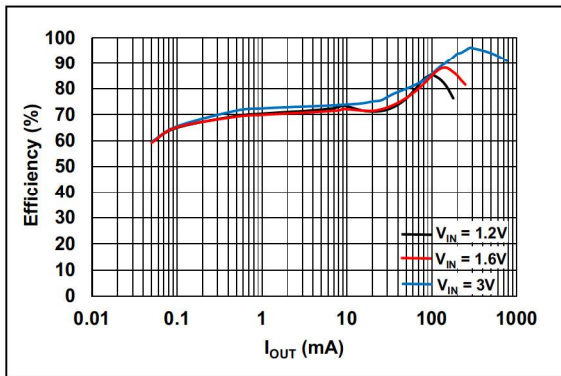
**Note:** Unless otherwise indicated,  $V_{IN} = EN = 1.2V$ ,  $C_{OUT} = C_{IN} = 10 \mu F$ ,  $L = 4.7 \mu H$ ,  $V_{OUT} = 3.3V$ ,  $I_{LOAD} = 10 mA$ ,  $T_A = +25^\circ C$ , 10-Lead MSOP Package, PFM/PWM Options = MCP16411/3/5/7, PWM Only Options = MCP16412/4/6/8.



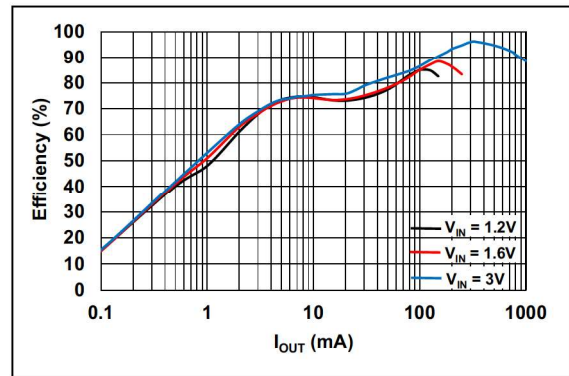
**FIGURE 2-13:** 2.0V  $V_{OUT}$ , Efficiency vs.  $I_{OUT}$ , PFM/PWM Options.



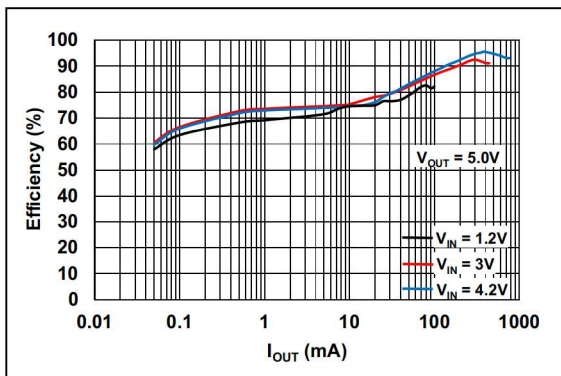
**FIGURE 2-16:** 2.0V  $V_{OUT}$ , Efficiency vs.  $I_{OUT}$ , PWM Only Options.



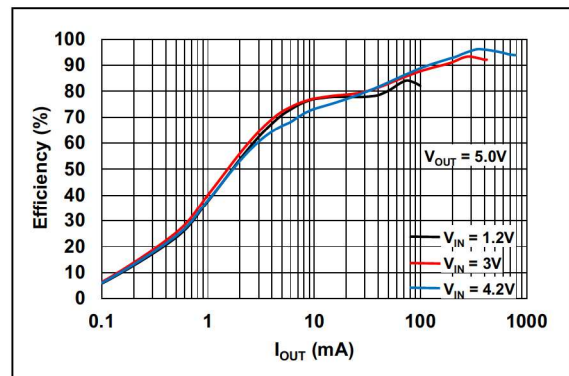
**FIGURE 2-14:** 3.3V  $V_{OUT}$ , Efficiency vs.  $I_{OUT}$ , PFM/PWM Options.



**FIGURE 2-17:** 3.3V  $V_{OUT}$ , Efficiency vs.  $I_{OUT}$ , PWM Only Options.



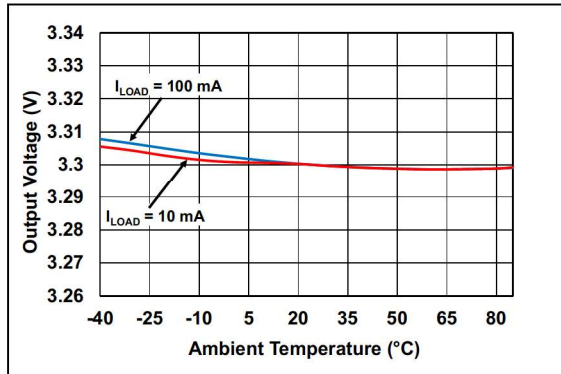
**FIGURE 2-15:** 5.0V  $V_{OUT}$ , Efficiency vs.  $I_{OUT}$ , PFM/PWM Options.



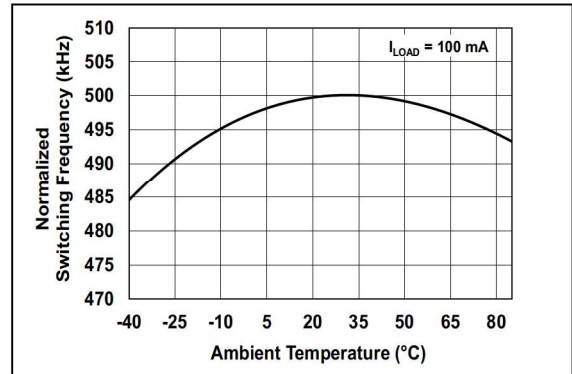
**FIGURE 2-18:** 5.0V  $V_{OUT}$ , Efficiency vs.  $I_{OUT}$ , PWM Only Options.

# MCP1641X

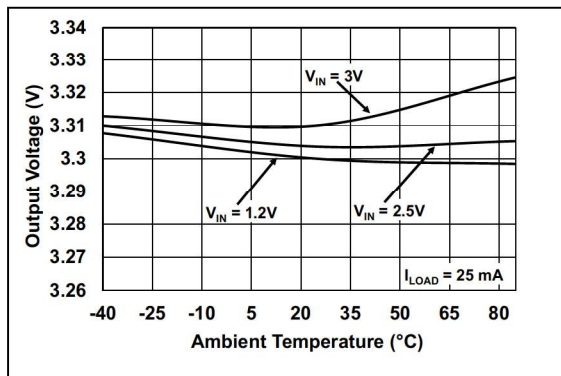
**Note:** Unless otherwise indicated,  $V_{IN} = EN = 1.2V$ ,  $C_{OUT} = C_{IN} = 10 \mu F$ ,  $L = 4.7 \mu H$ ,  $V_{OUT} = 3.3V$ ,  $I_{LOAD} = 10 mA$ ,  $T_A = +25^\circ C$ , 10-Lead MSOP Package, PFM/PWM Options = MCP16411/3/5/7, PWM Only Options = MCP16412/4/6/8.



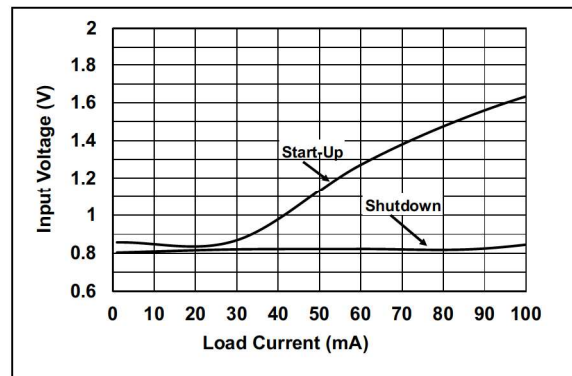
**FIGURE 2-19:** 3.3V  $V_{OUT}$  vs. Ambient Temperature.



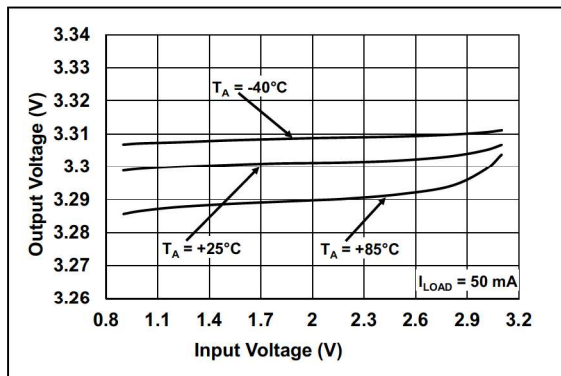
**FIGURE 2-22:** Normalized Switching Frequency vs. Ambient Temperature.



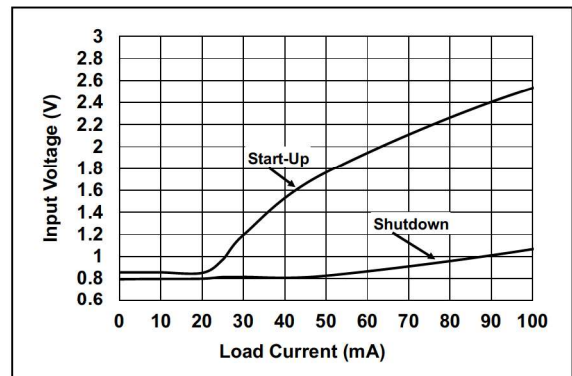
**FIGURE 2-20:** 3.3V  $V_{OUT}$  vs. Ambient Temperature.



**FIGURE 2-23:** 3.3V  $V_{OUT}$ , Minimum Start-up and Shutdown  $V_{IN}$  vs. Resistive Load.



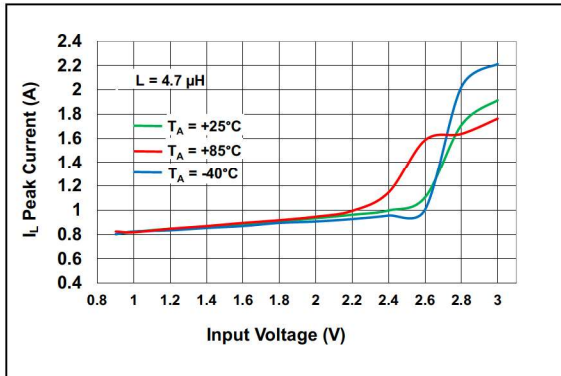
**FIGURE 2-21:** 3.3V  $V_{OUT}$  vs.  $V_{IN}$ .



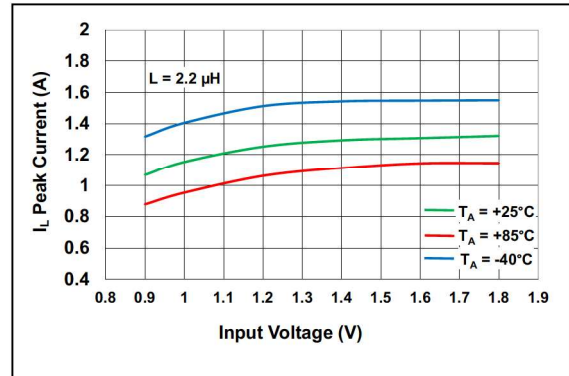
**FIGURE 2-24:** 5.0V  $V_{OUT}$ , Minimum Start-up and Shutdown  $V_{IN}$  vs. Resistive Load.

# MCP1641X

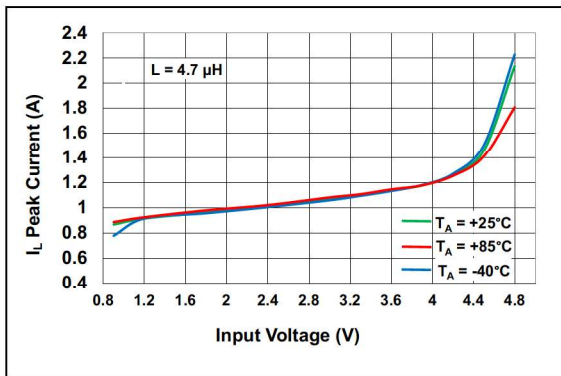
**Note:** Unless otherwise indicated,  $V_{IN} = EN = 1.2V$ ,  $C_{OUT} = C_{IN} = 10 \mu F$ ,  $L = 4.7 \mu H$ ,  $V_{OUT} = 3.3V$ ,  $I_{LOAD} = 10 mA$ ,  $T_A = +25^\circ C$ , 10-Lead MSOP Package, PFM/PWM Options = MCP16411/3/5/7, PWM Only Options = MCP16412/4/6/8.



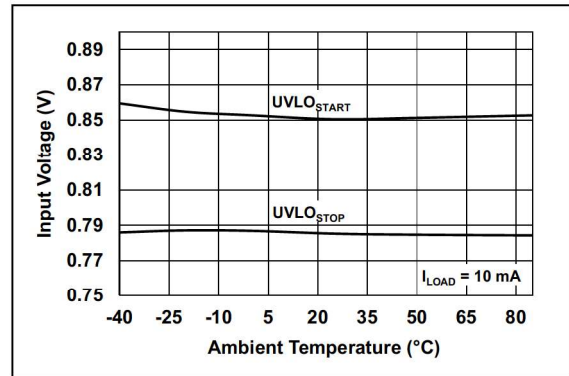
**FIGURE 2-25:** 3.3V  $V_{OUT}$ , Inductor Peak Current Limit vs.  $V_{IN}$ .



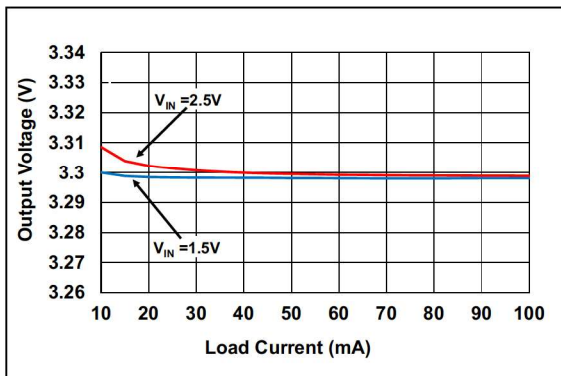
**FIGURE 2-28:** 2.0V  $V_{OUT}$ , Inductor Peak Current Limit vs.  $V_{IN}$ .



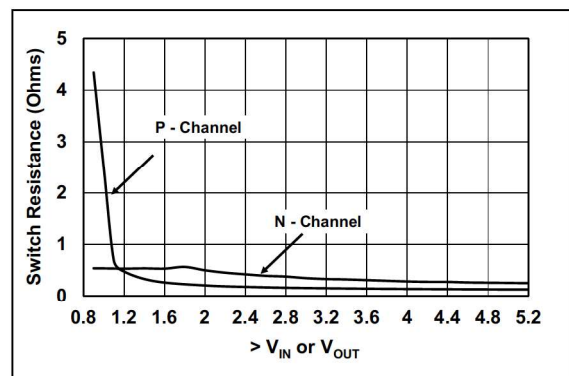
**FIGURE 2-26:** 5.0V  $V_{OUT}$ , Inductor Peak Current Limit vs.  $V_{IN}$ .



**FIGURE 2-29:**  $UVLO_{START}$  and  $UVLO_{STOP}$  vs. Ambient Temperature.



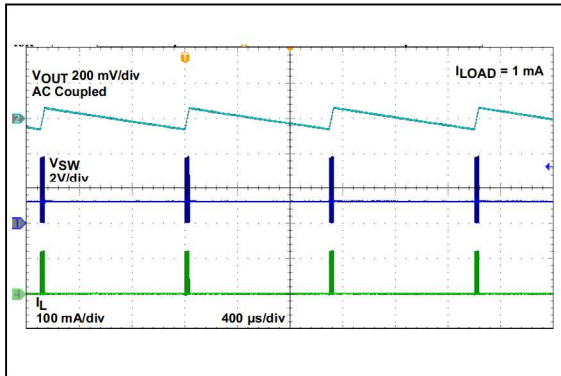
**FIGURE 2-27:** Load Regulation, PWM Only Options.



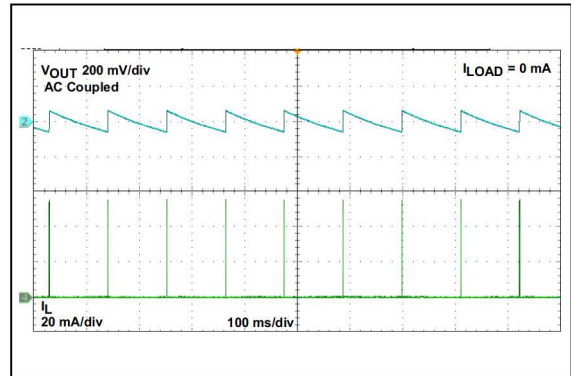
**FIGURE 2-30:** N-Channel and P-Channel,  $R_{DS(on)}$  vs.  $> V_{IN}$  or  $V_{OUT}$ .



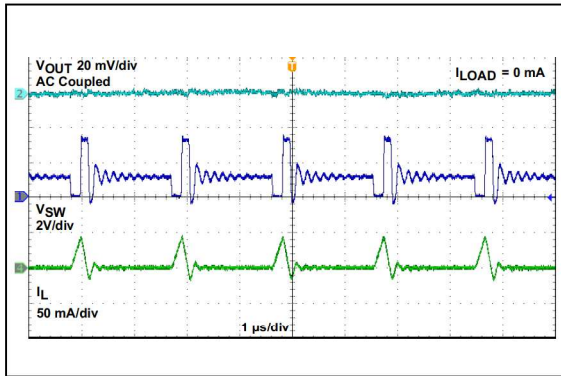
**Note:** Unless otherwise indicated,  $V_{IN} = EN = 1.2V$ ,  $C_{OUT} = C_{IN} = 10 \mu F$ ,  $L = 4.7 \mu H$ ,  $V_{OUT} = 3.3V$ ,  $I_{LOAD} = 10 mA$ ,  $T_A = +25^\circ C$ , 10-Lead MSOP Package, PFM/PWM Options = MCP16411/3/5/7, PWM Only Options = MCP16412/4/6/8.



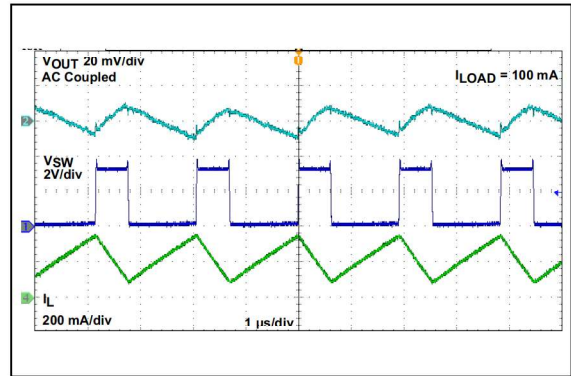
**FIGURE 2-31:** 3.3V  $V_{OUT}$ , PFM Mode Waveforms.



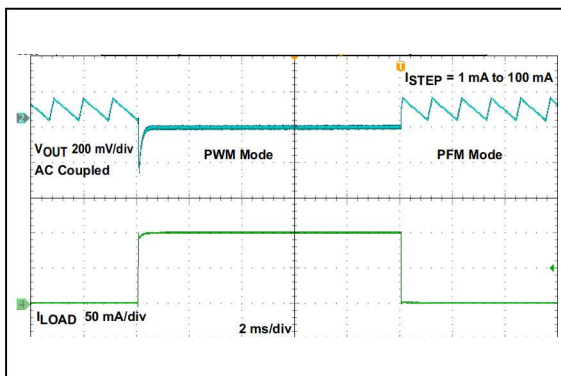
**FIGURE 2-34:** 3.3V  $V_{OUT}$ , No Load, PFM Mode Output Ripple.



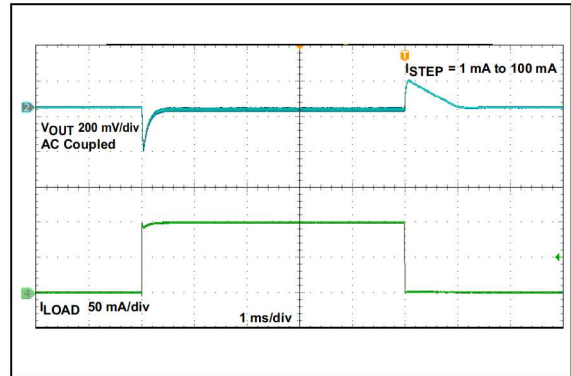
**FIGURE 2-32:** 3.3V  $V_{OUT}$ , No Load, PWM Mode Waveforms.



**FIGURE 2-35:** 3.3V  $V_{OUT}$ , PWM Mode Waveforms.



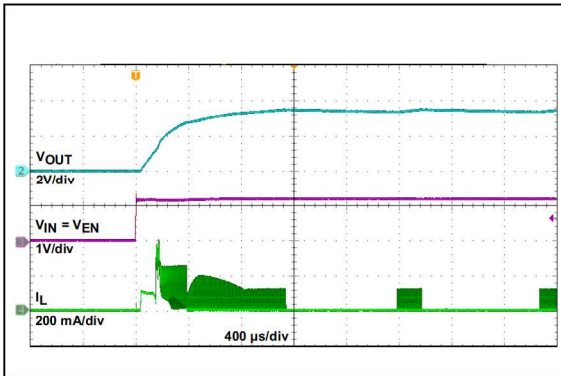
**FIGURE 2-33:** 3.3V  $V_{OUT}$ , Load Transient Waveforms, PFM/PWM Options.



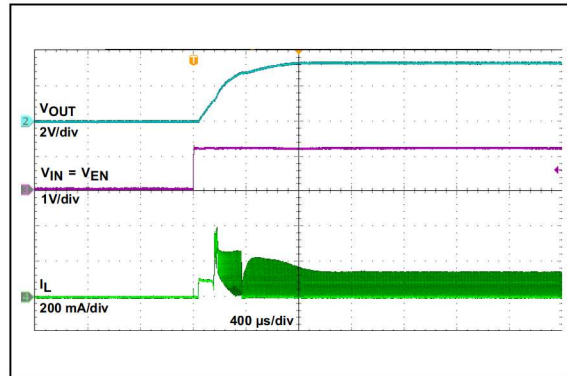
**FIGURE 2-36:** 3.3V  $V_{OUT}$ , Load Transient Waveforms, PWM Only Options.

# MCP1641X

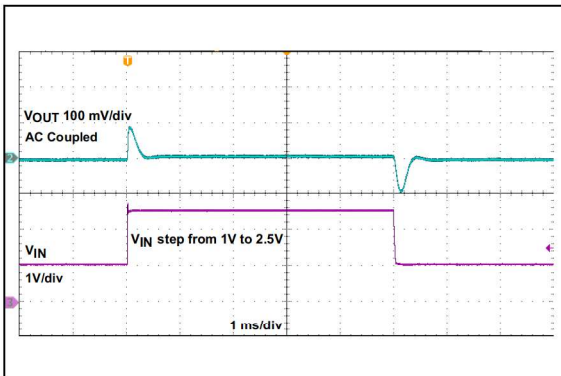
**Note:** Unless otherwise indicated,  $V_{IN} = V_{EN} = 1.2V$ ,  $C_{OUT} = C_{IN} = 10 \mu F$ ,  $L = 4.7 \mu H$ ,  $V_{OUT} = 3.3V$ ,  $I_{LOAD} = 10 mA$ ,  $T_A = +25^\circ C$ , 10-Lead MSOP Package, PFM/PWM Options = MCP16411/3/5/7, PWM Only Options = MCP16412/4/6/8.



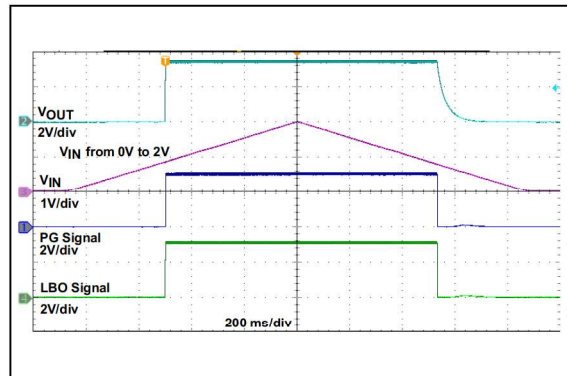
**FIGURE 2-37:** 3.3V  $V_{OUT}$ , Start-up from  $V_{IN}$ , PFM/PWM Options.



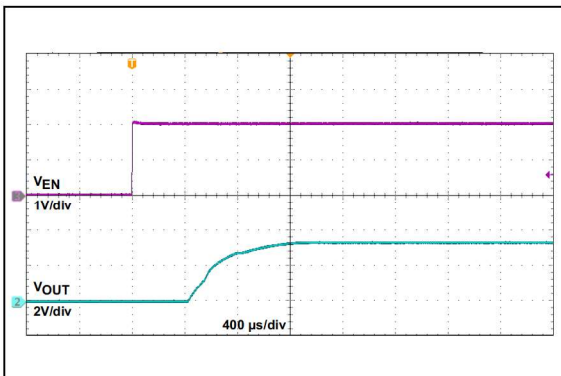
**FIGURE 2-40:** 3.3V  $V_{OUT}$ , Start-up from  $V_{IN}$ , PWM Only Options.



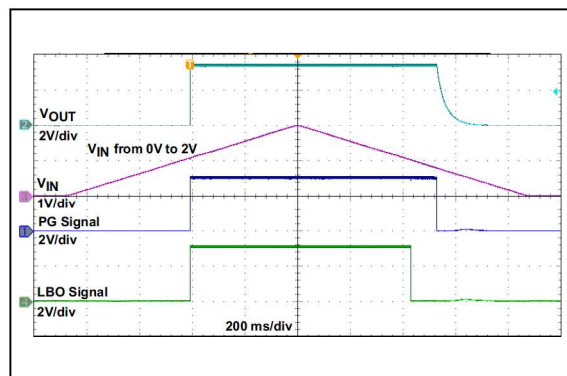
**FIGURE 2-38:** 3.3V  $V_{OUT}$ , Line Transient Waveforms.



**FIGURE 2-41:** 3.3V  $V_{OUT}$ , UVLO Connected to  $V_{IN}$ .

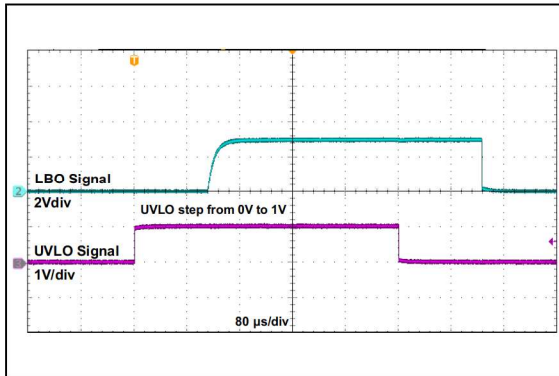


**FIGURE 2-39:** 3.3V  $V_{OUT}$ , Start-up after Enable.

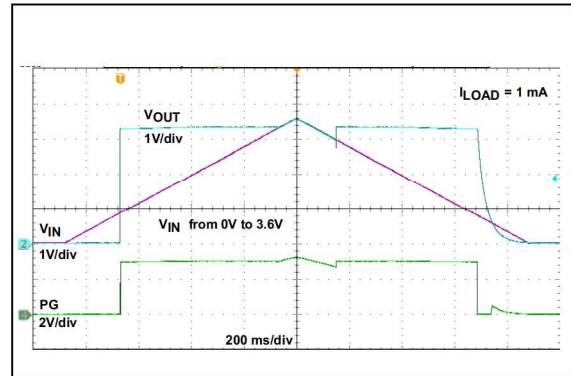


**FIGURE 2-42:** 3.3V  $V_{OUT}$ , UVLO Set for 1.1V.

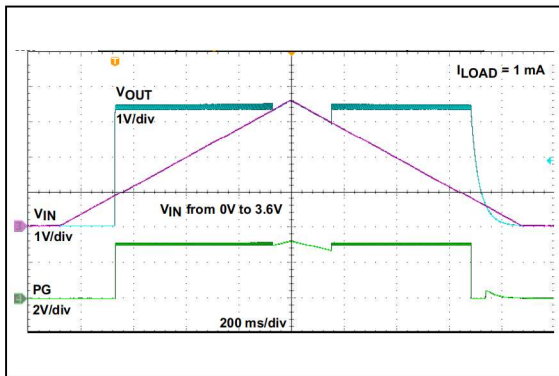
**Note:** Unless otherwise indicated,  $V_{IN} = EN = 1.2V$ ,  $C_{OUT} = C_{IN} = 10 \mu F$ ,  $L = 4.7 \mu H$ ,  $V_{OUT} = 3.3V$ ,  $I_{LOAD} = 10 \text{ mA}$ ,  $T_A = +25^\circ C$ , 10-Lead MSOP Package, PFM/PWM Options = MCP16411/3/5/7, PWM Only Options = MCP16412/4/6/8.



**FIGURE 2-43:** 3.3V  $V_{OUT}$ , LBO Delay and Response Time.



**FIGURE 2-45:** 3.3V  $V_{OUT}$ , Boost to Automatic Bypass Transitions, PWM Only Options.



**FIGURE 2-44:** 3.3V  $V_{OUT}$ , Boost to Automatic Bypass Transitions, PFM/PWM Options.



# MCP1641X

---

---

## 3.0 PART NUMBER SELECTION

TABLE 3-1: DEVICE OPTIONS

Part Number	EN Pin Shutdown Option	Switching Mode Option	PGT/PG Pin Option
MCP16411	Output Discharge	PFM/PWM	Power Good and Die Overtemperature Output
MCP16412	Output Discharge	PWM Only	Power Good and Die Overtemperature Output
MCP16413	In-Out Bypass	PFM/PWM	Power Good and Die Overtemperature Output
MCP16414	In-Out Bypass	PWM Only	Power Good and Die Overtemperature Output
MCP16415	Output Discharge	PFM/PWM	Power Good Output
MCP16416	Output Discharge	PWM Only	Power Good Output
MCP16417	In-Out Bypass	PFM/PWM	Power Good Output
MCP16418	In-Out Bypass	PWM Only	Power Good Output

## 4.0 PIN DESCRIPTIONS

The descriptions of the pins are listed in [Table 4-1](#).

**TABLE 4-1: PIN FUNCTION TABLE**

MCP1641X 10-Lead MSOP	MCP1641X 10-Lead 3 mm x 3 mm TDFN	Symbol	Description
1	1	UVLO	Undervoltage Lockout (0.485V internal reference) and Input Pin for Low Battery Output (LBO) Voltage Comparator
2	2	LBO	Open-Drain Low Battery Comparator Output Pin
3	3	PGT, PG	Open-Drain Power Good and Die Overtemperature Comparators Output Pin. Only MCP16411/2/3/4 devices have both functions implemented on the same pin, PGT. See <a href="#">Table 3-1</a> for device options.
4	4	V <sub>FB</sub>	Feedback Voltage Pin, 0.97V Reference Voltage
5	5	V <sub>OUT</sub>	Output Voltage Pin
6	6	SW	Switch Node, Boost Inductor Pin
7	7	P <sub>GND</sub>	Power Ground Pin
8	8	S <sub>GND</sub>	Signal Ground Pin
9	9	V <sub>IN</sub>	Input Voltage Pin
10	10	EN	Enable Control Input Pin. The device is in shutdown if EN is pulled to GND.
—	11	EP	Exposed Thermal Pad (3x3 TDFN only); must be connected to P <sub>GND</sub> and S <sub>GND</sub> .

### 4.1 Undervoltage Lockout Input Pin (UVLO), Input for Low-Voltage Output Comparator

The UVLO and low battery comparator input use an internal 485 mV reference. Connect the UVLO pin to the V<sub>IN</sub> pin for default start-up threshold of 0.85V. The device stops switching at 0.8V typical input voltage. Connect an external resistive divider to this pin to increase the UVLO<sub>START</sub> threshold. When the battery voltage or V<sub>IN</sub> is ramping down to the programmed threshold, the LBO output pin will be asserted low.

### 4.2 Low Battery Output Pin (LBO)

Open-drain output which shows a low-level warning signal if the UVLO pin detects a battery level below the 485 mV threshold. If no external divider on the UVLO pin is used (UVLO = V<sub>IN</sub>), low battery detection is ineffective.

### 4.3 Power Good and Die Overtemperature Pin (PGT)

The Power Good and Die Overtemperature (PGT) pin is an open-drain output which can be connected to V<sub>OUT</sub> by the means of a pull-up resistor. The pin switches to a low level when V<sub>OUT</sub> drops below 10% of its nominal value or the internal die's temperature sensor detects a value which is higher than 75°C, typically.

The MCP16415/6/7/8 devices have only the Power Good function implemented – PG pin (see [Table 3-1](#) for the device options).

### 4.4 Feedback Voltage Pin (V<sub>FB</sub>)

The V<sub>FB</sub> pin is used to provide output voltage regulation by using a resistive divider network. The feedback voltage is typically 0.97V.

# MCP1641X

---

## 4.5 Output Voltage Pin ( $V_{OUT}$ )

The output voltage pin connects the synchronous integrated P-Channel MOSFET to the output capacitor. The resistive divider network from FB is also connected to the  $V_{OUT}$  pin for voltage regulation.

## 4.6 Switch Node Pin (SW)

Connect the inductor from the input voltage to the SW pin. The SW pin carries inductor current which can be as high as 1A, typically. The integrated N-Channel switch drain and integrated P-Channel switch source are internally connected at the SW node.

## 4.7 Power Ground Pin ( $P_{GND}$ )

The power ground pin is used as a return for the high-current N-Channel switch. The  $P_{GND}$  and  $S_{GND}$  pins are connected externally.

## 4.8 Signal Ground Pin ( $S_{GND}$ )

The signal ground pin is used as a return for the integrated  $V_{REF}$  and error amplifier. The  $S_{GND}$  and power ground ( $P_{GND}$ ) pins are connected externally.

## 4.9 Power Supply Input Voltage Pin ( $V_{IN}$ )

Connect the input voltage source to  $V_{IN}$ . A local bypass capacitor is required. The input source should be decoupled to GND with a 10  $\mu$ F minimum capacitor.

## 4.10 Enable Pin (EN)

The EN pin is an input of a Schmitt Trigger circuit used to enable or disable the device's switching. While the EN pin is low (EN = GND), the device is in Shutdown mode – output discharge or input to output bypass (see [Table 3-1](#)), and consumes low quiescent current, 2.3  $\mu$ A, typically. A logic high (>82% of  $V_{IN}$ ) will enable the boost converter output. A logic low (<25% of  $V_{IN}$ ) will ensure that the boost converter is disabled. Do not allow this pin to float.

## 4.11 Exposed Thermal Pad (EP)

There is no internal electrical connection between the Exposed Thermal Pad (EP), and the  $S_{GND}$  and  $P_{GND}$  pins. They must be connected to the same electric potential on the Printed Circuit Board (PCB).



## 5.0 DEVICE OVERVIEW

### 5.1 Introduction

The MCP1641X is a low-voltage, step-up converter with battery monitoring features. The MCP1641X delivers high efficiency over a wide range of inputs: single-cell, two-cell, alkaline/NiMH batteries or single-cell Li-Ion/Li-Polymer batteries can be used.

A high level of integration lowers total system cost, eases implementation and reduces BOM and board area.

This family of devices feature low quiescent current, a programmable start-up voltage ( $UVLO_{START}$ ), low battery indication, adjustable output voltage, dual modes of operation – PFM/PWM and PWM Only, integrated synchronous switch, internal compensation, low noise anti-ringing control, inrush current limit and soft start.

A new battery friendly feature for the Microchip's step-up converters family is the automatic input-to-output voltage bypass. This function helps optimizing the battery's capacity usage and keeps efficiency high and noise low for a narrow step-up conversion ratio (e.g., two fresh alkaline cells powering a boost converter for a 3.0V or 3.3V output voltage). With automatic transition from input-to-output bypass to Boost mode operation and low noise anti-ringing control circuitry, in addition to the PWM Only switching, the MCP1641X devices offer a good low noise DC-DC solution for compact battery-powered systems.

An additional safety feature while powering the converter from batteries is the monitoring of its internal temperature. An output pin (PGT) provides an error signal if the temperature of the die exceeds 75°C.

There are two shutdown options for the MCP1641X family: Output Discharge and Input-to-Output Bypass.

### 5.2 MCP1641X Options

A summary of the device options is presented in [Table 3-1](#).

#### 5.2.1 PFM/PWM OPERATION

The MCP16411/3/5/7 devices use an automatic switchover from PWM to PFM mode for light load conditions, to maximize efficiency over a wide range of output current.

The PFM mode operation has a higher output ripple voltage and variable frequency compared to the PWM mode.

#### 5.2.2 PWM ONLY OPERATION

During periods of light load operation, these devices continue to operate at a fixed 500 kHz switching frequency, allowing pulse skipping.

The MCP16412/4/6/8 devices disable PFM mode switching and operate only in PWM mode over the entire load range.

#### 5.2.3 OUTPUT DISCHARGE SHUTDOWN OPTION

The MCP16411/2/5/6 devices incorporate an output auto-discharge feature. While in shutdown, the MCP16411/2/5/6 will automatically discharge the output capacitor using an internal N-Channel MOSFET switch.

The capacitors connected to the output are discharged by an integrated switch of 150-200Ω. The discharge time depends on the total output capacitance.

During this mode, the output of the MCP16411/2/5/6 is totally disconnected from the input by turning off the integrated P-Channel switch and removing the switch bulk diode connection. This removes the DC path, which is typically present in boost converters and which allows the output to be disconnected from the input. While in this mode, a low quiescent current, 2.3 μA, typically, is consumed from the input (battery).

#### 5.2.4 INPUT-TO-OUTPUT BYPASS SHUTDOWN OPTION

The MCP16413/4/7/8 devices incorporate the input-to-output bypass shutdown option. With the EN input pulled low, the output is connected to the input using the internal P-Channel MOSFET.

In this mode, the current drawn from the input (battery) is 2.3 μA, typically, with no load. The Input-to-Output Bypass mode is used when the input voltage range is high enough for the load to operate in Standby or Low  $I_Q$  mode (e.g., a microcontroller). When a higher regulated output voltage is necessary to operate the application, the EN input is pulled high, boosting the output to the regulated value.

#### 5.2.5 POWER GOOD AND DIE OVERTEMPERATURE (PGT PIN OPTION)

The MCP16411/2/3/4 devices offer a combined Output Power Good and Die Overtemperature signal to the PGT pin.

Pin switches to low level when either:

- The output voltage drops below 10% of its nominal value, with 5% hysteresis, or
- The IC works at a temperature which is higher than 75°C.

#### 5.2.6 POWER GOOD (PG PIN OPTION)

The MCP16415/6/7/8 devices offer only a Power Good output signal to the PG pin, which switches low when the output voltage drops below 10% of  $V_{OUT}$  nominal and resumes at 95% of  $V_{OUT}$  nominal.

# MCP1641X

## 5.3 Functional Description

The MCP1641X is a compact, high-efficiency, fixed frequency, synchronous step-up DC-DC converter with programmable UVLO start-up, low battery detection and output discharge, that provides an easy-to-use power supply solution for applications powered from batteries. Figure 5-1 depicts the functional block diagram of the MCP1641X. It incorporates a Current-mode control scheme, in which the PWM ramp signal is derived from the NMOS power switch current ( $I_{SENSE}$ ).

This ramp signal adds to the slope compensation signal and then is compared to the output of the error amplifier ( $V_{ERR}$ ) to control the on-time of the power switch. In addition, several voltage comparators (PG, UVLO internal overtemperature and LBO) protect the converter from heretical operation and overheating, as well as the battery from overdischarging and risk of leakage.

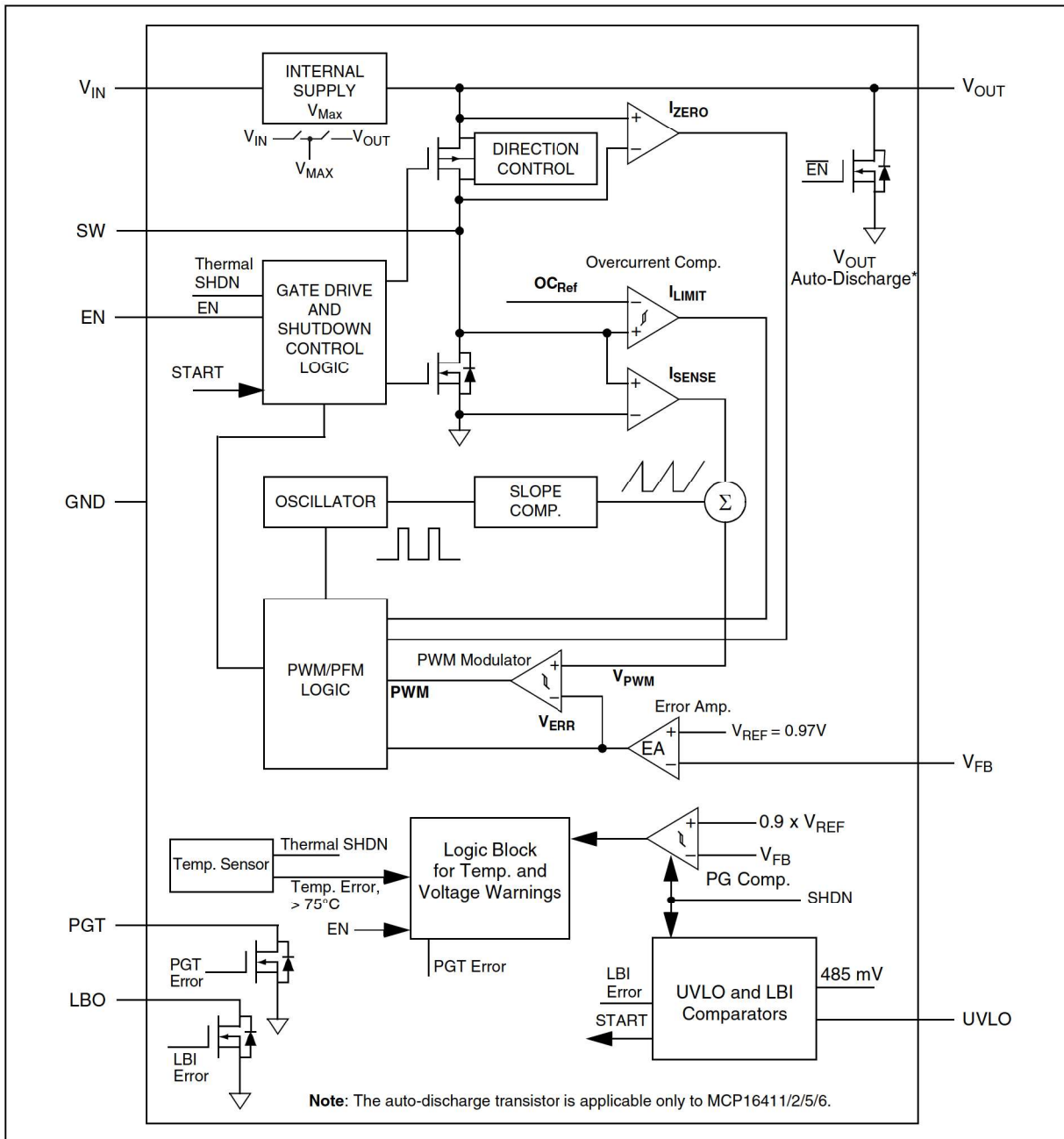


FIGURE 5-1: MCP1641X Functional Block Diagram.



## 5.3.1 INTERNAL BIAS

The MCP1641X devices get their start-up bias from  $V_{IN}$ . The  $V_{IN}$  bias is used to power the device and drive circuits over the entire operating range. During normal operation, the internal  $V_{MAX}$  comparator selects the highest voltage rail between  $V_{IN}$  and  $V_{OUT}$  to optimize operation and reduce power consumption. Once the output exceeds the input, bias comes from the output. The internal voltage reference of 485 mV is powered from input voltage all the time. A voltage amplifier buffers and multiplies the reference to 0.97V for the FB input of the error amplifier. Once the UVLO comparator triggers the start-up, the internal control loop will keep the output in regulation while  $V_{IN}$  ramps down to 0.8V ( $UVLO_{STOP}$ ).

## 5.3.2 LOW-VOLTAGE START-UP

The MCP1641X is capable of starting from a low input voltage. Start-up voltage is well controlled by the UVLO circuitry, which uses the 485 mV voltage reference. The default start-up value is 0.85V typically. The  $UVLO_{START}$  threshold can be programmed by using an external resistive divider connected to the UVLO pin. This input also serves as a low battery input.

When the device is enabled (EN set high) and the input voltage is higher than 0.85V typical, the internal start-up logic turns on the rectifying P-Channel switch until the output capacitor is charged to a value close to the input voltage. This is commonly called output pre-charging phase and the rectifying switch limits the current during this time. Pre-charge current varies and increases with  $V_{IN}$ . Pre-charge current starts from 25 mA for low input voltage and increases up to 250 mA or more near the maximum limit of  $V_{IN}$ .

After the output capacitor is charged to the input voltage, the device starts switching and runs in open loop, with limited inductor peak current, at approximately 30-40% of its nominal value. Once the output voltage ramps up to 60-70% of the nominal, the normal closed-loop operation is initiated.

## 5.3.3 UNDERVOLTAGE LOCKOUT (UVLO)

The internal UVLO comparator input uses the 485 mV voltage reference to compare it with the battery input voltage. If the UVLO input is tied to  $V_{IN}$ , the comparator enables the converter at 0.85V typical input voltage. If a different  $UVLO_{START}$  voltage is desired, a resistive divider must be connected to the UVLO pin.

The  $UVLO_{STOP}$  threshold is set internally to 0.8V.

## 5.3.4 PFM/PWM OPERATION

The MCP16411/3/5/7 devices use an automatic switchover from PWM to PFM mode, for light load conditions, to maximize efficiency over a wide range of output current. During PFM mode, a controlled peak current limit is used to pump the output up to the threshold. While operating in PFM or PWM mode, the P-Channel switch is used as a synchronous rectifier, turning off when the inductor current reaches 0 mA, in order to maximize efficiency.

In PFM mode, a voltage comparator is used to terminate switching when the output voltage reaches an upper threshold limit. Once switching has terminated, the output voltage will decay or coast down. During this period, which is usually called Sleep period, a very low current is consumed from the input source, which keeps power efficiency high at light load.

The PFM mode frequency is a function of input voltage, output voltage and load. While in PFM mode, the boost converter periodically pumps the output with a fixed switching frequency of 500 kHz. The value of the output capacitor changes the low-frequency component ripple. The device itself is powered from the output and consumes 5  $\mu$ A, typically.

PFM operation is initiated if the output load current falls below an internally programmed threshold. The output voltage is continuously monitored; when the output voltage drops below its nominal value, PFM operation pulses one or several times to bring the output back into regulation. If the output load current rises above the upper threshold, the MCP16411/3/5/7 will enter smoothly into the PWM mode.

Figure 2-12 represents the input voltage versus load current for the PFM to PWM threshold.

## 5.3.5 PWM ONLY OPERATION

In normal PWM Operation mode, the MCP16412/4/6/8 operate as a fixed frequency, synchronous boost converter. The switching frequency is internally maintained with a precision oscillator, which is typically set to 500 kHz.

At light loads, the MCP16412/4/6/8 devices begin to skip pulses. By operating in PWM Only mode, the output ripple remains low and the frequency is constant. Operating in Fixed PWM mode results in low efficiency during light load operation, but with the advantage of low output ripple and noise for the supplied load. Lossless current sensing converts the peak current signal to a voltage to sum it with the internal slope compensation. This summed signal is compared with the voltage error amplifier output to provide a peak current control command for the PWM signal. The converter provides the proper amount of slope compensation to ensure stability. The peak current limit is set to 1A, typically.



# MCP1641X

## 5.3.6 LOW NOISE OPERATION

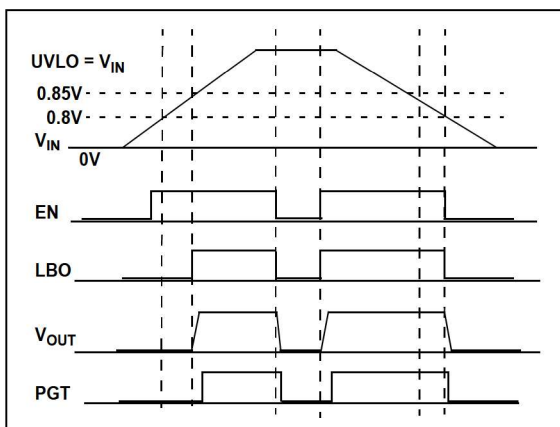
The MCP1641X integrates a low noise anti-ringing switch that damps the oscillations observed at the switch node of the boost converter. This method reduces the noise spread when operating at light loads in Discontinuous Inductor Current mode (DCM).

## 5.3.7 INTERNAL COMPENSATION

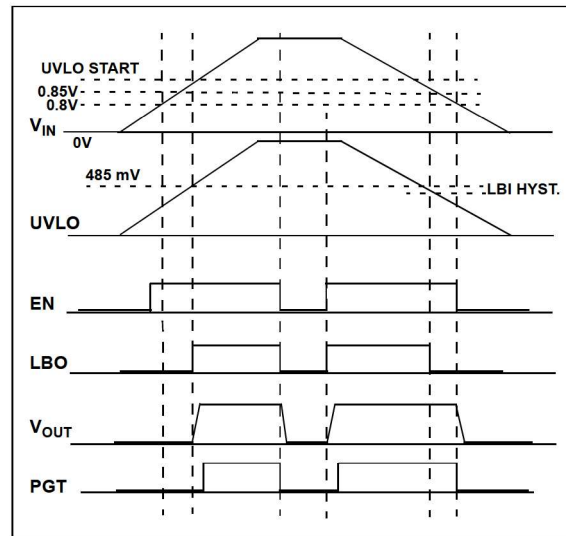
The error amplifier (a transconductance type), with its associated compensation network, completes the closed-loop system, by comparing the output voltage ( $V_{FB}$  pin) to a reference at the input of the error amplifier, and feeding the amplified and inverted signal to the control input of the inner current loop. The compensation network provides phase leads and lags at appropriate frequencies to cancel the excessive phase lags and leads of the power circuit. All necessary compensation components and slope compensation are integrated.

## 5.3.8 LOW BATTERY DETECTION

The LBO pin is connected to the output of the Low Battery Input (LBI) comparator to warn if the input voltage is low or the UVLO pin level is below the 485 mV trip point. The LBI comparator is active only when the device is active (EN is high), after the start-up sequence ends. The LBI comparator acts only during the  $V_{IN}$  down slope (e.g., battery is discharging). There is a hysteresis of 20 mV, typically, between the  $UVLO_{START}$  and LBI thresholds. After the LBO output pin is asserted low for low battery, the boost converter will continue to operate down to 0.8V ( $UVLO_{STOP}$ ). In order to get a valid LBO signal, the input voltage must be lower for more than 150  $\mu$ s (see Figure 5-2). This blanking time eliminates false triggering of the LBI comparator due to voltage transients.



**FIGURE 5-2:** UVLO and LBO Behavior ( $UVLO$  pin connected to  $V_{IN}$  pin).



**FIGURE 5-3:** UVLO and LBO Behavior ( $UVLO$  pin connected to a resistive divider to program the  $UVLO_{START}$  value).

## 5.3.9 POWER GOOD AND DIE OVERTEMPERATURE SYSTEM RESPONSE

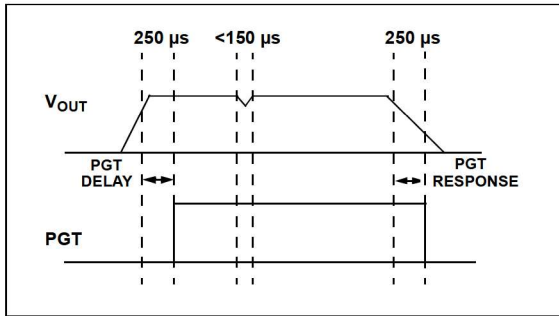
The PGT is an open-drain output pin, a mixed Power Good and Die Overtemperature function, which works as a general error pin if one of the following events occurs:

- $V_{OUT}$  is below 90% of regulated value; there is a 5% hysteresis. It resumes when  $V_{OUT}$  gets back to 95% of its nominal value. A 250 microsecond delay is needed for a valid signal (see Figure 5-4).
- Device's temperature is higher than 75°C (only for MCP16411/2/3/4 devices; see Table 3-1). This feature can be pre-programmed by customer request (in the 55°C-85°C range, with 10°C increments).

**Note:** Contact your regional sales office for more details.

The open-drain transistor allows interfacing the PGT pin with an MCU I/O port. It can sink up to 2 mA from the power line with the pull-up resistor connected. The PGT signal is generated (comparator active) only if the device is active (EN = high).

The device's overtemperature protection feature helps in any case of overload or other Fault conditions that generate the heating of the device or its proximity (e.g., PCB area), preventing the end equipment from overheating or melting.

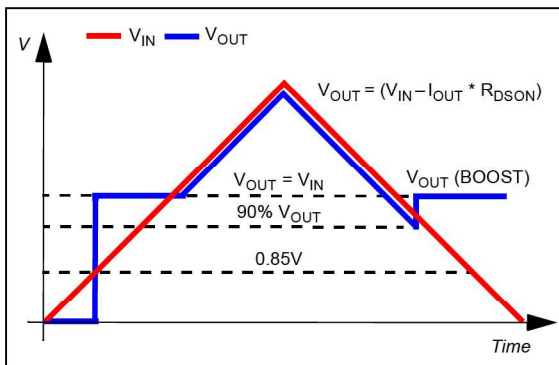


**FIGURE 5-4:** PGT Output Response.

### 5.3.10 AUTOMATIC INPUT-TO-OUTPUT BYPASS MODE

The MCP1641X features Automatic Input-to-Output Bypass mode if  $V_{IN}$  is close to the selected  $V_{OUT}$  or higher. In this situation,  $V_{OUT}$  will track  $V_{IN}$ , which is “bypassed” to the output through the synchronous P-Channel MOSFET. The device will resume boost mode if  $V_{OUT}$  gets down to approximately 90% of the target regulation voltage.

This function has the advantage of offering a highly efficient Conversion mode while the battery is fresh, which translates into better battery utilization. This mode of operation also removes the high output ripple and noise, which is usually present in boost converters during operation when the value of the input is very close to the desired output voltage (where the switching duty cycle is minimum and limited). This mode is recommended for noise-sensitive power rail applications (e.g., audio, LCD displays). The disadvantage is that the output is not regulated in this range, but equal with battery voltage, minus a drop on the synchronous P-MOS ( $I_{OUT} * R_{DS(on)}$ ) rectifier.



**FIGURE 5-5:** Automatic Boost-Bypass Transition.

### 5.3.11 ENABLE

The MCP1641X devices are enabled when the EN pin is set high and are disabled when the EN pin is set low (Shutdown mode). The enable threshold voltage varies with the input voltage. To enable the boost converter, the EN voltage level must be greater than 82% of the  $V_{IN}$  voltage. To disable the boost converter, the EN voltage must be less than 25% of the  $V_{IN}$  voltage.

In Shutdown Mode, a low quiescent current, 2.3  $\mu\text{A}$ , typically, is consumed from the input (battery).

### 5.3.12 SHORT-CIRCUIT PROTECTION

Unlike most boost converters, the MCP1641X allows its output to be shorted during normal operation. The 1A (typically) internal current limit and thermal shutdown reduce excessive stress and protect the device during periods of short circuit, overcurrent and overtemperature.

### 5.3.13 INPUT OVERCURRENT LIMIT

The MCP1641X devices use a 1A (typically) cycle-by-cycle inductor peak current limit to protect the N-Channel switch. There is an overcurrent comparator which resets the driving latch when the peak of the inductor current reaches the limit. In current limitation, the output voltage starts dropping. To assure highest load current operation, by design the current limit is higher than typical for input voltage close to the output voltage's value.

### 5.3.14 THERMAL SHUTDOWN

Thermal shutdown circuitry is integrated in the MCP1641X devices. This circuitry monitors the device's junction temperature and shuts off the output if the junction temperature exceeds the typical +140°C value. If this threshold is exceeded, the device will automatically restart once the junction temperature drops by 10°C, typically.



# MCP1641X

## 6.0 APPLICATION INFORMATION

The MCP1641X synchronous boost converter operates over a wide input and output voltage range. The power efficiency is high for several decades of load range. The output current capability increases with the input voltage and decreases with the output voltage. The maximum output current is based on the N-Channel peak current limit. [Section 2.0 “Typical Performance Curves”](#) displays the typical output current capability.

### 6.1 Adjustable Output Voltage Calculations

To calculate the resistive divider values for the MCP1641X, use [Equation 6-1](#), where  $R_{TOP}$  is connected to  $V_{OUT}$ ,  $R_{BOT}$  is connected to GND, and both  $R_{TOP}$  and  $R_{BOT}$  are connected to the  $V_{FB}$  input pin.

#### EQUATION 6-1:

$$R_{TOP} = R_{BOT} \times \left( \frac{V_{OUT}}{V_{FB}} - 1 \right)$$

#### EXAMPLE 1:

$$\begin{aligned} V_{OUT} &= 1.8V \\ V_{FB} &= 0.97V \\ R_{BOT} &= 360 \text{ k}\Omega \\ R_{TOP} &= 309 \text{ k}\Omega \end{aligned}$$

#### EXAMPLE 2:

$$\begin{aligned} V_{OUT} &= 2.0V \\ V_{FB} &= 0.97V \\ R_{BOT} &= 360 \text{ k}\Omega \\ R_{TOP} &= 383 \text{ k}\Omega \end{aligned}$$

#### EXAMPLE 3:

$$\begin{aligned} V_{OUT} &= 3.3V \\ V_{FB} &= 0.97V \\ R_{BOT} &= 360 \text{ k}\Omega \\ R_{TOP} &= 866 \text{ k}\Omega \end{aligned}$$

#### EXAMPLE 4:

$$\begin{aligned} V_{OUT} &= 5.0V \\ V_{FB} &= 0.97V \\ R_{BOT} &= 360 \text{ k}\Omega \\ R_{TOP} &= 1.5 \text{ M}\Omega \end{aligned}$$

The internal error amplifier of the Peak Current mode control loop is a transconductance error amplifier; its gain is not related to the resistor's value. There are some potential issues with higher value resistors. For small surface mount resistors, environment contamination can create leakage paths that significantly change the resistive divider ratio and the output voltage tolerance. Smaller feedback resistor values will increase the quiescent current drained from the battery by a few  $\mu\text{A}$ , but will result in good regulation over the entire temperature range.

When  $R_{TOP}$  and  $R_{BOT}$  are higher, the efficiency conversion will be optimized at very light loads.

For boost converters, the removal of the feedback resistors during operation must be avoided. If feedback resistors are removed during operation, the output voltage will increase above the absolute maximum output limits of the MCP1641X and will damage the device (for additional information, see Application Note AN1337, “*Optimizing Battery Life in DC Boost Converters Using MCP1640*”, DS01337).

### 6.2 Programmable UVLO and LBO Calculations

This feature is used to increase the  $UVLO_{START}$  threshold. To calculate the resistive divider values for a new UVLO threshold, use [Equation 6-2](#), where  $R_H$  is connected to  $V_{IN}$ ,  $R_L$  is connected to GND, and both  $R_H$  and  $R_L$  are connected to the UVLO input pin.

The programmable UVLO resistors' calculations result in changing the low battery input detection level on the down slope of the input voltage, as detailed in [Section 5.3.8 “Low Battery Detection”](#).

#### EQUATION 6-2:

$$R_H = R_L \times \left( \frac{UVLO_{START}}{V_{ref_{UVLO}}} - 1 \right)$$

#### EXAMPLE 5:

$$\begin{aligned} UVLO_{START} &= 1.1V \\ V_{ref_{UVLO}} &= 485 \text{ mV} \\ R_L &= 430 \text{ k}\Omega \\ R_H &= 549 \text{ k}\Omega \end{aligned}$$

#### EXAMPLE 6:

$$\begin{aligned} UVLO_{START} &= 1.8V \\ V_{ref_{UVLO}} &= 485 \text{ mV} \\ R_L &= 430 \text{ k}\Omega \\ R_H &= 1.165 \text{ M}\Omega \text{ (with a standard value} \\ &\text{of } 1.15 \text{ M}\Omega, UVLO_{START} \text{ is } \\ &1.782V) \end{aligned}$$

## 6.3 Input Capacitor Selection

The boost input current is smoothed by the boost inductor, reducing the amount of filtering necessary at the input. Some capacitance is recommended to provide decoupling from the source. Low-ESR X5R or X7R ceramic capacitors are well suited due to their low-temperature coefficient and small size. For most applications, 10  $\mu\text{F}$  of capacitance is sufficient at the input. For high-power applications that have high source impedance or long leads, connecting to battery additional input capacitance provides a stable input voltage. [Table 6-1](#) shows the recommended input capacitor value range.

## 6.4 Output Capacitor Selection

The output capacitor helps to provide a stable output voltage during sudden load transients and reduces the output voltage ripple. As with the input capacitor, X5R and X7R ceramic capacitors are well suited for this application. While  $C_{OUT}$  provides load current, a voltage drop also appears across its internal ESR that results in ripple voltage. Using other capacitor types (e.g., aluminum) with large ESR has a detrimental impact on the converter's efficiency and maximum output power. For a proper value, the output capacitance can be estimated by [Equation 6-3](#).

The MCP1641X is internally compensated, and therefore, the output capacitance range is limited to 20  $\mu\text{F}$ .

An output capacitance higher than 10  $\mu\text{F}$  adds a better load step response and high-frequency noise attenuation, especially while stepping from light loads (PFM mode) to heavy loads (PWM mode).

For output voltages below 2V, 20  $\mu\text{F}$  capacitance is recommended.

See [Table 6-1](#) for the recommended output capacitor range.

### EQUATION 6-3:

$$I_{OUT} = C_{OUT} \times \left( \frac{dV}{dt} \right)$$

Where:

- $dV$  = Ripple Voltage
- $dt$  = On Time of the N-Channel Switch  
( $D \times 1/f_{SW}$ , D is duty cycle)

**TABLE 6-1: CAPACITOR VALUE RANGE**

	$C_{IN}$	$C_{OUT}$
Minimum	10 $\mu\text{F}$	10 $\mu\text{F}$
Maximum	None	20 $\mu\text{F}$

## 6.5 Inductor Selection

The MCP1641X is designed to be used with small surface mount inductors; the inductance value can range from 2.2  $\mu\text{H}$  to 4.7  $\mu\text{H}$ . An inductance value of 4.7  $\mu\text{H}$  is recommended to achieve a good balance between inductor size, converter load transient response and minimized noise. For an output below 2.0V, the inductor value must be reduced to 2.2  $\mu\text{H}$ . Several parameters should be considered when selecting the correct inductor: maximum rated current, saturation current and copper resistance (DCR). For boost converters, the inductor current can be much higher than the output current. The lower the inductor's DCR, the higher the efficiency of the converter, a common trade-off in size versus efficiency. See [Table 6-2](#) for the recommended inductors.

**TABLE 6-2: MCP1641X RECOMMENDED INDUCTORS**

Part Number	Value ( $\mu\text{H}$ )	DCR $\Omega$ (typ.)	$I_{SAT}$ (A)	Size WxLxH (mm)
<b>Würth Elektronik</b>				
WE-MAIA	2.2	0.176	2.5	2.5x2x1
	2.2	0.302	2.2	2.5x2x0.8
	4.7	0.409	2.4	3x3x1
	4.7	0.345	2.1	2.5x2x1.2
WE-MAPI	2.2	0.123	2.9	2.5x2x1.2
	2.2	0.150	3.9	3x3x1
	4.7	0.147	2.5	2.5x2x1
	4.7	0.307	3.8	3x3x1.2
WE-SPC	4.7	0.086	2.9	4.8x4.8x2.8
WE-LQS	2.2	0.08	1.95	2.5x2x1.2
	4.7	0.091	1.9	4x4x1.2
<b>Coilcraft</b>				
XAL4020	2.2	0.035	5.6	4x4x2.1
	4.7	0.040	4.5	4x4x2.1
XEL4030	2.2	0.020	6.1	4x4x3.1
	4.7	0.040	4.6	4x4x3.1
XFL4020	2.2	0.0235	3.1	4x4x2.1
	4.7	0.057	2	4x4x2.1
XGL4020	2.2	0.019	2.7	4x4x2.1
	4.7	0.043	1.9	4x4x2.1
LPS4018	4.7	0.125	1.9	3.9x3.9x1.7
LPS4012	2.2	0.1	2.4	3.9x3.9x1.1
<b>TDK Corporation</b>				
VLS3012HBX	2.2	0.106	3.76	3x3x1.2
	4.7	0.201	2.79	3x3x1.2
<b>Eaton Electronics Division (Coilcraft)</b>				
SD3118	2.2	0.074	2.00	3.1x3.1x1.8
MPI25-V2	2.2	0.087	3.5	2.5x2x1.25
	4.7	0.235	1.9	2.5x2x1.25



# MCP1641X

The MCP1641X limits the inductor peak current to 1A; for proper operation, an inductor with a saturation current higher than this limit should be chosen. The saturation current typically specifies a point at which the inductance has rolled off a percentage of the rated value. This can range from a 20% to 40% reduction in inductance. As the inductance rolls off, the inductor ripple current increases, as does the peak switch current. It is important to keep the inductance from rolling off too much, causing switch current to reach the peak limit.

## 6.6 Thermal Calculations

The MCP1641X devices are available in two different packages, 10-lead MSOP and 3 mm x 3 mm 10-lead TDFN. The junction temperature is estimated by calculating the power dissipation and applying the package thermal resistance ( $\theta_{JA}$ ). The maximum operating junction temperature rating for the MCP1641X family of devices is +125°C.

To quickly estimate the internal power dissipation for the switching boost regulator, an empirical calculation using measured efficiency can be used, as presented in Equation 6-4.

### EQUATION 6-4:

$$\left( \frac{V_{OUT} \times I_{OUT}}{\text{Efficiency}} \right) - (V_{OUT} \times I_{OUT}) = P_{Dis}$$

The difference between the first term, input power and the second term, power delivered, is the internal MCP1641X's power dissipation. This is an estimate, assuming that most of the power lost is internal to the MCP1641X and not by the  $C_{IN}$ ,  $C_{OUT}$  or the inductor. However, there is some percentage of power lost in the boost inductor, with very little loss in the input and output capacitors. For a more accurate estimation of the internal power dissipation, subtract the  $I_{LRMS}^2 \times L_{DCR}$  power dissipation.

## 6.7 PCB Layout Information

Good Printed Circuit Board layout techniques are important to any switching circuitry and switching power supplies are no different. When wiring the switching high-current paths, short and wide traces should be used. Therefore, it is important that the input and output capacitors should be placed as close as possible to the MCP1641X to minimize the loop area.

The feedback resistors and feedback signal should be routed away from the switching node and the switching current loop. When possible, ground planes and traces should be used to help shield the feedback signal and minimize noise and magnetic interference.

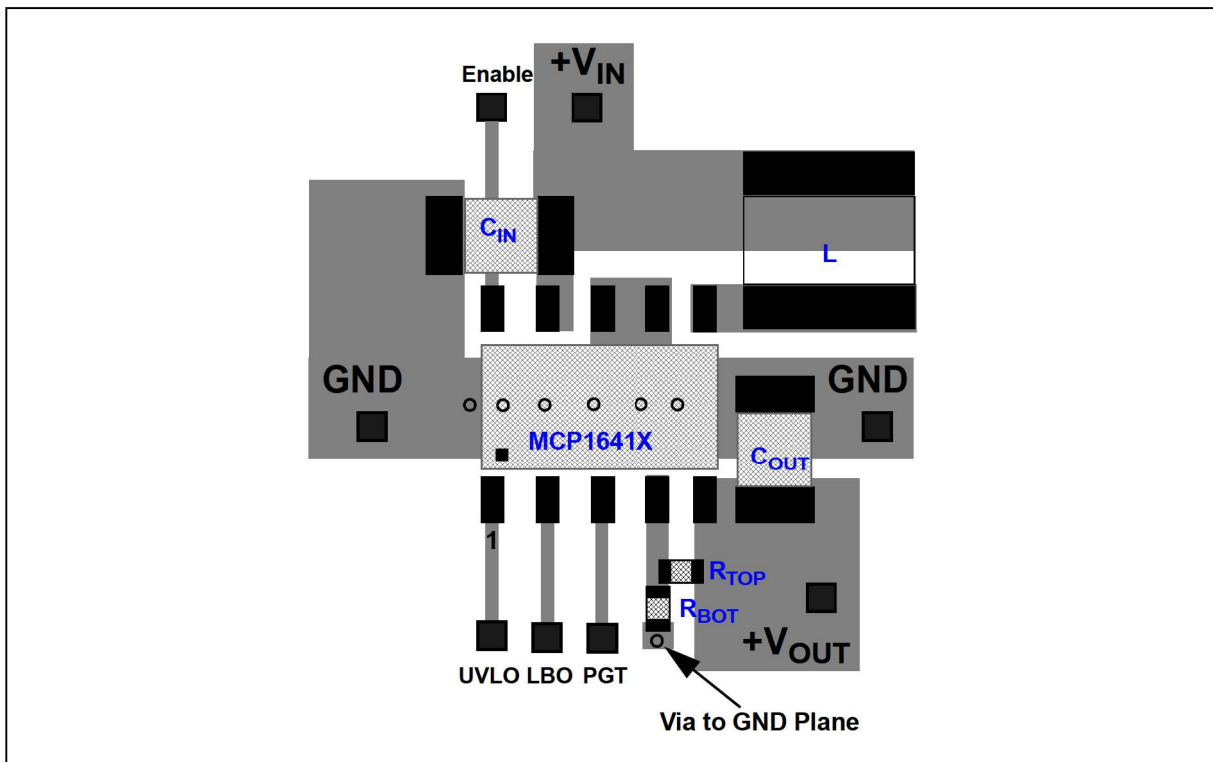
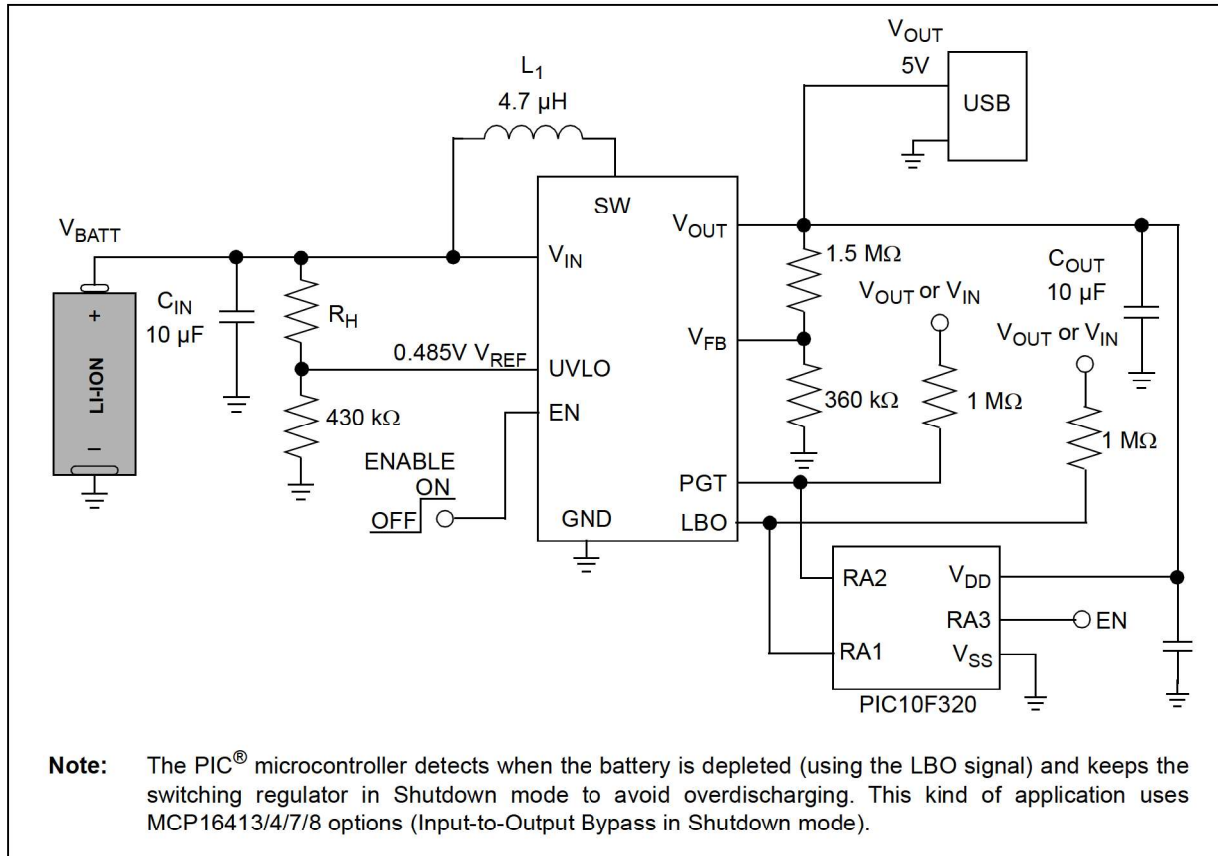
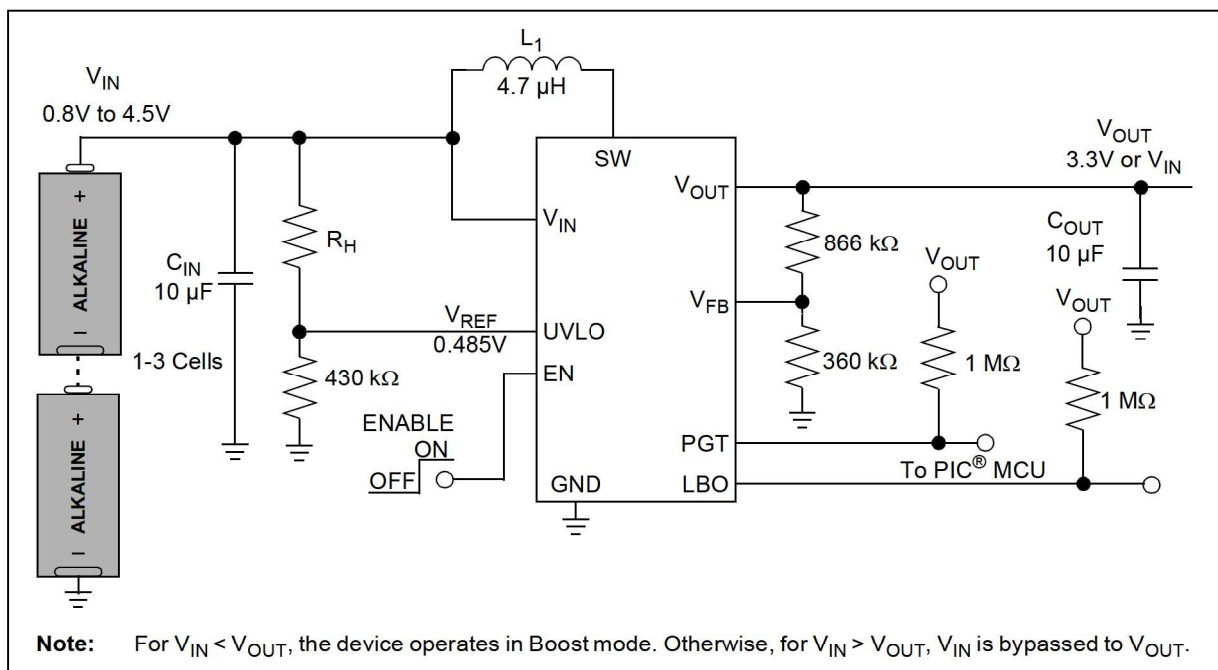


FIGURE 6-1: MCP1641X Recommended Layout, Applicable to Both Packages.

## 7.0 APPLICATION CIRCUIT EXAMPLES

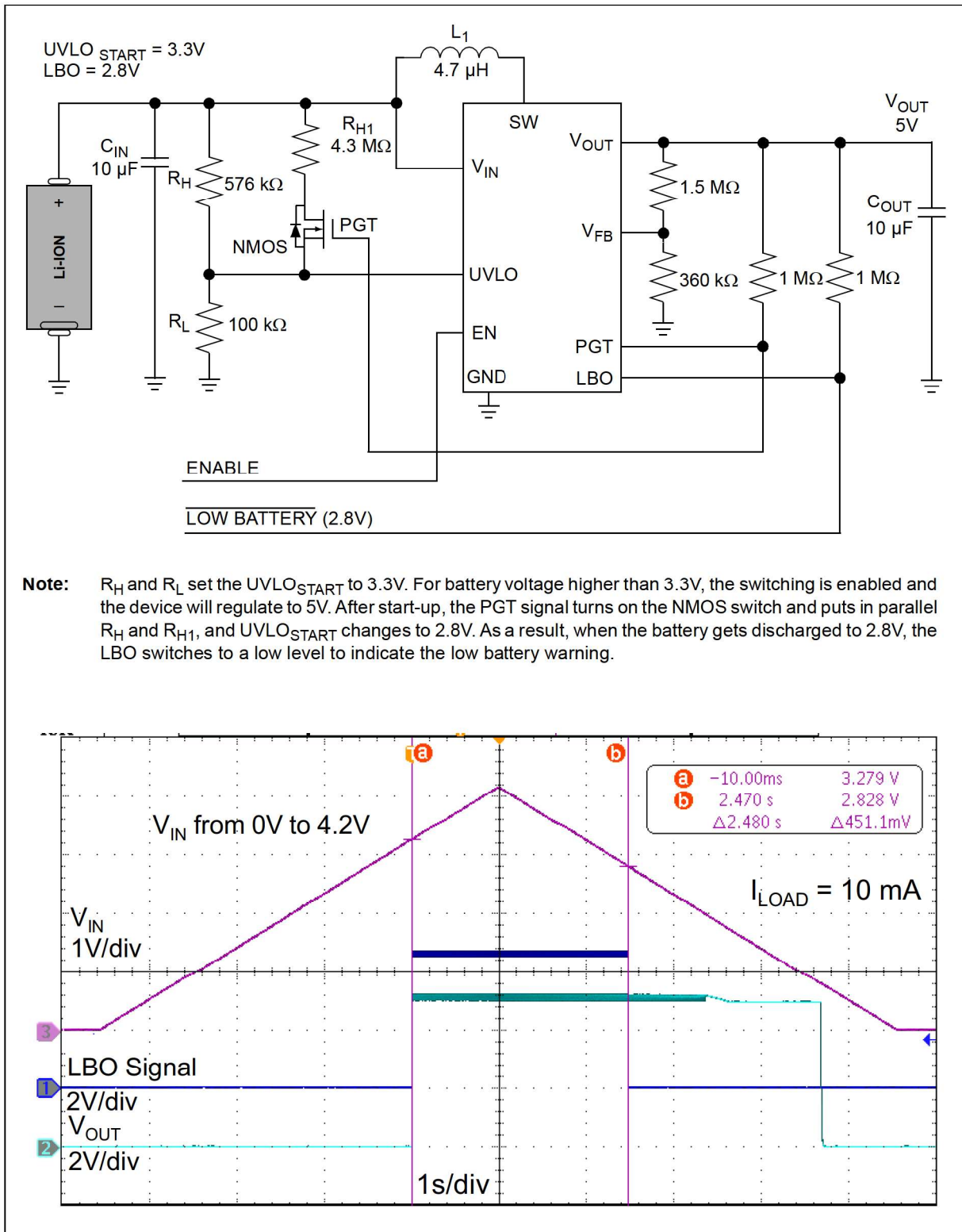


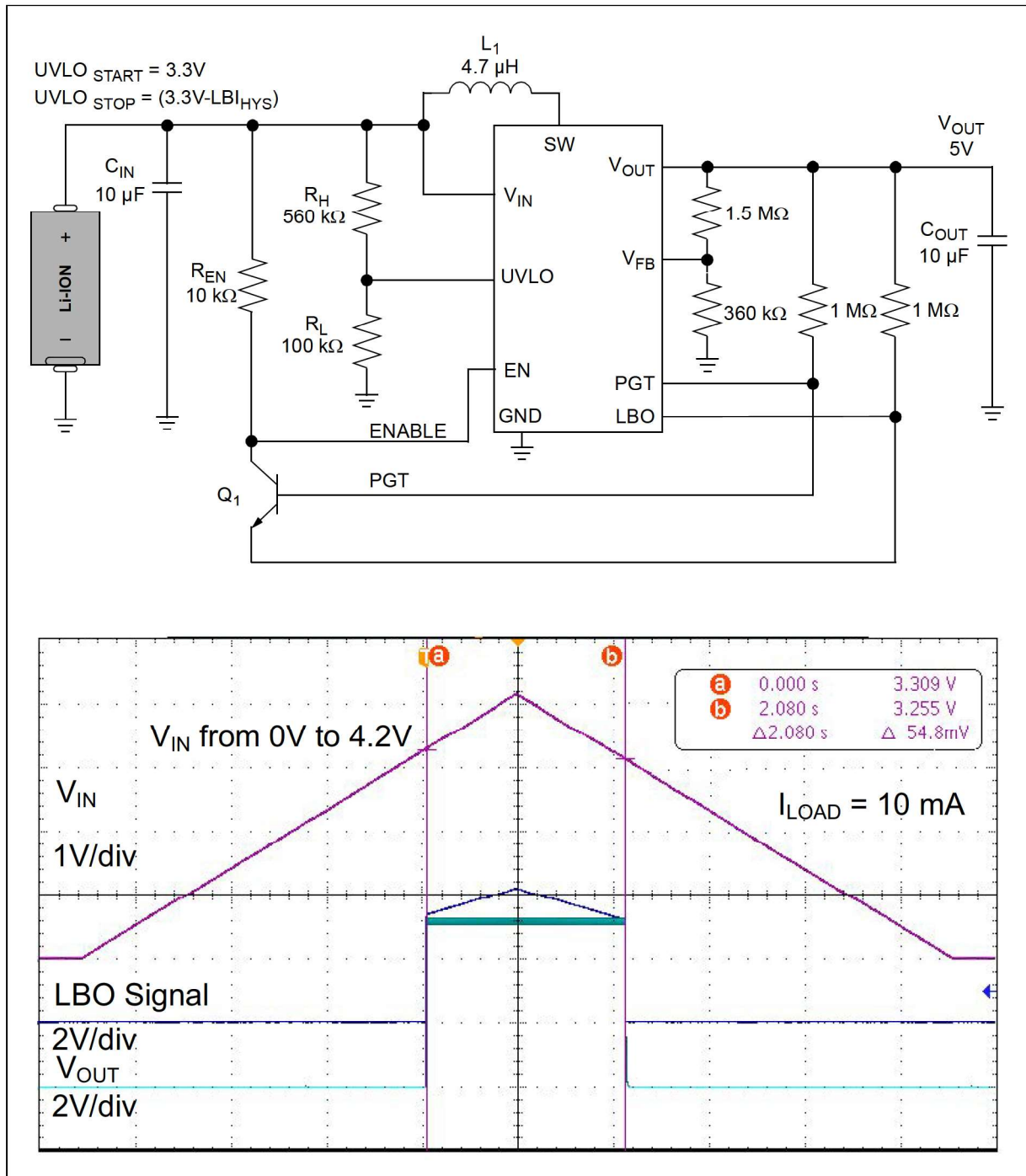
**FIGURE 7-1:** Single Cell for USB Application Using Bypass Mode.



**FIGURE 7-2:** Multiple Cell Operation with Automatic Input to Output Bypass Mode.

# MCP1641X

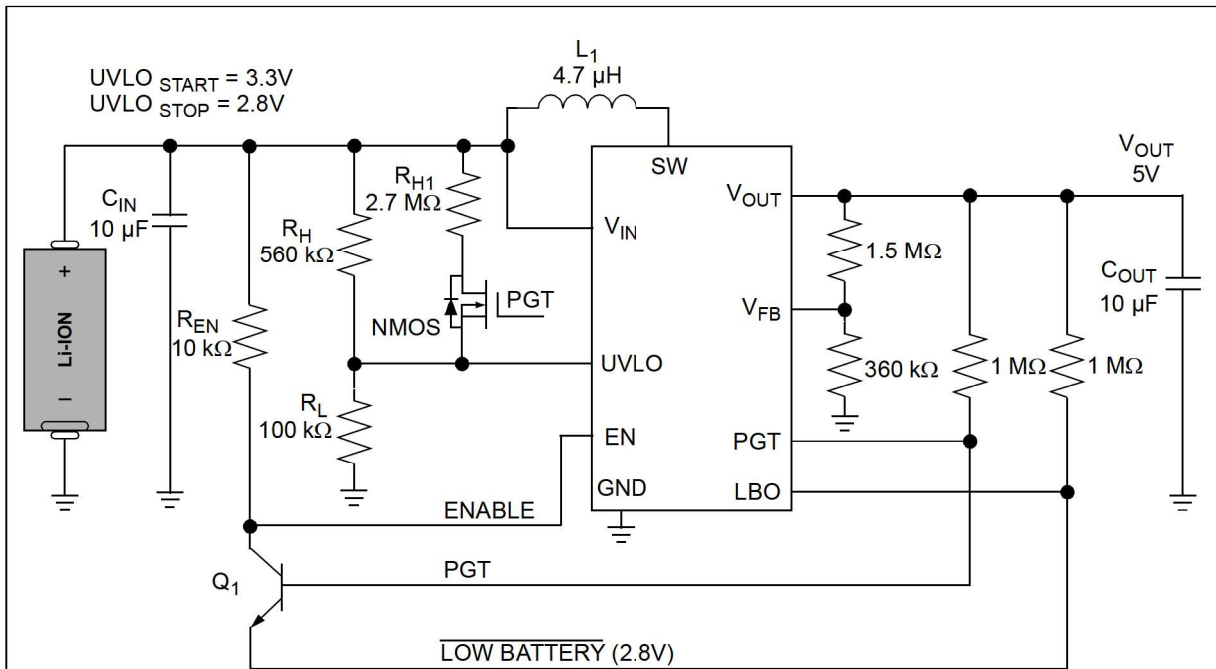




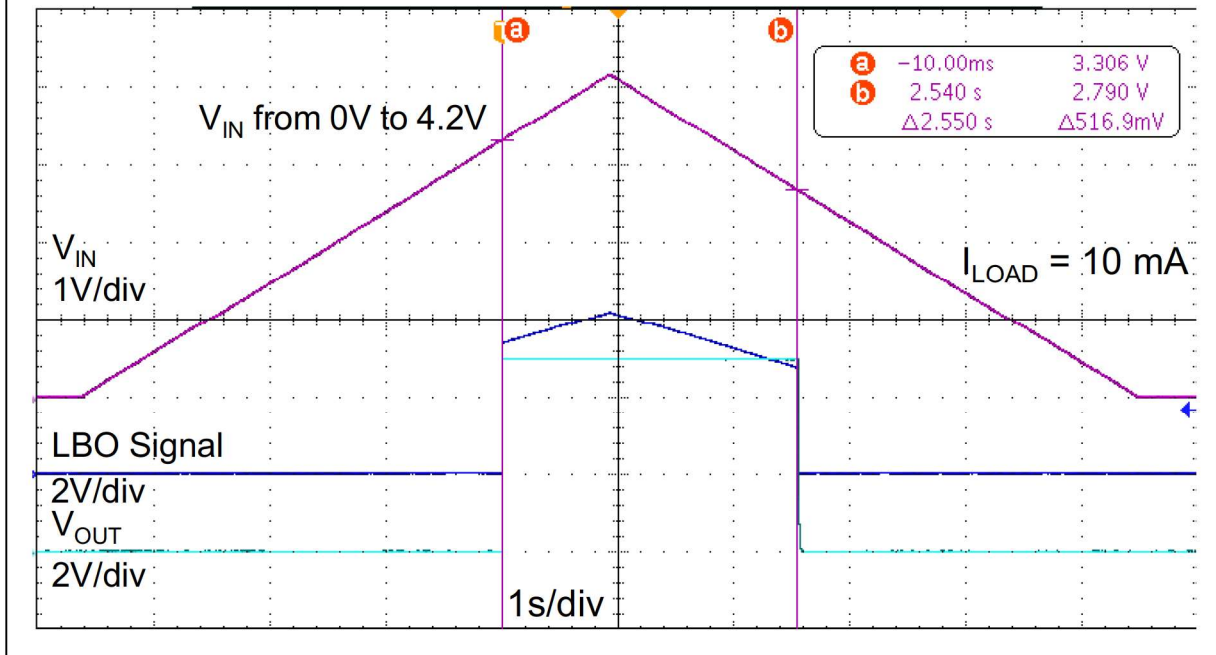
**FIGURE 7-4:** Simple Method for Increased UVLO<sub>STOP</sub> for Li-Ion Battery Applications to the UVLO<sub>START</sub> Value (minus internal LBI comparator's hysteresis of 20 mV, typically).



# MCP1641X



**Note:** R<sub>H</sub> and R<sub>L</sub> set the UVLO<sub>START</sub> to 3.3V. For battery voltage higher than 3.3V, the switching is enabled and the device will regulate to 5V. After start-up, the PGT signal turns on the N-MOS switch and puts in parallel R<sub>H</sub> and R<sub>H1</sub>, and UVLO<sub>START</sub> changes dynamically from 3.3V to 2.8V. As a result, when the battery gets discharged to 2.8V, the LBO switches to low level, turns on the NPN transistor (Q<sub>1</sub>) and asserts to low the enable input, turning off the output of the converter.



**FIGURE 7-5:** Dynamic Changing Method for UVLOs' Thresholds with Output Shutdown at 2.8V to Protect Li-Ion Batteries from Overdischarging.

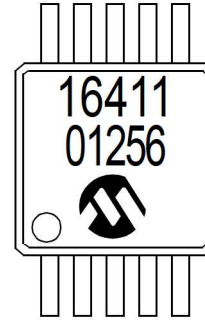
## 8.0 PACKAGING INFORMATION

### 8.1 Package Marking Information

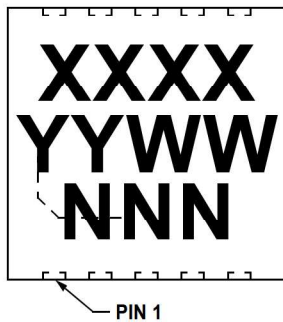
10-Lead MSOP (3x3 mm)



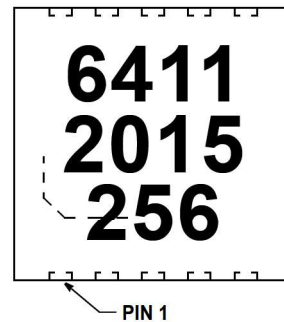
Example



10-Lead TDFN (3x3 mm)



Example



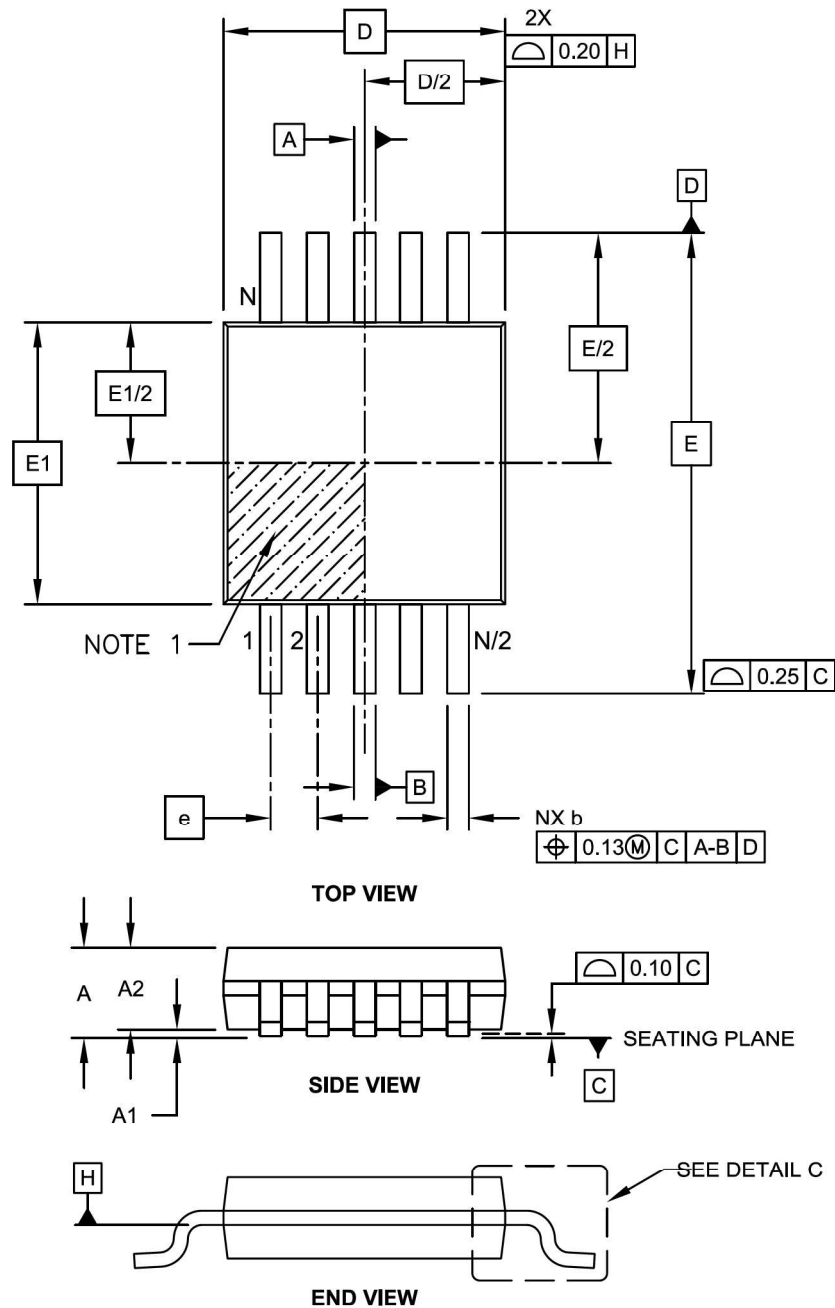
<b>Legend:</b>	XX...X	Customer-specific information
	Y	Year code (last digit of calendar year)
	YY	Year code (last 2 digits of calendar year)
	WW	Week code (week of January 1 is week '01')
	NNN	Alphanumeric traceability code
	(e3)	Pb-free JEDEC® designator for Matte Tin (Sn)
	*	This package is Pb-free. The Pb-free JEDEC designator (e3) can be found on the outer packaging for this package.

**Note:** In the event the full Microchip part number cannot be marked on one line, it will be carried over to the next line, thus limiting the number of available characters for customer-specific information.

# MCP1641X

## 10-Lead Plastic Micro Small Outline Package (UN) [MSOP]

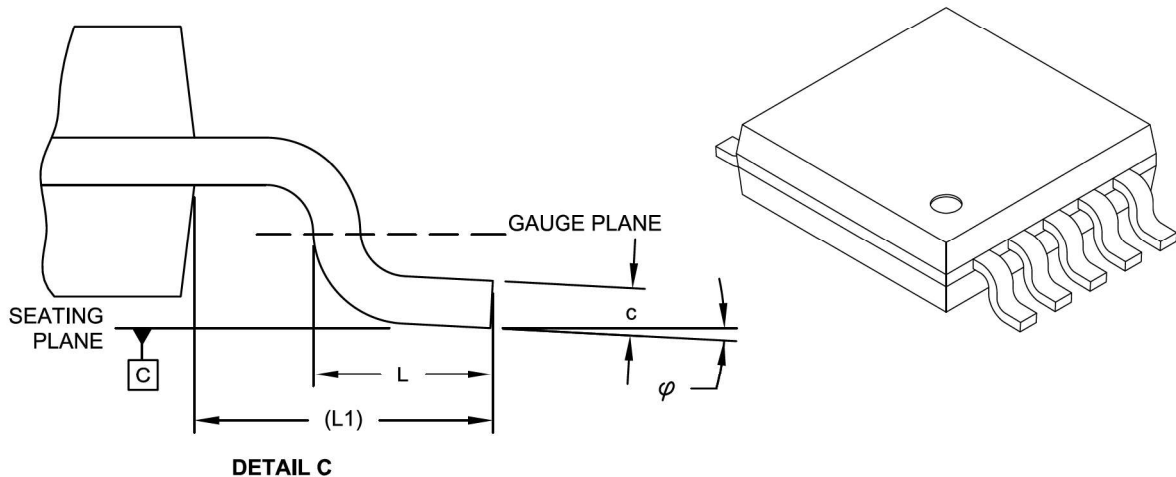
**Note:** For the most current package drawings, please see the Microchip Packaging Specification located at <http://www.microchip.com/packaging>



Microchip Technology Drawing C04-021C Sheet 1 of 2

## 10-Lead Plastic Micro Small Outline Package (UN) [MSOP]

**Note:** For the most current package drawings, please see the Microchip Packaging Specification located at <http://www.microchip.com/packaging>



Dimension Limits	Units	MILLIMETERS		
		MIN	NOM	MAX
Number of Pins	N	10		
Pitch	e	0.50 BSC		
Overall Height	A	-	-	1.10
Molded Package Thickness	A2	0.75	0.85	0.95
Standoff	A1	0.00	-	0.15
Overall Width	E	4.90 BSC		
Molded Package Width	E1	3.00 BSC		
Overall Length	D	3.00 BSC		
Foot Length	L	0.40	0.60	0.80
Footprint	L1	0.95 REF		
Foot Angle	$\phi$	0°	-	8°
Lead Thickness	c	0.08	-	0.23
Lead Width	b	0.15	-	0.33

**Notes:**

- Pin 1 visual index feature may vary, but must be located within the hatched area.
- Dimensions D and E1 do not include mold flash or protrusions. Mold flash or protrusions shall not exceed 0.15mm per side.
- Dimensioning and tolerancing per ASME Y14.5M.

BSC: Basic Dimension. Theoretically exact value shown without tolerances.

REF: Reference Dimension, usually without tolerance, for information purposes only.

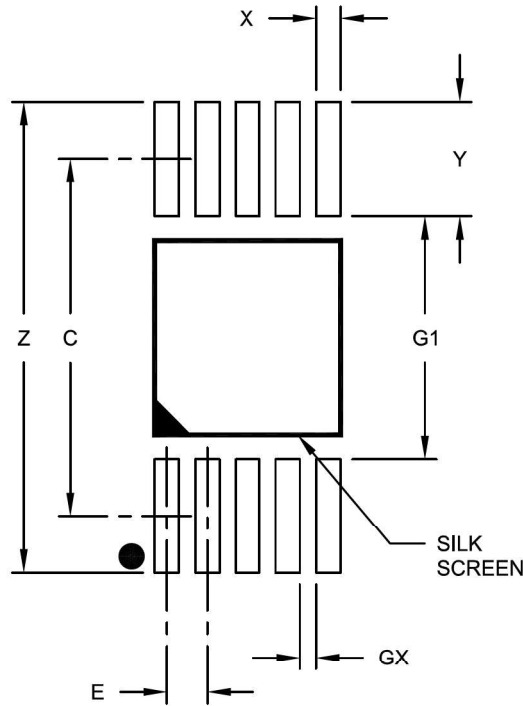
Microchip Technology Drawing C04-021C Sheet 2 of 2



# MCP1641X

## 10-Lead Plastic Micro Small Outline Package (UN) [MSOP]

**Note:** For the most current package drawings, please see the Microchip Packaging Specification located at <http://www.microchip.com/packaging>



RECOMMENDED LAND PATTERN

Dimension Limits	Units	MILLIMETERS		
		MIN	NOM	MAX
Contact Pitch	E	0.50 BSC		
Contact Pad Spacing	C		4.40	
Overall Width	Z			5.80
Contact Pad Width (X10)	X1			0.30
Contact Pad Length (Y10)	Y1			1.40
Distance Between Pads	G1	3.00		
Distance Between Pads	GX	0.20		

Notes:

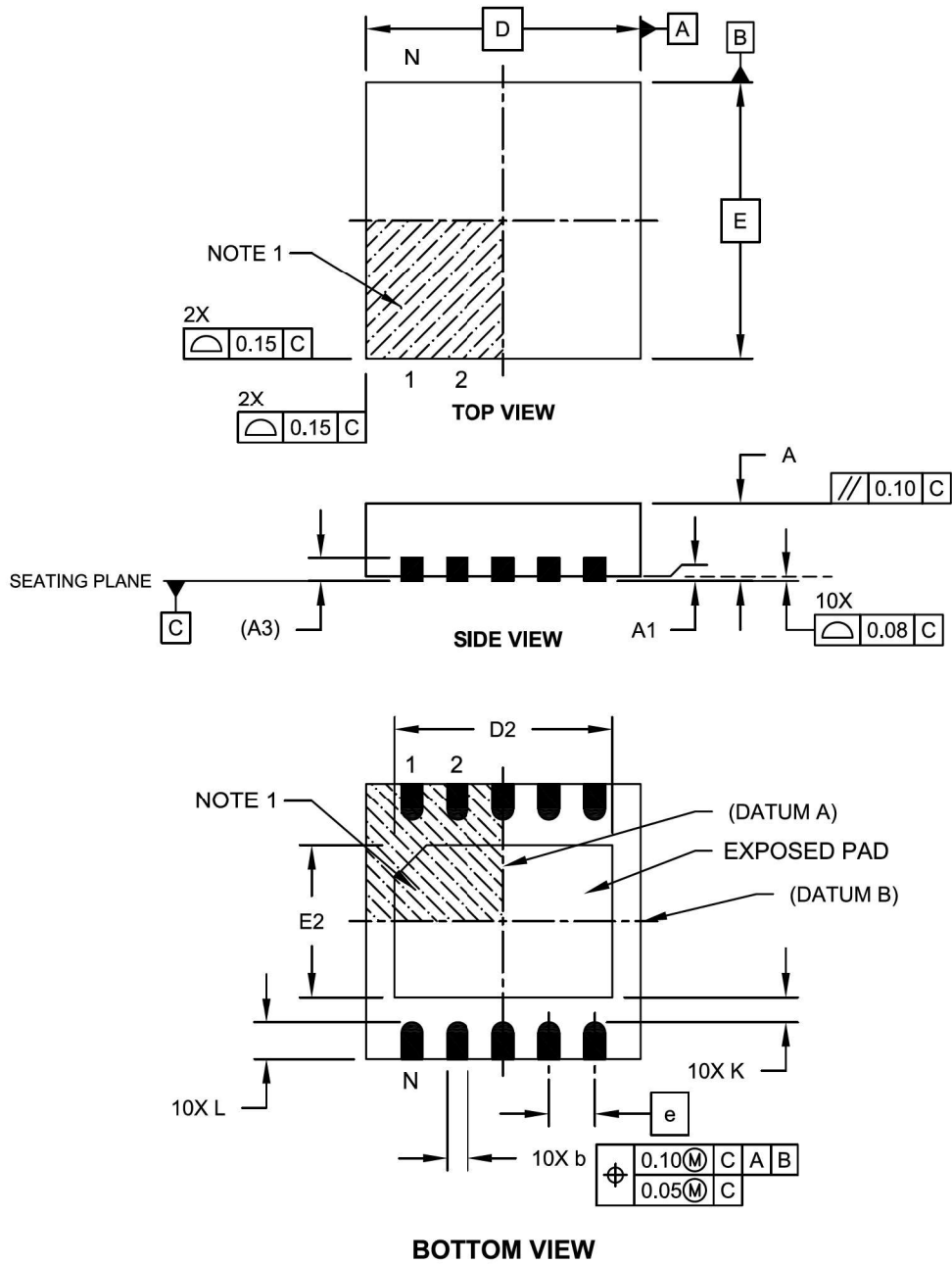
1. Dimensioning and tolerancing per ASME Y14.5M

BSC: Basic Dimension. Theoretically exact value shown without tolerances.

Microchip Technology Drawing No. C04-2021A

## 10-Lead Thin Plastic Dual Flat, No Lead Package (MN) - 3x3x0.8mm Body [TDFN]

**Note:** For the most current package drawings, please see the Microchip Packaging Specification located at <http://www.microchip.com/packaging>

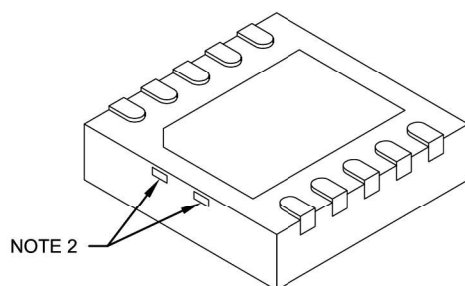


Microchip Technology Drawing C04-185A Sheet 1 of 2

# MCP1641X

## 10-Lead Thin Plastic Dual Flat, No Lead Package (MN) - 3x3x0.8mm Body [TDFN]

**Note:** For the most current package drawings, please see the Microchip Packaging Specification located at <http://www.microchip.com/packaging>



Dimension Limits	Units	MILLIMETERS		
		MIN	NOM	MAX
Number of Pins	N	10		
Pitch	e	0.50 BSC		
Overall Height	A	0.70	0.75	0.80
Standoff	A1	0.00	0.02	0.05
Contact Thickness	A3	0.20 REF		
Overall Length	D	3.00 BSC		
Exposed Pad Length	D2	2.20	2.30	2.35
Overall Width	E	3.00 BSC		
Exposed Pad Width	E2	1.55	1.65	1.70
Contact Width	b	0.18	0.25	0.30
Contact Length	L	0.30	0.40	0.50
Contact-to-Exposed Pad	K	0.20	-	-

**Notes:**

1. Pin 1 visual index feature may vary, but must be located within the hatched area.
2. Package may have one or more exposed tie bars at ends.
3. Package is saw singulated
4. Dimensioning and tolerancing per ASME Y14.5M  
BSC: Basic Dimension. Theoretically exact value shown without tolerances.  
REF: Reference Dimension, usually without tolerance, for information purposes only.

Microchip Technology Drawing No. C04-0185A Sheet 2 of 2



## PRODUCT IDENTIFICATION SYSTEM

To order or obtain information, e.g., on pricing or delivery, refer to the factory or the listed sales office.

<u>PART NO.</u>	<u>X<sup>(1)</sup></u>	<u>-X</u>	<u>/XX</u>	<b>Examples:</b>																																																												
<b>Device</b>	<b>Tape and Reel</b>	<b>Temperature Range</b>	<b>Package Type</b>																																																													
<table border="1"> <tr> <td><b>Device:</b></td> <td>MCP1641X:</td> <td colspan="2">Low I<sub>Q</sub> Boost Converter with Programmable Low Battery, UVLO and Automatic Input-to-Output Bypass Operation</td> </tr> <tr> <td></td> <td>X =</td> <td colspan="2">Device Option Number</td> </tr> <tr> <td><b>Options:</b></td> <td>MCP16411:</td> <td colspan="2">PFM/PWM, Output Discharge and PGT</td> </tr> <tr> <td></td> <td>MCP16412:</td> <td colspan="2">PFM Only, Output Discharge and PGT</td> </tr> <tr> <td></td> <td>MCP16413:</td> <td colspan="2">PFM/PWM, In-Out Bypass and PGT</td> </tr> <tr> <td></td> <td>MCP16414:</td> <td colspan="2">PWM Only, In-Out Bypass and PGT</td> </tr> <tr> <td></td> <td>MCP16415:</td> <td colspan="2">PFM/PWM, Output Discharge and PG</td> </tr> <tr> <td></td> <td>MCP16416:</td> <td colspan="2">PWM Only, Output Discharge and PG</td> </tr> <tr> <td></td> <td>MCP16417:</td> <td colspan="2">PFM/PWM, In-Out Bypass and PG</td> </tr> <tr> <td></td> <td>MCP16418:</td> <td colspan="2">PWM Only, In-Out Bypass and PG</td> </tr> <tr> <td><b>Tape and Reel Option</b></td> <td>Blank=</td> <td colspan="2">Standard Packaging (tube)</td> </tr> <tr> <td></td> <td>T =</td> <td colspan="2">Tape and Reel</td> </tr> <tr> <td><b>Temperature Range</b></td> <td>I =</td> <td colspan="2">-40°C to +85°C (Industrial)</td> </tr> <tr> <td><b>Package Type</b></td> <td>MN =</td> <td colspan="2">10-Lead Thin Plastic Dual Flat, TDFN</td> </tr> <tr> <td></td> <td>UN =</td> <td colspan="2">10-Lead Plastic Micro Small Outline Package, MSOP</td> </tr> </table>				<b>Device:</b>	MCP1641X:	Low I <sub>Q</sub> Boost Converter with Programmable Low Battery, UVLO and Automatic Input-to-Output Bypass Operation			X =	Device Option Number		<b>Options:</b>	MCP16411:	PFM/PWM, Output Discharge and PGT			MCP16412:	PFM Only, Output Discharge and PGT			MCP16413:	PFM/PWM, In-Out Bypass and PGT			MCP16414:	PWM Only, In-Out Bypass and PGT			MCP16415:	PFM/PWM, Output Discharge and PG			MCP16416:	PWM Only, Output Discharge and PG			MCP16417:	PFM/PWM, In-Out Bypass and PG			MCP16418:	PWM Only, In-Out Bypass and PG		<b>Tape and Reel Option</b>	Blank=	Standard Packaging (tube)			T =	Tape and Reel		<b>Temperature Range</b>	I =	-40°C to +85°C (Industrial)		<b>Package Type</b>	MN =	10-Lead Thin Plastic Dual Flat, TDFN			UN =	10-Lead Plastic Micro Small Outline Package, MSOP		<p>a) MCP16411-I/MN: Industrial Temperature, 10-LD TDFN package</p> <p>b) MCP16411T-I/MN: Tape and Reel, Industrial Temperature, 10-LD TDFN package</p> <p>c) MCP16412-I/MN: Industrial Temperature, 10-LD TDFN package</p> <p>d) MCP16412T-I/MN: Tape and Reel, Industrial Temperature, 10-LD TDFN package</p> <p>e) MCP16413-I/MN: Industrial Temperature, 10-LD TDFN package</p> <p>f) MCP16413T-I/MN: Tape and Reel, Industrial Temperature, 10-LD TDFN package</p> <p>g) MCP16414-I/MN: Industrial Temperature, 10-LD TDFN package</p> <p>h) MCP16414T-I/MN: Tape and Reel, Industrial Temperature, 10-LD TDFN package</p> <p>i) MCP16415-I/MN: Industrial Temperature, 10-LD TDFN package</p> <p>j) MCP16415T-I/MN: Tape and Reel, Industrial Temperature, 10-LD TDFN package</p> <p>k) MCP16416-I/MN: Industrial Temperature, 10-LD TDFN package</p> <p>l) MCP16416T-I/MN: Tape and Reel, Industrial Temperature, 10-LD TDFN package</p> <p>m) MCP16417-I/MN: Industrial Temperature, 10-LD TDFN package</p> <p>n) MCP16417T-I/MN: Tape and Reel, Industrial Temperature, 10-LD TDFN package</p> <p>o) MCP16418-I/MN: Industrial Temperature, 10-LD TDFN package</p> <p>p) MCP16418T-I/MN: Tape and Reel, Industrial Temperature, 10-LD TDFN package</p> <p>q) MCP16411-I/UN: Industrial Temperature, 10-LD MSOP package</p> <p>r) MCP16411T-I/UN: Tape and Reel, Industrial Temperature, 10-LD MSOP package</p> <p>s) MCP16412-I/UN: Industrial Temperature, 10-LD MSOP package</p> <p>t) MCP16412T-I/UN: Tape and Reel, Industrial Temperature, 10-LD MSOP package</p> <p>u) MCP16413-I/UN: Industrial Temperature, 10-LD MSOP package</p> <p>v) MCP16413T-I/UN: Tape and Reel, Industrial Temperature, 10-LD MSOP package</p> <p>w) MCP16414-I/UN: Industrial Temperature, 10-LD MSOP package</p> <p>x) MCP16414T-I/UN: Tape and Reel, Industrial Temperature, 10-LD MSOP package</p> <p>y) MCP16415-I/UN: Industrial Temperature, 10-LD MSOP package</p> <p>z) MCP16415T-I/UN: Tape and Reel, Industrial Temperature, 10-LD MSOP package</p> <p>aa) MCP16416-I/UN: Industrial Temperature, 10-LD MSOP package</p> <p>ab) MCP16416T-I/UN: Tape and Reel, Industrial Temperature, 10-LD MSOP package</p> <p>ac) MCP16417-I/UN: Industrial Temperature, 10-LD MSOP package</p> <p>ad) MCP16417T-I/UN: Tape and Reel, Industrial Temperature, 10-LD MSOP package</p> <p>ae) MCP16418-I/UN: Industrial Temperature, 10-LD MSOP package</p> <p>af) MCP16418T-I/UN: Tape and Reel, Industrial Temperature, 10-LD MSOP package</p> <p><b>Note 1:</b> Tape and Reel identifier only appears in the catalog part number description. This identifier is used for ordering purposes and is not printed on the device package. Check with your Microchip Sales Office for package availability with the Tape and Reel option.</p>
<b>Device:</b>	MCP1641X:	Low I <sub>Q</sub> Boost Converter with Programmable Low Battery, UVLO and Automatic Input-to-Output Bypass Operation																																																														
	X =	Device Option Number																																																														
<b>Options:</b>	MCP16411:	PFM/PWM, Output Discharge and PGT																																																														
	MCP16412:	PFM Only, Output Discharge and PGT																																																														
	MCP16413:	PFM/PWM, In-Out Bypass and PGT																																																														
	MCP16414:	PWM Only, In-Out Bypass and PGT																																																														
	MCP16415:	PFM/PWM, Output Discharge and PG																																																														
	MCP16416:	PWM Only, Output Discharge and PG																																																														
	MCP16417:	PFM/PWM, In-Out Bypass and PG																																																														
	MCP16418:	PWM Only, In-Out Bypass and PG																																																														
<b>Tape and Reel Option</b>	Blank=	Standard Packaging (tube)																																																														
	T =	Tape and Reel																																																														
<b>Temperature Range</b>	I =	-40°C to +85°C (Industrial)																																																														
<b>Package Type</b>	MN =	10-Lead Thin Plastic Dual Flat, TDFN																																																														
	UN =	10-Lead Plastic Micro Small Outline Package, MSOP																																																														

# MCP1641X

---

NOTES:

## APPENDIX A: REVISION HISTORY

### Revision B (September 2020)

- Change to the AC/DC Characteristics table.

### Revision A (September 2020)

- Initial release of this document.



# MCP1641X

---

NOTES:

---

---

**Note the following details of the code protection feature on Microchip devices:**

- Microchip products meet the specifications contained in their particular Microchip Data Sheet.
- Microchip believes that its family of products is secure when used in the intended manner and under normal conditions.
- There are dishonest and possibly illegal methods being used in attempts to breach the code protection features of the Microchip devices. We believe that these methods require using the Microchip products in a manner outside the operating specifications contained in Microchip's Data Sheets. Attempts to breach these code protection features, most likely, cannot be accomplished without violating Microchip's intellectual property rights.
- Microchip is willing to work with any customer who is concerned about the integrity of its code.
- Neither Microchip nor any other semiconductor manufacturer can guarantee the security of its code. Code protection does not mean that we are guaranteeing the product is "unbreakable." Code protection is constantly evolving. We at Microchip are committed to continuously improving the code protection features of our products. Attempts to break Microchip's code protection feature may be a violation of the Digital Millennium Copyright Act. If such acts allow unauthorized access to your software or other copyrighted work, you may have a right to sue for relief under that Act.

---

Information contained in this publication is provided for the sole purpose of designing with and using Microchip products. Information regarding device applications and the like is provided only for your convenience and may be superseded by updates. It is your responsibility to ensure that your application meets with your specifications.

THIS INFORMATION IS PROVIDED BY MICROCHIP "AS IS". MICROCHIP MAKES NO REPRESENTATIONS OR WARRANTIES OF ANY KIND WHETHER EXPRESS OR IMPLIED, WRITTEN OR ORAL, STATUTORY OR OTHERWISE, RELATED TO THE INFORMATION INCLUDING BUT NOT LIMITED TO ANY IMPLIED WARRANTIES OF NON-INFRINGEMENT, MERCHANTABILITY, AND FITNESS FOR A PARTICULAR PURPOSE OR WARRANTIES RELATED TO ITS CONDITION, QUALITY, OR PERFORMANCE.

IN NO EVENT WILL MICROCHIP BE LIABLE FOR ANY INDIRECT, SPECIAL, PUNITIVE, INCIDENTAL OR CONSEQUENTIAL LOSS, DAMAGE, COST OR EXPENSE OF ANY KIND WHATSOEVER RELATED TO THE INFORMATION OR ITS USE, HOWEVER CAUSED, EVEN IF MICROCHIP HAS BEEN ADVISED OF THE POSSIBILITY OR THE DAMAGES ARE FORESEEABLE. TO THE FULLEST EXTENT ALLOWED BY LAW, MICROCHIP'S TOTAL LIABILITY ON ALL CLAIMS IN ANY WAY RELATED TO THE INFORMATION OR ITS USE WILL NOT EXCEED THE AMOUNT OF FEES, IF ANY, THAT YOU HAVE PAID DIRECTLY TO MICROCHIP FOR THE INFORMATION. Use of Microchip devices in life support and/or safety applications is entirely at the buyer's risk, and the buyer agrees to defend, indemnify and hold harmless Microchip from any and all damages, claims, suits, or expenses resulting from such use. No licenses are conveyed, implicitly or otherwise, under any Microchip intellectual property rights unless otherwise stated.

For information regarding Microchip's Quality Management Systems, please visit [www.microchip.com/quality](http://www.microchip.com/quality).

### Trademarks

The Microchip name and logo, the Microchip logo, Adaptec, AnyRate, AVR, AVR logo, AVR Freaks, BesTime, BitCloud, chipKIT, chipKIT logo, CryptoMemory, CryptoRF, dsPIC, FlashFlex, flexPWR, HELDO, IGLOO, JukeBlox, KeeLoq, Klear, LANCheck, LinkMD, maXStylus, maXTouch, MediaLB, megaAVR, Microsemi, Microsemi logo, MOST, MOST logo, MPLAB, OptoLyzer, PackeTime, PIC, picoPower, PICSTART, PIC32 logo, PolarFire, Prochip Designer, QTouch, SAM-BA, SenGenuity, SpyNIC, SST, SST Logo, SuperFlash, Symmetricom, SyncServer, Tachyon, TempTracker, TimeSource, tinyAVR, UNI/O, Vectron, and XMEGA are registered trademarks of Microchip Technology Incorporated in the U.S.A. and other countries.

APT, ClockWorks, The Embedded Control Solutions Company, EtherSynch, FlashTec, Hyper Speed Control, HyperLight Load, IntelliMOS, Libero, motorBench, mTouch, Powermite 3, Precision Edge, ProASIC, ProASIC Plus, ProASIC Plus logo, Quiet-Wire, SmartFusion, SyncWorld, Temux, TimeCesium, TimeHub, TimePictra, TimeProvider, Vite, WinPath, and ZL are registered trademarks of Microchip Technology Incorporated in the U.S.A.

Adjacent Key Suppression, AKS, Analog-for-the-Digital Age, Any Capacitor, AnyIn, AnyOut, BlueSky, BodyCom, CodeGuard, CryptoAuthentication, CryptoAutomotive, CryptoCompanion, CryptoController, dsPICDEM, dsPICDEM.net, Dynamic Average Matching, DAM, ECAN, EtherGREEN, In-Circuit Serial Programming, ICSP, INICnet, Inter-Chip Connectivity, JitterBlocker, KlearNet, KlearNet logo, memBrain, Mindi, MiWi, MPASM, MPF, MPLAB Certified logo, MPLIB, MPLINK, MultiTRAK, NetDetach, Omniscient Code Generation, PICDEM, PICDEM.net, PICkit, PICtail, PowerSmart, PureSilicon, QMatrix, REAL ICE, Ripple Blocker, SAM-ICE, Serial Quad I/O, SMART-I.S., SQI, SuperSwitcher, SuperSwitcher II, Total Endurance, TSHARC, USBCheck, VariSense, ViewSpan, WiperLock, Wireless DNA, and ZENA are trademarks of Microchip Technology Incorporated in the U.S.A. and other countries.

SQTP is a service mark of Microchip Technology Incorporated in the U.S.A.

The Adaptec logo, Frequency on Demand, Silicon Storage Technology, and Symmcom are registered trademarks of Microchip Technology Inc. in other countries.

GestIC is a registered trademark of Microchip Technology Germany II GmbH & Co. KG, a subsidiary of Microchip Technology Inc., in other countries.

All other trademarks mentioned herein are property of their respective companies.

© 2020, Microchip Technology Incorporated, All Rights Reserved.

ISBN: 978-1-5224-6844-8



# MICROCHIP

## Worldwide Sales and Service

### AMERICAS

**Corporate Office**  
2355 West Chandler Blvd.  
Chandler, AZ 85224-6199  
Tel: 480-792-7200  
Fax: 480-792-7277  
Technical Support:  
[http://www.microchip.com/  
support](http://www.microchip.com/support)  
Web Address:  
[www.microchip.com](http://www.microchip.com)

**Atlanta**  
Duluth, GA  
Tel: 678-957-9614  
Fax: 678-957-1455

**Austin, TX**  
Tel: 512-257-3370

**Boston**  
Westborough, MA  
Tel: 774-760-0087  
Fax: 774-760-0088

**Chicago**  
Itasca, IL  
Tel: 630-285-0071  
Fax: 630-285-0075

**Dallas**  
Addison, TX  
Tel: 972-818-7423  
Fax: 972-818-2924

**Detroit**  
Novi, MI  
Tel: 248-848-4000

**Houston, TX**  
Tel: 281-894-5983

**Indianapolis**  
Noblesville, IN  
Tel: 317-773-8323  
Fax: 317-773-5453  
Tel: 317-536-2380

**Los Angeles**  
Mission Viejo, CA  
Tel: 949-462-9523  
Fax: 949-462-9608  
Tel: 951-273-7800

**Raleigh, NC**  
Tel: 919-844-7510

**New York, NY**  
Tel: 631-435-6000

**San Jose, CA**  
Tel: 408-735-9110  
Tel: 408-436-4270

**Canada - Toronto**  
Tel: 905-695-1980  
Fax: 905-695-2078

### ASIA/PACIFIC

**Australia - Sydney**  
Tel: 61-2-9868-6733

**China - Beijing**  
Tel: 86-10-8569-7000

**China - Chengdu**  
Tel: 86-28-8665-5511

**China - Chongqing**  
Tel: 86-23-8980-9588

**China - Dongguan**  
Tel: 86-769-8702-9880

**China - Guangzhou**  
Tel: 86-20-8755-8029

**China - Hangzhou**  
Tel: 86-571-8792-8115

**China - Hong Kong SAR**  
Tel: 852-2943-5100

**China - Nanjing**  
Tel: 86-25-8473-2460

**China - Qingdao**  
Tel: 86-532-8502-7355

**China - Shanghai**  
Tel: 86-21-3326-8000

**China - Shenyang**  
Tel: 86-24-2334-2829

**China - Shenzhen**  
Tel: 86-755-8864-2200

**China - Suzhou**  
Tel: 86-186-6233-1526

**China - Wuhan**  
Tel: 86-27-5980-5300

**China - Xian**  
Tel: 86-29-8833-7252

**China - Xiamen**  
Tel: 86-592-2388138

**China - Zhuhai**  
Tel: 86-756-3210040

### ASIA/PACIFIC

**India - Bangalore**  
Tel: 91-80-3090-4444

**India - New Delhi**  
Tel: 91-11-4160-8631

**India - Pune**  
Tel: 91-20-4121-0141

**Japan - Osaka**  
Tel: 81-6-6152-7160

**Japan - Tokyo**  
Tel: 81-3-6880-3770

**Korea - Daegu**  
Tel: 82-53-744-4301

**Korea - Seoul**  
Tel: 82-2-554-7200

**Malaysia - Kuala Lumpur**  
Tel: 60-3-7651-7906

**Malaysia - Penang**  
Tel: 60-4-227-8870

**Philippines - Manila**  
Tel: 63-2-634-9065

**Singapore**  
Tel: 65-6334-8870

**Taiwan - Hsin Chu**  
Tel: 886-3-577-8366

**Taiwan - Kaohsiung**  
Tel: 886-7-213-7830

**Taiwan - Taipei**  
Tel: 886-2-2508-8600

**Thailand - Bangkok**  
Tel: 66-2-694-1351

**Vietnam - Ho Chi Minh**  
Tel: 84-28-5448-2100

### EUROPE

**Austria - Wels**  
Tel: 43-7242-2244-39  
Fax: 43-7242-2244-393

**Denmark - Copenhagen**  
Tel: 45-4485-5910  
Fax: 45-4485-2829

**Finland - Espoo**  
Tel: 358-9-4520-820

**France - Paris**  
Tel: 33-1-69-53-63-20  
Fax: 33-1-69-30-90-79

**Germany - Garching**  
Tel: 49-8931-9700

**Germany - Haan**  
Tel: 49-2129-3766400

**Germany - Heilbronn**  
Tel: 49-7131-72400

**Germany - Karlsruhe**  
Tel: 49-721-625370

**Germany - Munich**  
Tel: 49-89-627-144-0  
Fax: 49-89-627-144-44

**Germany - Rosenheim**  
Tel: 49-8031-354-560

**Israel - Ra'anana**  
Tel: 972-9-744-7705

**Italy - Milan**  
Tel: 39-0331-742611  
Fax: 39-0331-466781

**Italy - Padova**  
Tel: 39-049-7625286

**Netherlands - Drunen**  
Tel: 31-416-690399  
Fax: 31-416-690340

**Norway - Trondheim**  
Tel: 47-7288-4388

**Poland - Warsaw**  
Tel: 48-22-3325737

**Romania - Bucharest**  
Tel: 40-21-407-87-50

**Spain - Madrid**  
Tel: 34-91-708-08-90  
Fax: 34-91-708-08-91

**Sweden - Gothenberg**  
Tel: 46-31-704-60-40

**Sweden - Stockholm**  
Tel: 46-8-5090-4654

**UK - Wokingham**  
Tel: 44-118-921-5800  
Fax: 44-118-921-5820