



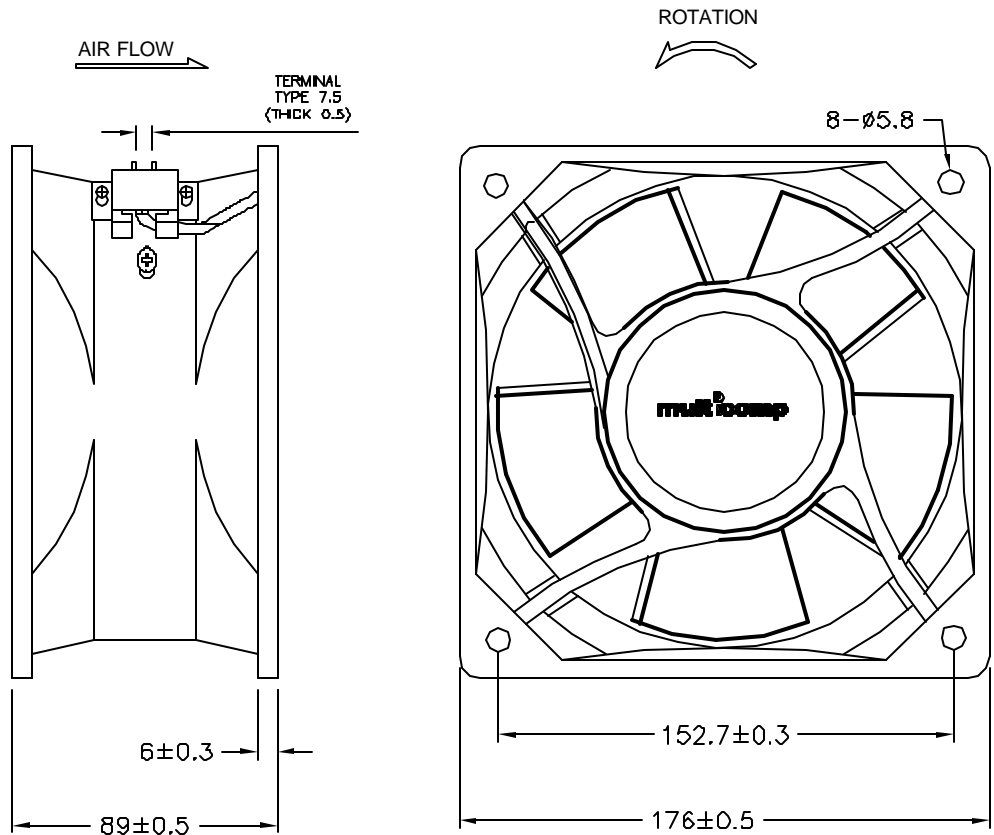
ALL RIGHTS RESERVED. NO PORTION OF THIS PUBLICATION, WHETHER IN WHOLE OR IN PART CAN BE REPRODUCED WITHOUT THE EXPRESS WRITTEN CONSENT OF SPC TECHNOLOGY.

SPC-F008.DWG

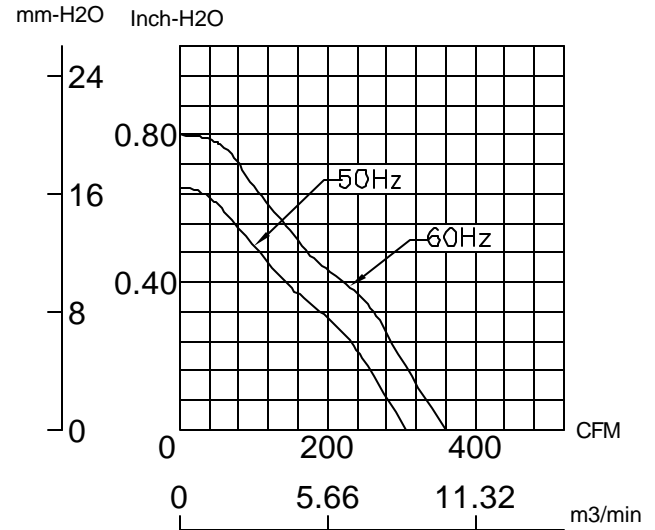
REVISIONS

DOC. NO. SPC-F008 * Effective: 7/8/02 * DCP No: 1398

DCP #	REV	DESCRIPTION	DRAWN	DATE	CHECKD	DATE	APPRVD	DATE
1943	A	RELEASED	JN	12/29/08	JWM	12/29/08	JWM	12/29/08



PERFORMANCE



DISCLAIMER: ALL STATEMENTS AND TECHNICAL INFORMATION CONTAINED HEREIN ARE BASED UPON INFORMATION AND/OR TESTS WE BELIEVE TO BE ACCURATE AND RELIABLE. SINCE CONDITIONS OF USE ARE BEYOND OUR CONTROL, THE USER SHALL DETERMINE THE SUITABILITY OF THE PRODUCT FOR THE INTENDED USE AND ASSUME ALL RISK AND LIABILITY WHATSOEVER IN CONNECTION THEREWITH.

TOLERANCES: UNLESS OTHERWISE SPECIFIED, DIMENSIONS ARE FOR REFERENCE PURPOSES ONLY.

DRAWN BY:	DATE:
Jason Nash	12/29/08
CHECKED BY:	DATE:
JWM	12/29/08
APPROVED BY:	DATE:
JWM	12/29/08

DRAWING TITLE: AXIAL AC FAN, 115VAC			
SIZE: A	DWG. NO.: MC25027	ELECTRONIC FILE: 31P7357.dwg	REV: A
SCALE: NTS	U.O.M.: Millimeters	SHEET: 1 OF 1	



ALL RIGHTS RESERVED. NO PORTION OF THIS PUBLICATION, WHETHER IN WHOLE OR IN PART CAN BE REPRODUCED WITHOUT THE EXPRESS WRITTEN CONSENT OF SPC TECHNOLOGY.

SPC-F008.DWG

REVISIONS

DOC. NO. SPC-F008 * Effective: 7/8/02 * DCP No: 1308

DCP #	REV	DESCRIPTION	DRAWN	DATE	CHECKD	DATE	APPRVD	DATE
1843	A	RELEASED	JN	12/29/08	JWM	12/29/08	JWM	12/29/08



SPECIFICATIONS

- 1-1. Rated Voltage : 115 VAC 50/ 60 Hz
- 1-2. Operating Voltage Range : 75-125 VAC
- 1-3. Starting Voltage : 75 VAC (25°C POWER ON/OFF)
- 1-4. Rated Speed : 2800/3250 RPM ± 10 %
- 1-5. Air Delivery : 315/335 CFM
- 1-6. Static Pressure : 0.65/.80 Inch-H2O
- 1-7. Rated Current : 0.25/0.27 AMP
- 1-8. Rated Power : 24/30 WATTS
- 1-9. Noise Level : 62/66 dB(A)
- 1-10. Direction of Rotation : Clockwise viewed from front fan blade
- 1-11. Operating Temperature : -10 to +70 Deg.C
- 1-12. Storage Temperature : -40 to +70 Deg.C
- 1-13. Bearing System : Precise ball bearing system
- 1-14. Weight : 1960 g
- 1-16. Safety: UL/CUR/CE Approved

Characteristics

- 1. Motor Design : Reliable Alveolate Motor Construction.
- 2. Insulation Resistance : 500 Megohms minimum at 500 VDC.
- 3. Dielectric Strength : 1800 VAC for one second.
- 4. Motor Protection : Thermal protection & Class B (II)
- 5. Noise Level : Measured in semi-anechoic chamber with background noise level below 15 dB(A). The fan is running in free air with the microphone at a distance of one meter from the fan intake.
- 6. Tolerance : ±15 % on rated power and current.
- 7. Air Performance : Measured by a double chamber. the values are recorded when the fan speed has stabilized at rated voltage.

DISCLAIMER:
ALL STATEMENTS AND TECHNICAL INFORMATION CONTAINED HEREIN ARE BASED UPON INFORMATION AND/OR TESTS WE BELIEVE TO BE ACCURATE AND RELIABLE. SINCE CONDITIONS OF USE ARE BEYOND OUR CONTROL, THE USER SHALL DETERMINE THE SUITABILITY OF THE PRODUCT FOR THE INTENDED USE AND ASSUME ALL RISK AND LIABILITY WHATSOEVER IN CONNECTION THEREWITH.

TOLERANCES:
UNLESS OTHERWISE SPECIFIED, DIMENSIONS ARE FOR REFERENCE PURPOSES ONLY.

DRAWN BY:	DATE:
Jason Nash	12/29/08
CHECKED BY:	DATE:
JWM	12/29/08
APPROVED BY:	DATE:
JWM	12/29/08

DRAWING TITLE: AXIAL AC FAN, 115VAC			
SIZE	DWG. NO.	ELECTRONIC FILE	REV
A	MC25027	31P7357.dwg	A
SCALE: NTS	U.O.M.: Millimeters	SHEET: 1 OF 1	