

Carrier_BT807042_SOIC-8_V

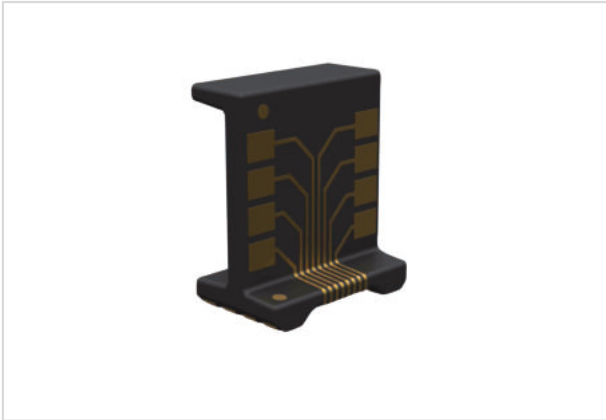


Image is for illustration purposes only. Please refer to product description.

| | |
|--------------------|---|
| Part number | 78 01 030 0004 |
| Specification | Carrier_BT807042_SOIC-8_V |
| HARTING eCatalogue | https://b2b.harting.com/78010300004 |

Identification

| | |
|---------------|-----------------------------------|
| Category | Surface Mount Device |
| Series | 3D-MID |
| Element | Carrier for electronic components |
| Specification | Interconnection |
| Features | SOIC-8 |

Version

| | |
|---------------|------------------------------------|
| Fixing | PCB assembly (SMD) |
| Pack contents | Tape & reel 1200 pieces on reel |

Technical characteristics

| | |
|-----------------------|-----------------|
| Operating temperature | -40 ... +125 °C |
| Storage temperature | -40 ... +125 °C |

Material properties

| | |
|--------------------|---|
| Material | Liquid crystal polymer (LCP) |
| Surface (contacts) | Au ($\geq 0.05 \mu\text{m}$) over Ni ($\geq 4 \mu\text{m}$) over Cu (5...11 μm) |
| Length | 8 mm |
| Width | 7 mm |
| Height | 4.2 mm |

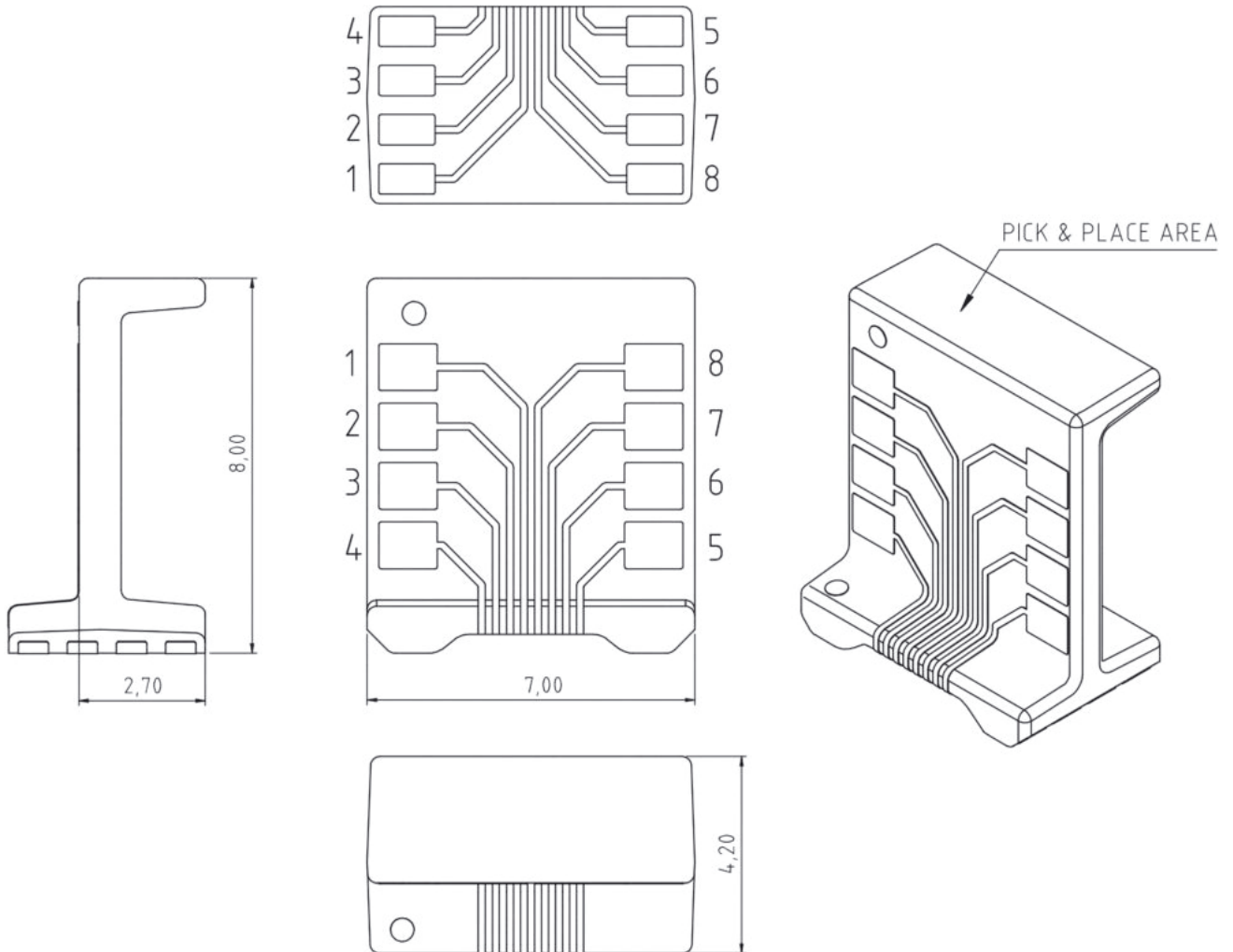
Commercial data

| | |
|--------------------------------|---|
| Packaging size | 1 |
| Country of origin | Switzerland |
| European customs tariff number | 85340019 |
| eCl@ss | 27469090 PCB connection technology (other, unspecified) |

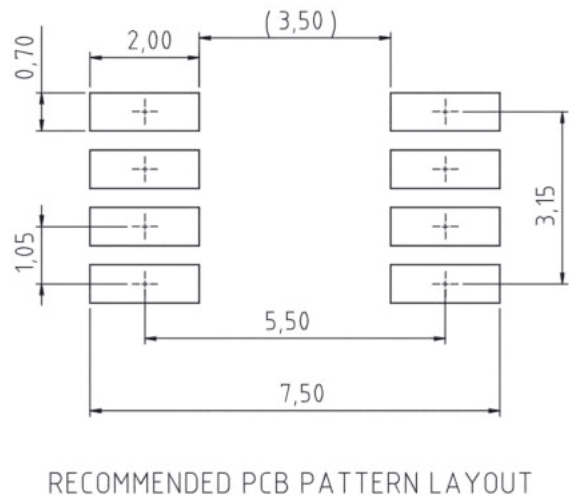
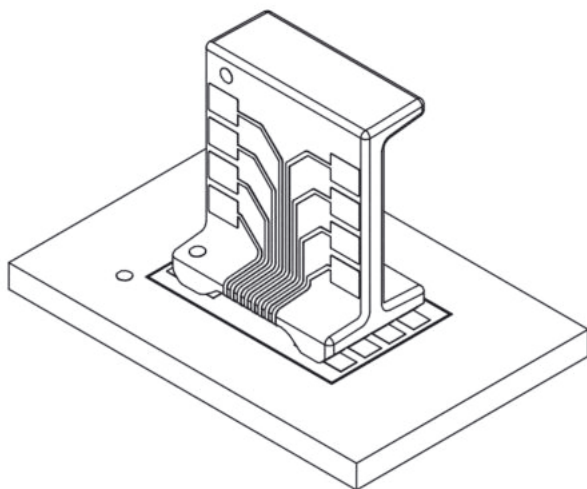
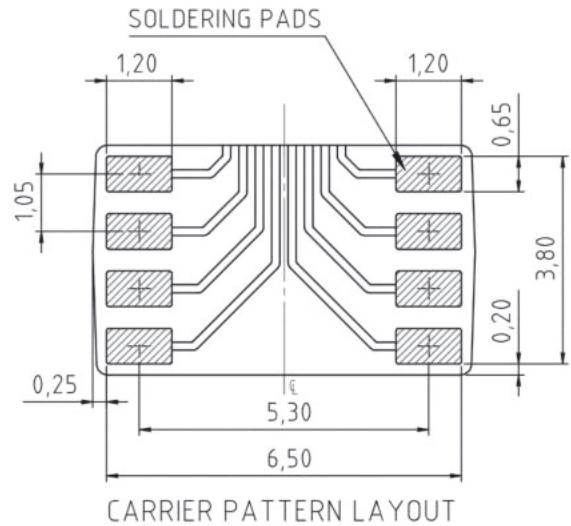
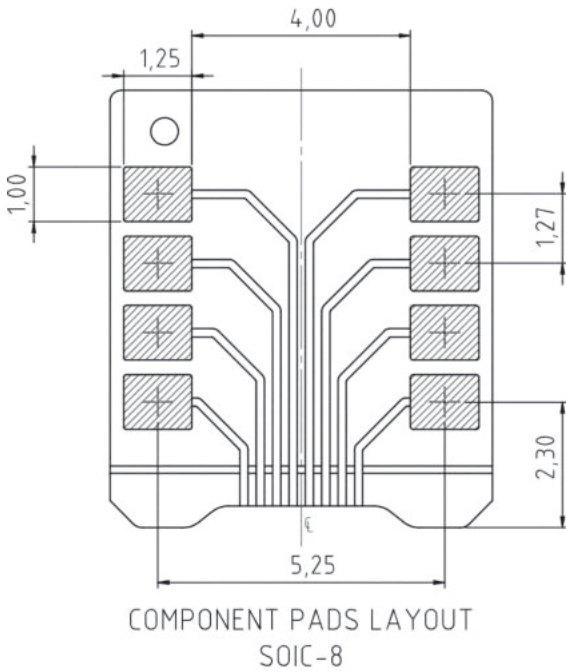
Other materials or trace layouts on request!



Drawing (dimensions in mm)



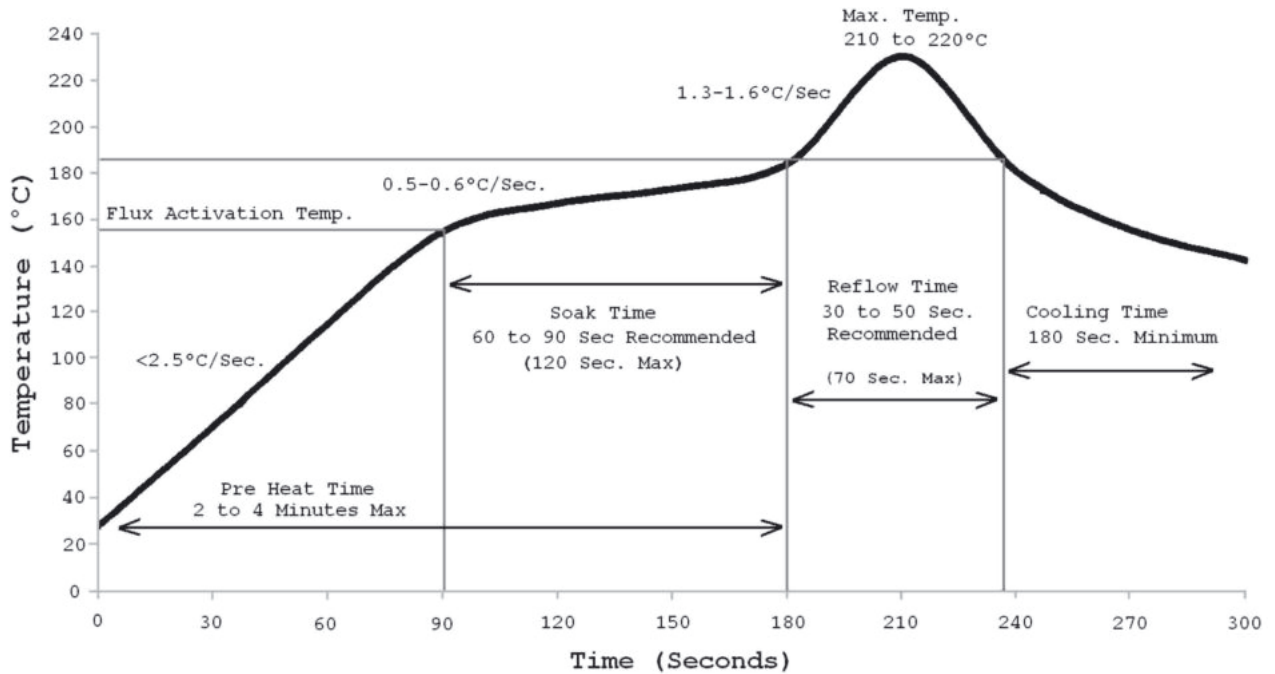
Drawing (dimensions in mm)



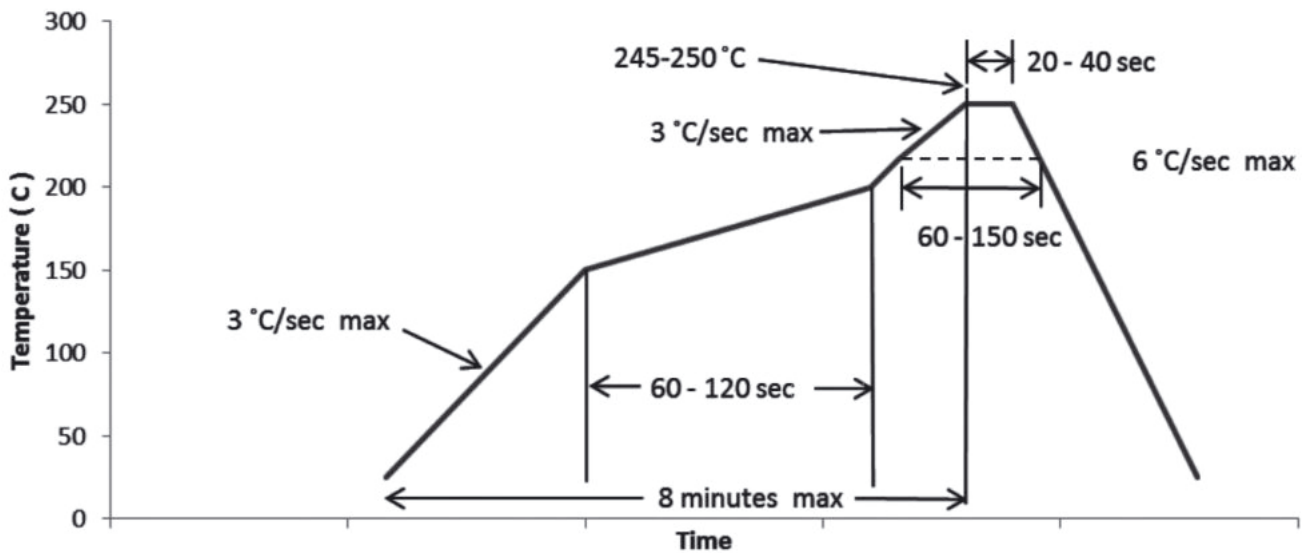


Pushing Performance

Soldering instructions



PB-free soldering profile
 (J-STD-020C)

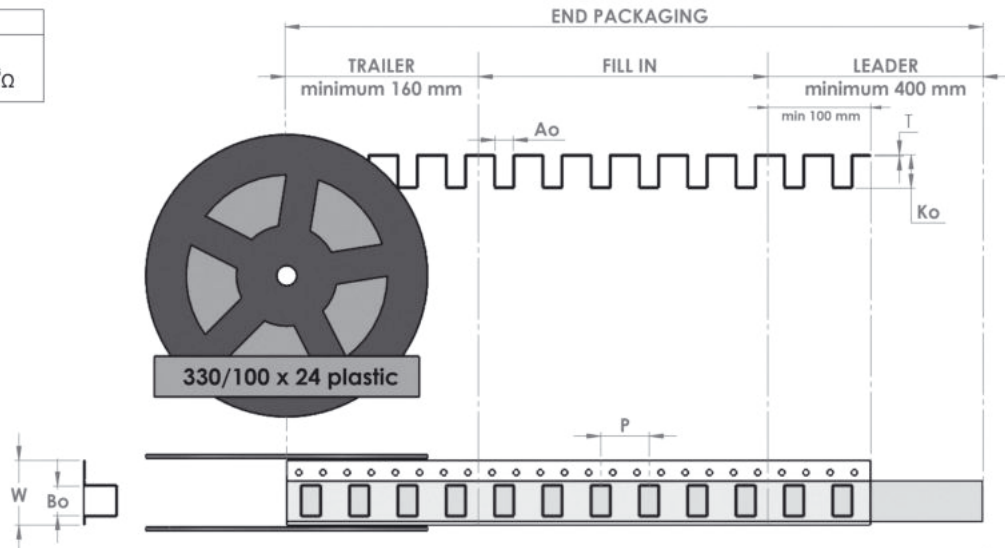



Tape layout & packaging

BT807042

| MATERIAL | |
|--|--|
| PS Conductive Black | |
| surface resistance $10^7 \Omega - 10^5 \Omega$ | |

| DIMENSIONS | |
|-----------------|----------|
| W | = 24 mm |
| P | = 12 mm |
| T | = 0,5 mm |
| Ao | = 4,5 mm |
| Bo | = 7,3 mm |
| Ko | = 8,3 mm |
| TRAILER 14 cvt | |
| FILL IN 600 pcs | |
| LEADER 34 cvt | |



| PACKING | | | | |
|-----------|---|-----------------------|-------------------|---------------------|
| | | REEL | BOX | PALLET |
| LENGTH | | 23m | 230m | 2,760 m |
| CAVITIES | | 1917 cvt | 19170 cavities | 230040 cavities |
| PARTS | | 1200 pcs [2x600] | 12000 pcs | 144000 pcs |
| WEIGHT |  | 0,65kg | 7,85 kg | 109,18 kg |
| QTY | | Single Reel | 10 reels/box | 12 boxes/pallet |
| DIMENSION | | 560/76 x 24 cardboard | 39 x 58 x 58 [cm] | 80 x 120 x 190 [cm] |