

## **HAR 24xy**

High-Precision Dual-Die Programmable  
Linear Hall-Effect Sensor Family

---

**Copyright, Warranty, and Limitation of Liability**

The information and data contained in this document are believed to be accurate and reliable. The software and proprietary information contained therein may be protected by copyright, patent, trademark and/or other intellectual property rights of Micronas. All rights not expressly granted remain reserved by Micronas.

Micronas assumes no liability for errors and gives no warranty representation or guarantee regarding the suitability of its products for any particular purpose due to these specifications.

By this publication, Micronas does not assume responsibility for patent infringements or other rights of third parties which may result from its use. Commercial conditions, product availability and delivery are exclusively subject to the respective order confirmation.

Any information and data which may be provided in the document can and do vary in different applications, and actual performance may vary over time.

All operating parameters must be validated for each customer application by customers' technical experts. Any new issue of this document invalidates previous issues. Micronas reserves the right to review this document and to make changes to the document's content at any time without obligation to notify any person or entity of such revision or changes. For further advice please contact us directly.

Do not use our products in life-supporting systems, military, aviation, or aerospace applications! Unless explicitly agreed to otherwise in writing between the parties, Micronas' products are not designed, intended or authorized for use as components in systems intended for surgical implants into the body, or other applications intended to support or sustain life, or for any other application in which the failure of the product could create a situation where personal injury or death could occur.

No part of this publication may be reproduced, photocopied, stored on a retrieval system or transmitted without the express written consent of Micronas.

**Micronas Trademarks**

– HAL

**Third-Party Trademarks**

All other brand and product names or company names may be trademarks of their respective companies.

**Contents**

<b>Page</b>	<b>Section</b>	<b>Title</b>
<b>4</b>	<b>1.</b>	<b>Introduction</b>
4	1.1.	Major Applications
5	1.2.	Features
<b>6</b>	<b>2.</b>	<b>Ordering Information</b>
6	2.1.	Device-Specific Ordering Codes
<b>7</b>	<b>3.</b>	<b>Functional Description</b>
7	3.1.	General Function
9	3.2.	Signal Path and Register Definition
9	3.2.1.	Signal Path
10	3.2.2.	Register Definition
10	3.2.2.1.	RAM registers
12	3.2.2.2.	EEPROM Registers
14	3.2.2.3.	NVRAM Registers
15	3.2.2.4.	Setpoint Linearization Accuracy
16	3.3.	On-Board Diagnostic Features
18	3.4.	Calibration of the Sensor
<b>19</b>	<b>4.</b>	<b>Specifications</b>
19	4.1.	Outline Dimensions
21	4.2.	Soldering, Welding and Assembly
21	4.3.	Pin Connections and Short Descriptions
21	4.4.	Dimensions of Sensitive Area
21	4.5.	Package Parameter and Position of Sensitive Areas
22	4.6.	Absolute Maximum Ratings
22	4.7.	Storage and Shelf Life
23	4.8.	Recommended Operating Conditions
24	4.9.	Characteristics
26	4.10.	Open-Circuit Detection
26	4.11.	Overvoltage and Undervoltage Detection
27	4.12.	Output Short Detection Parameter
27	4.13.	Output Voltage in Case of Error Detection
28	4.14.	Magnetic Characteristics
29	4.14.1.	Definition of Sensitivity Error ES
<b>30</b>	<b>5.</b>	<b>Application Notes</b>
30	5.1.	Application Circuit
30	5.2.	Measurement of a PWM Output Signal of HAR 2455
30	5.3.	Ambient Temperature
30	5.4.	Pad Size Layout
<b>31</b>	<b>6.</b>	<b>Programming of the Sensor</b>
31	6.1.	Programming Interface
32	6.2.	Programming Environment and Tools
32	6.3.	Programming Information
<b>33</b>	<b>7.</b>	<b>Data Sheet History</b>

## High-Precision Dual-Die Programmable Linear Hall-Effect Sensor Family

**Release Note: Revision bars indicate significant changes to the previous edition.**

### 1. Introduction

HAR 24xy is a dual-die programmable linear Hall-effect sensor family. It provides redundancy as it consists of two independent dies stacked in a single package, each bonded to a separate side of the leadframe. The stacked-die architecture ensures that both dies occupy the same magnetic field position, thus generating synchronous measurement outputs.

The integrated dies are two HAL 24xy, universal magnetic field sensors with linear analog or PWM outputs based on the Hall effect. For both dies major characteristics like magnetic field range, sensitivity, output quiescent voltage (output voltage at  $B=0$  mT), and output voltage range are programmable in non-volatile memories. The output characteristics are ratiometric, which means that the output voltages are proportional to the magnetic flux and the supply voltage. Additionally, both dies offer wire-break detection.

Each die of the HAR 24xy offers 16 setpoints to change the output characteristics from linear to arbitrary or vice versa. They feature temperature-compensated Hall plates with spinning current offset compensation, A/D converters, digital signal processing, D/A converters with output driver (HAR 2425), programmable PWM output modules (HAR 2455), EEPROMs with redundancy and lock function for calibration data, serial interfaces for programming the EEPROMs, and protection devices at all pins. The internal digital signal processing prevents the signal being influenced by analog offsets, temperature shifts, and mechanical stress.

The easy programmability allows individual adjustment of each HAR 24xy during the final manufacturing process by means of a 2-point calibration, by adjusting the output signals directly to the input signal (like mechanical angle, distance, or current). With this calibration procedure, the tolerances of the sensor, the magnet-, and the mechanical positioning can be compensated in the final assembly.

In addition, the temperature compensation of the Hall ICs can be fit to all common magnetic materials by programming first- and second-order temperature coefficients of the Hall sensor sensitivity.

It is also possible to compensate offset drift over temperature generated by the customer application with a first-order temperature coefficient for the sensors offset. This enables operation over the full temperature range with a high accuracy.

The calculation of the individual sensors characteristics and the programming of the corresponding EEPROMs can easily be done with a PC and the application kit from Micronas.

The sensors are designed for stringent industrial and automotive applications and are AECQ100 qualified. They operate with typically 5 V supply voltage in the junction temperature range from  $-40$  °C up to  $170$  °C. The HAL 24xy is available in the ultra-thin shrink small outline 14 leads package TSSOP14-1.

#### 1.1. Major Applications

Thanks to its redundancy capability, HAR 24xy can address safety-critical applications. The sensors' versatile programming characteristics and low temperature drifts make the HAR 24xy the optimal system solution for:

- Angular measurements: throttle position, pedal position, steering torque and EGR applications;
- Distance and linear movement measurements in safety-critical applications
- Magnetic field and current measurement with specific resolution over different ranges, by appropriate sensitivity programming for each die.

## 1.2. Features

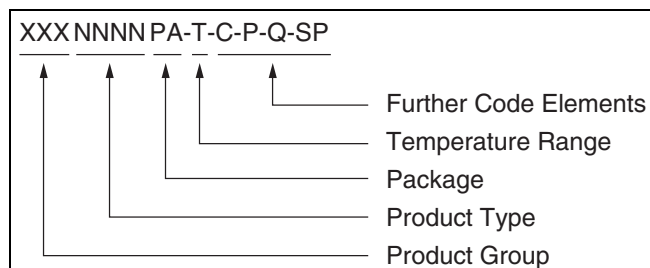
High-precision, redundant, linear Hall-effect sensor with two independent 12-bit analog outputs (HAR 2425) or with two independent PWM outputs up to 2 kHz (HAR 2455).

Each die provides:

- 16 setpoints for various output signal shapes
- 16 bit digital signal processing
- Multiple customer-programmable magnetic characteristics in a non-volatile memory with redundancy and lock function
- Programmable temperature compensation for sensitivity and offset
- Magnetic field measurements in the range up to  $\pm 200$  mT
- Low output voltage drifts over temperature
- Active open-circuit (ground and supply line break detection) with 5 k $\Omega$  pull-up and pull-down resistor, overvoltage and undervoltage detection
- Programmable clamping function
- Digital readout of temperature and magnetic field information in calibration mode
- Programming and operation of multiple sensors at the same supply line
- Active detection of output short between two sensors
- High immunity against mechanical stress, ESD, and EMC
- Operation from  $T_J = -40$  °C up to 170 °C
- Operation from 4.5 V up to 5.5 V supply voltage in specification and functions up to 8.5 V
- Operation with static magnetic fields and dynamic magnetic fields up to 2 kHz
- Overvoltage and reverse-voltage protection at all pins
- Short-circuit protected push-pull output

## 2. Ordering Information

A Micronas device is available in a variety of delivery forms. They are distinguished by a specific ordering code:



**Fig. 2–1:** Ordering Code Principle

For a detailed information, please refer to the brochure: “Hall Sensors: Ordering Codes, Packaging, Handling”.

### 2.1. Device-Specific Ordering Codes

The HAR 24xy is available in the following package and temperature variants.

**Table 2–1:** Available packages

Package Code (PA)	Package Type
GP	TSSOP14-1

**Table 2–2:** Available temperature ranges

Temperature Code (T)	Temperature Range
A	$T_J = -40\text{ °C to }+170\text{ °C}$

The relationship between ambient temperature ( $T_A$ ) and junction temperature ( $T_J$ ) is explained in Section 5.3. on page 30.

For available variants for Configuration (C), Packaging (P), Quantity (Q), and Special Procedure (SP) please contact Micronas.

**Table 2–3:** Available ordering codes and corresponding package marking

Ordering Code	Package Marking
HAR2425GP-A-[C-P-Q-SP]	HAR2425A
HAR2455GP-A-[C-P-Q-SP]	HAR2455A

**3. Functional Description**

**3.1. General Function**

HAR 24xy is a dual-die integrated circuit. The two dies have independent pins for power supply, ground, and output to guaranty full redundancy. Due to the stacked assembly they are in the same magnetic field position, and thereby generating synchronous measurement outputs. The HAR 2425 provides redundant output voltages proportional to the magnetic flux through the Hall plates and proportional to the supply voltage (ratiometric behavior). The HAR 2455 offers PWM outputs.

The external magnetic field component perpendicular to the branded side of the package generates a Hall voltage. The Hall IC is sensitive to magnetic north and south polarity. For each die this voltage is converted to a digital value, processed in the Digital Signal Processing unit (DSP) according to the settings of the EEPROM registers, converted back to an analog voltage with ratiometric behavior and buffered by a push-pull output transistor stage (HAR 2425) or output as PWM signal (HAR 2455).

The setting of a LOCK bit disables the programming of the EEPROM memory for all time. This bit cannot be reset by the customer.

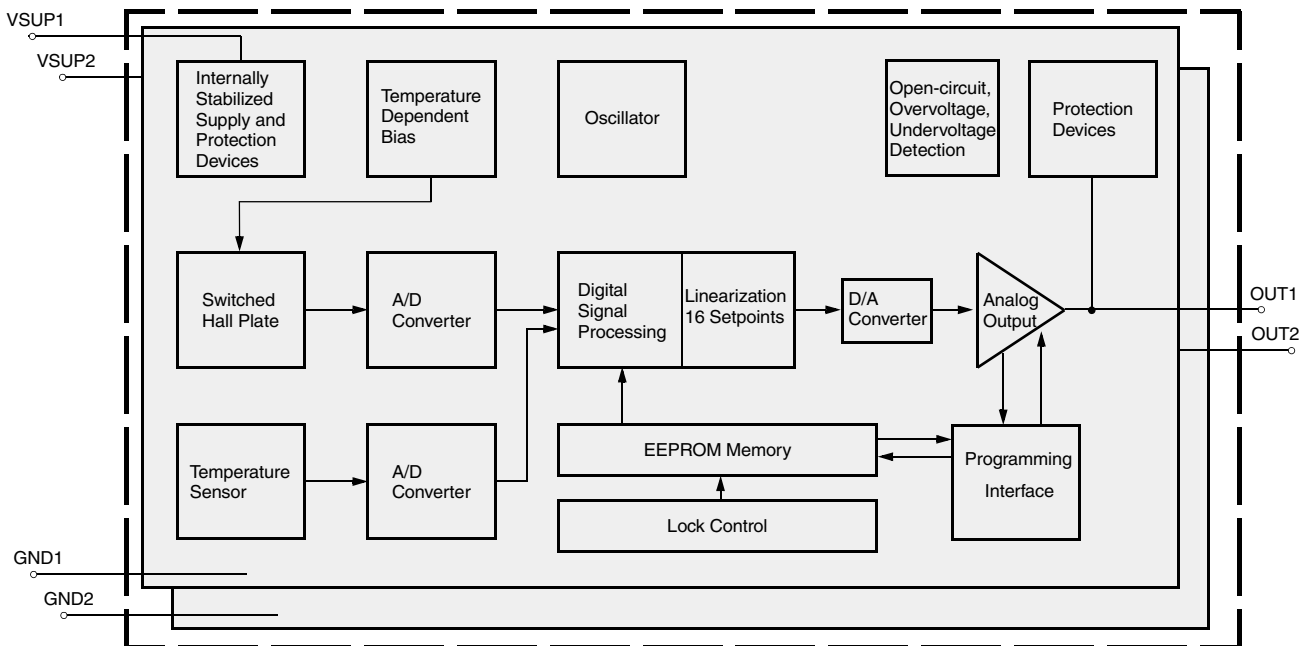
As long as the LOCK bit is not set, the output characteristic can be adjusted by programming the EEPROM registers. The IC is addressed by modulating the output voltage.

In the supply voltage range from 4.5 V up to 5.5 V, the sensor generates an analog output voltage (HAR 2425) or a PWM signal (HAR 2455). After detecting a command, the sensor reads or writes the memory and answers with a digital signal on the output pin. The analog output is switched off during the communication.

Several sensors in parallel to the same supply and ground line can be programmed individually. The selection of each sensor is done via its output pin. See Programming Guide HAL 24xy and HAR 24xy.

The open-circuit detection provides a defined output voltage if the VSUP or GND line is broken.

Internal temperature compensation circuitry and the spinning-current offset compensation enable operation over the full temperature range with minimal changes in accuracy and high offset stability. The circuitry also reduces offset shifts due to mechanical stress from the package. In addition, the sensor IC is equipped with overvoltage and reverse-voltage protection at all pins.



**Fig. 3-1:** HAR2425 block diagram

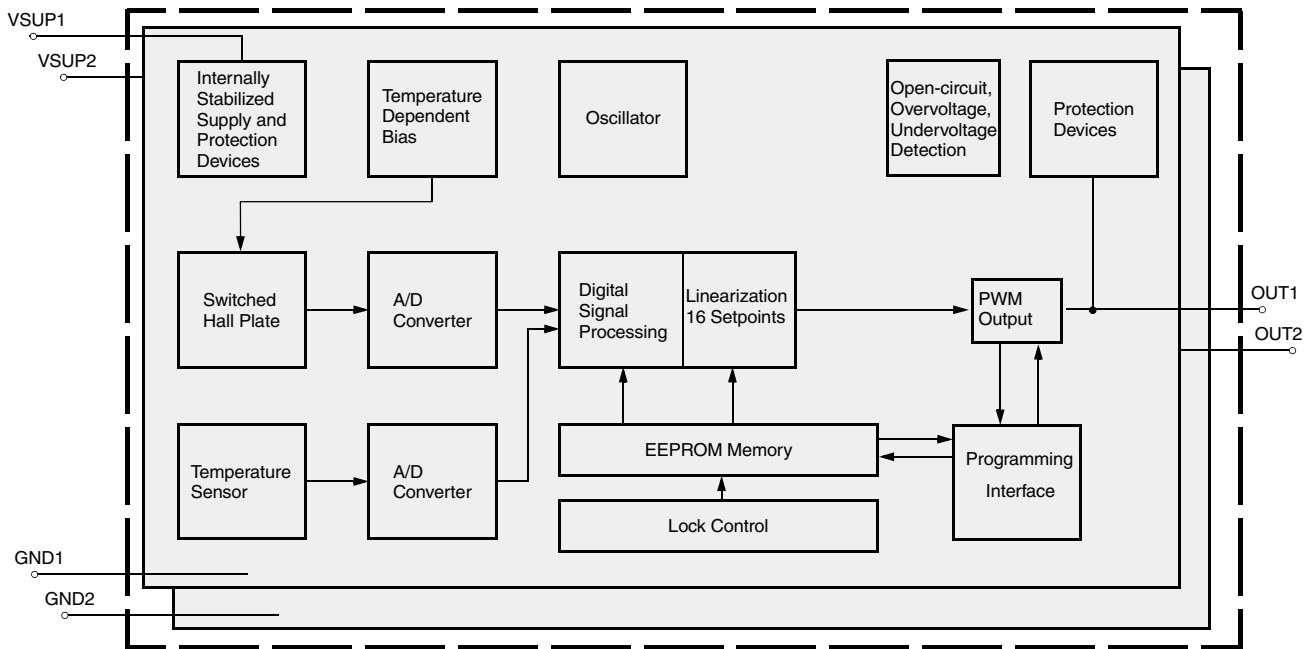


Fig. 3-2: HAR 2455 block diagram



3.2. Signal Path and Register Definition

3.2.1. Signal Path

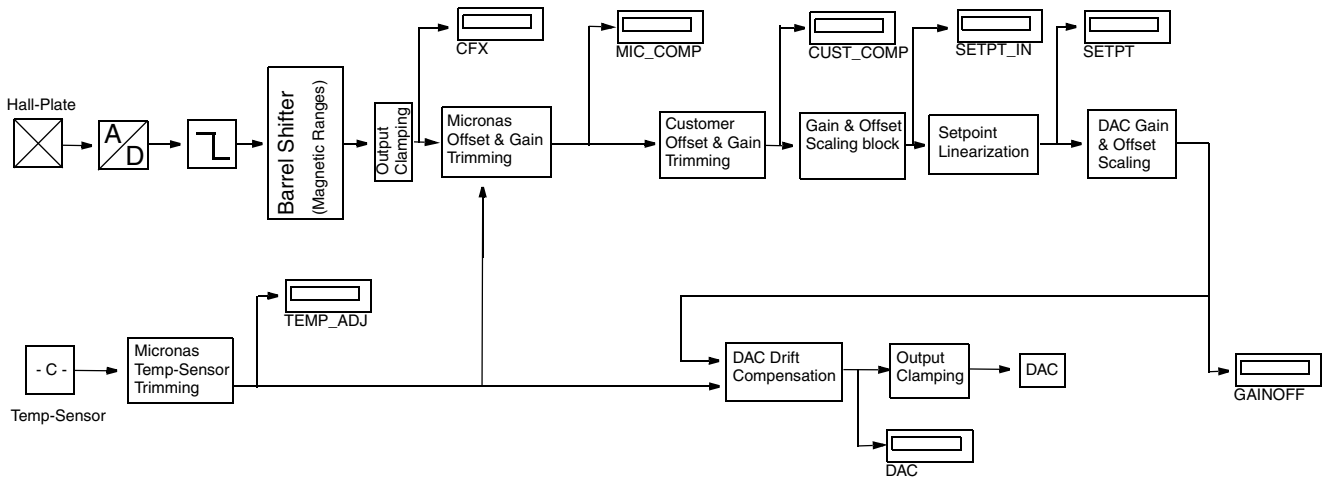


Fig. 3-3: Signal path of HAR2425 (identical for both dies)

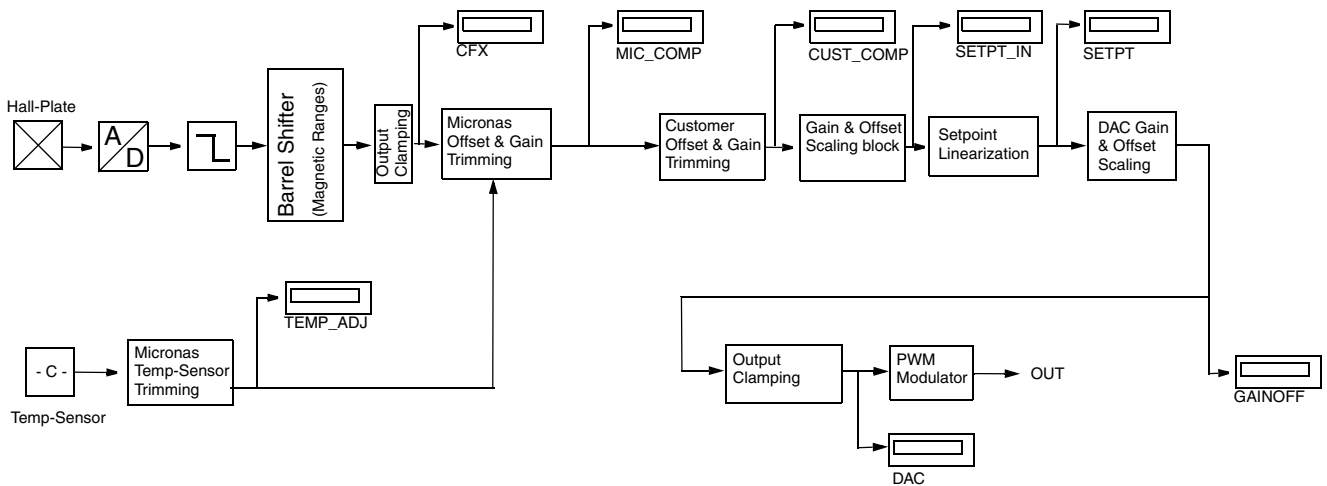


Fig. 3-4: Signal path of HAR 2455 (identical for both dies)

### 3.2.2. Register Definition

The DSP is the major part of each die and performs the signal conditioning. The parameters for the DSP are stored in the EEPROM registers. The details are shown in Fig. 3–5 and Fig. 3–7.

#### Terminology:

GAIN: Name of the register or register value

Gain: Name of the parameter

The sensors signal path contains two kinds of registers. Registers that are readout only (RAM) and programmable registers (EEPROM & NVRAM). The RAM registers contain measurement data at certain positions of the signal path and the EEPROM registers have influence on the sensors signal processing.

#### 3.2.2.1. RAM registers

##### TEMP\_ADJ

The TEMP\_ADJ register contains the calibrated temperature sensor information. TEMP\_ADJ can be used for the sensor calibration over temperature. This register has a length of 16 bit and it is two's-complement coded. Therefore the register value can vary between  $-32768...32767$ .

##### CFX

The CFX register is representing the magnetic field information directly after A/D conversion, decimation filter and magnetic range (barrel shifter) selection. The register content is not temperature compensated. The temperature variation of this register is specified in Section 4.14. on page 28 by the parameter RANGE<sub>ABS</sub>.

---

**Note:** During application design, it must be taken into consideration that CFX should never overflow in the operational range of the specific application and especially over the full temperature range. In case of a potential overflow the barrel shifter should be switched to the next higher range.

---

This register has a length of 16 bit and it is two's-complement coded. Therefore the register value can vary between  $-32768...32767$ . CFX register values will increase for positive magnetic fields (south pole) on the branded side of the package (positive CFX values) and it will decrease with negative magnetic field polarity.

##### MIC\_COMP

The MIC\_COMP register is representing the magnetic field information directly after the Micronas temperature trimming. The register content is temperature compensated and has a typical gain drift over temperature of 0 ppm/k. Also the offset and its drift over temperature is typically zero. The register has a length of 16 bit and it is two's-complement coded. Therefore the register value can vary between  $-32768...32767$ .

##### CUST\_COMP

The CUST\_COMP register is representing the magnetic field information after the customer temperature trimming. For HAR 2425 it is possible to set a customer specific gain of second order over temperature as well as a customer specific offset of first order over temperature. The customer gain and offset can be set with the EEPROM registers TCCO0, TCCO1 for offset and TCCG0...TCCG2 for gain. Details of these registers are described on the following pages.

The register has a length of 16 bit and it is two's-complement coded. Therefore the register value can vary between  $-32768...32767$ .

##### SETPT\_IN

The SETPT\_IN register offers the possibility to read the magnetic field information after the scaling of the input signal to the input range of the linearization block. For further details see the description of the EEPROM registers SCALE\_GAIN and SCALE\_OFFSET that are described in the next chapter.

The register has a length of 16 bit and it is two's-complement coded. Therefore the register value can vary between  $-32768...32767$ .

##### SETPT

The SETPT register offers the possibility to read the magnetic field information after the linearization of the magnetic field information with 16 setpoints. This information is also required for the correct setting of the sensors DAC GAIN and OFFSET in the following block.

The register has a length of 16 bit and it is two's-complement coded. Therefore the register value can vary between  $-32768...32767$ .

**GAINOFF**

The GAINOFF register offers the possibility to read the magnetic field information after the DAC GAIN and OFFSET scaling.

This register has a length of 16 bit and it is two’s-complement coded. Therefore the register value can vary between –32768...32767.

**DAC**

The DAC register offers the possibility to read the magnetic field information at the end of the complete signal path. The value of this register is then converted into an analog output voltage.

The register has a length of 16 bit and it is two’s-complement coded. Therefore the register value can vary between –32768...32767.

**MIC\_ID1 and MIC\_ID2**

The two registers MIC\_ID1 and MIC\_ID2 are used by Micronas to store production information like, wafer number, die position on wafer, production lot, etc. Both registers have a length of 16 bit each and are readout only.

**PWM Frequency**

The PWM frequency is selectable by 2 bits, which are part of the CUSTOMER SETUP register (bits 11:10). The CUSTOMER SETUP register is described on the following pages. The following four different frequencies can be used:

**Table 3–1:** Selectable PWM frequencies

PWM_FREQ		Frequency	Resolution
Bit 11	Bit 10		
1	1	2 kHz	11 bit
0	0	1 kHz	12 bit
0	1	500 Hz	12 bit
1	0	250 Hz	12 bit

**DIAGNOSIS**

The DIAGNOSIS register enables the customer to identify certain failures detected by the sensor. HAR 2425 performs certain self tests during power-up of the sensor and also during normal operation. The result of these self tests is stored in the DIAGNOSIS register. DIAGNOSIS register is a 16 bit register.

Bit no.	Function	Description
15:6	None	Reserved
5	State Machine (DSP) Self test	This bit is set to 1 in case that the statemachine self test fails. (continuously running)
4	EEPROM Self test	This bit is set to 1 in case that the EEPROM self test fails. (Performed during power-up only)
3	ROM Check	This bit is set to 1 in case that ROM parity check fails. (continuously running)
2	AD converter overflow	This bit is set to 1 in case the input signal is too high, indicating a problem with the magnetic range.
1:0	None	Reserved

Details on the sensor self tests can be found in Section 3.3. on page 16.

**PROG\_DIAGNOSIS**

The PROG\_DIAGNOSIS register enables the customer to identify errors occurring during programming and writing of the EEPROM or NVRAM memory. The customer must either check the status of this register after each write or program command or alternatively the second acknowledge. Please check the Programming Guide for HAL 24xy.

The PROG\_DIAGNOSIS register is a 16 bit register. The following table shows the different bits indicating certain errors possibilities.

Bit No.	Function	Description
15:11	None	Reserved
10	Charge Pump Error	This bit is set to 1 in case that the internal programming voltage was to low
9	Voltage Error during Program/ Erase	This bit is set to 1 in case that the internal supply voltage was to low during program or erase
8	NVRAM Error	This bit is set to 1 in case that the programming of the NVRAM failed
7:0	Memory Programming	For further information please refer to the Programming Guide for HAL 242x

3.2.2.2. EEPROM Registers

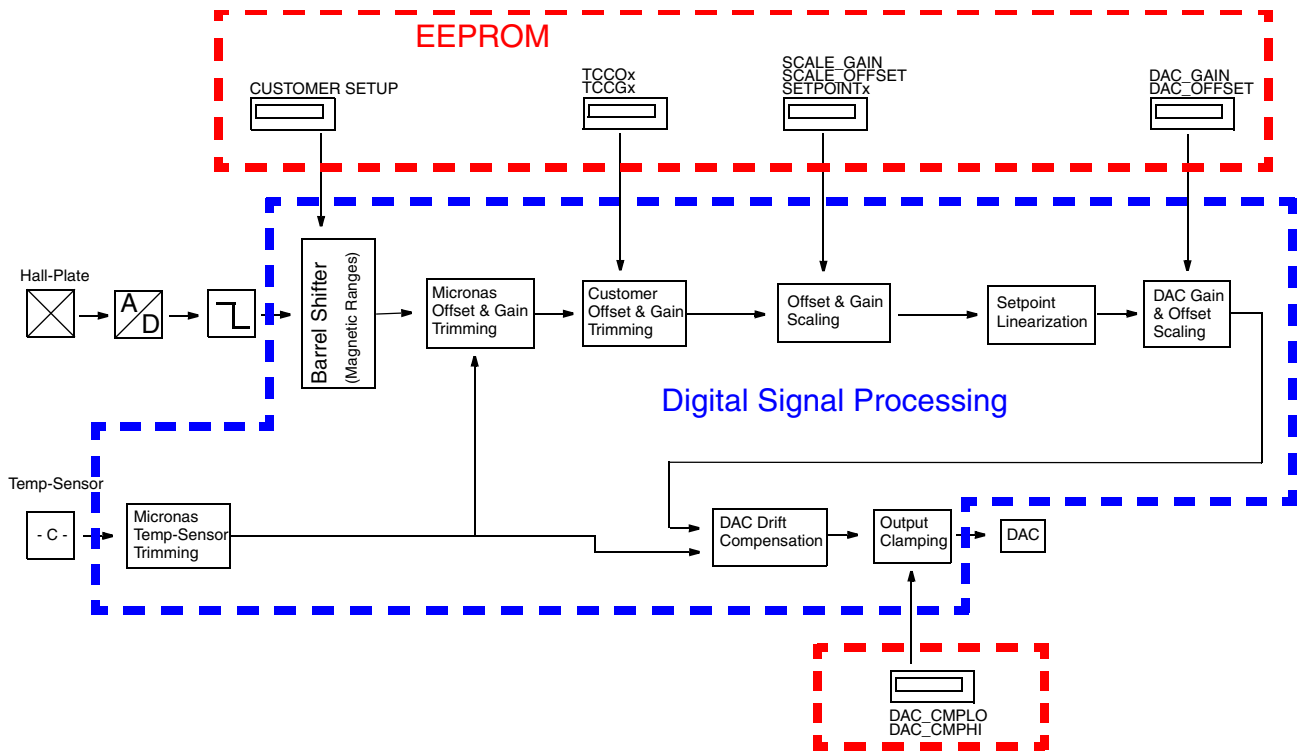


Fig. 3–5: Details of EEPROM and Digital Signal Processing for HAR 2425 (equal for both dies).

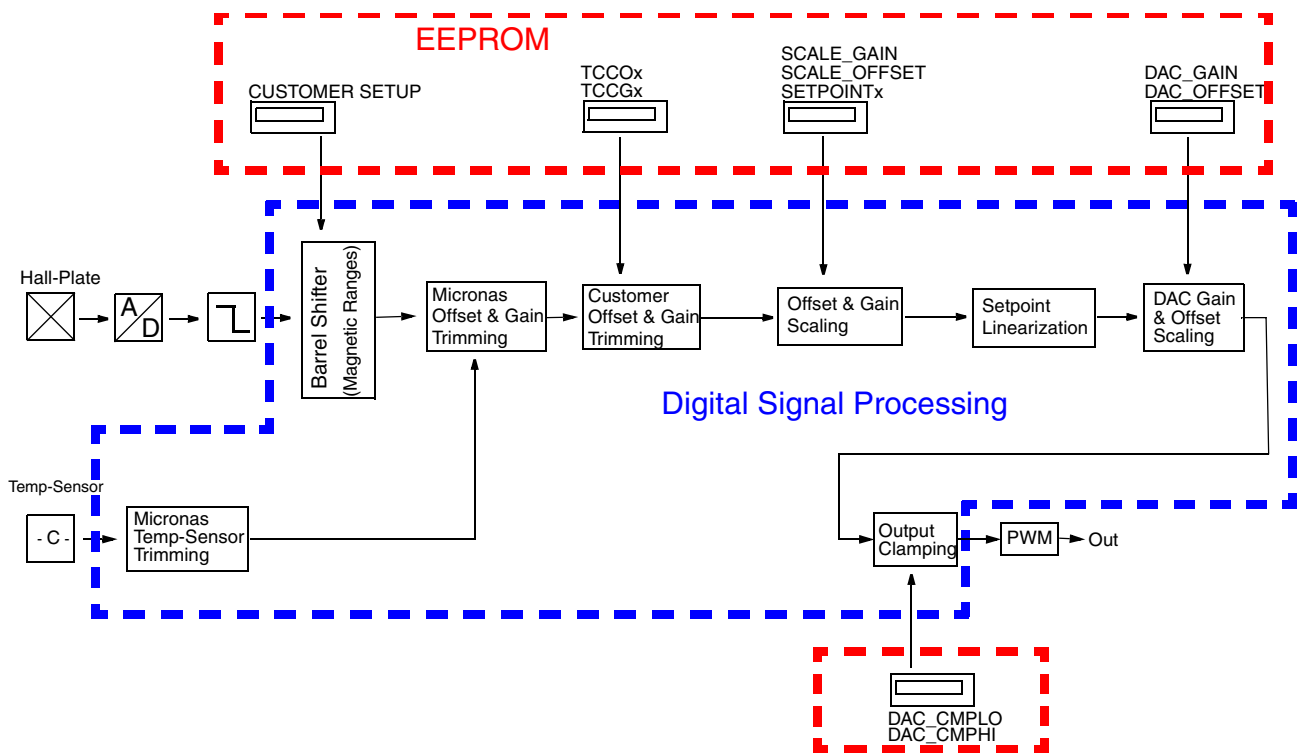


Fig. 3–6: Details of EEPROM and Digital Signal Processing for HAR 2455 (equal for both dies).

**CUST\_ID1 and CUST\_ID2**

The two registers CUST\_ID1 and CUST\_ID2 can be used to store customer information. Both registers have a length of 16 bit each.

**Barrel Shifter (Magnetic Ranges)**

The signal path of HAR 24xy contains a Barrel Shifter to emulate magnetic ranges. The customer can select between different magnetic ranges by changing the Barrel Shifter setting. After decimation filter the signal path has a word length of 22 bit. The Barrel Shifter selects 16 bit out of the available 22 bit.

The Barrel Shifter bits are part of the CUSTOMER SETUP register (bits 14...12). The CUSTOMER SETUP register is described on the following pages.

---

**Note:** In case that the external field exceeds the magnetic field range the CFX register will be clamped either to -32768 or 32767 depending on the sign of the magnetic field.

---

**Table 3–2:** Relation between Barrel Shifter setting and emulated magnetic range

BARREL SHIFTER	Used bits	Typ. magnetic range
0	22...7	not used
1	21...6	± 200 mT
2	20...5	± 100 mT
3	19...4	± 50 mT
4	18...3	± 25 mT
5	17...2	± 12 mT
6	16...1	± 6 mT

**Magnetic Sensitivity TCCG**

The TCCG (Sensitivity) registers (TCCG0...TCCG2) contain the customer setting temperature dependant gain factor. The multiplication factor is a second order polynomial of the temperature.

All three polynomial coefficients have a bit length of 16 bit and they are two's-complement coded. Therefore the register values can vary between -32768...32767. In case that the target polynomial is based on normalized values, then each coefficient can vary between -4 ... +4. To store each coefficient into the EEPROM it is necessary to multiply the normalized coefficients with 32768.

Example:

- Tccg0 = 0.5102 => TCCG0 = 16719
- Tccg1 = -0.0163 => TCCG1 = -536
- Tccg2 = 0.0144 => TCCG2 = 471

In case that the polynomial was calculated based on not normalized values of TEMP\_ADJ and MIC\_COMP, then it is not necessary to multiply the polynomial coefficients with a factor of 32768.

**Magnetic Sensitivity TCCO**

The TCCO (Offset) registers (TCCO0 and TCCO1) contain the parameters for temperature dependant offset correction. The offset value is a first order polynomial of the temperature.

Both polynomial coefficients have a bit length of 16 bit and they are two's-complement coded. Therefore the register values can vary between -32768...32767. In case that the target polynomial is based on normalized values, then each coefficient can vary between -4 ... +4. To store each coefficient into the EEPROM it is necessary to multiply the normalized coefficients with 32768.

In case that the polynomial was calculated based on not normalized values of TEMP\_ADJ and MIC\_COMP, then it is not necessary to multiply the polynomial coefficients.

In addition HAR 24xy features a linearization function based on 16 setpoints. The setpoint linearization in general allows to linearize a given output characteristic by applying the inverse compensation curve.

Each of the 16 setpoints (SETPT) registers have a length of 16 bit. The setpoints have to be computed and stored in a differential way. This means that if all setpoints are set to 0, then the linearization is set to neutral and a linear curve is used.

**Sensitivity and Offset Scaling before Setpoint Linearization SCALE\_GAIN/SCALE\_OFFSET**

The setpoint linearization uses the full 16 bit number range 0...32767 (only positive values possible). So the signal path should be properly scaled for optimal usage of all 16 setpoints.

For optimum usage of the number range an additional scaling stage is added in front of the set point algorithm. The setpoint algorithm allows positive input numbers only.

The input scaling for the linearization stage is done with the EEPROM registers SCALE\_GAIN and SCALE\_OFFSET. The register content is calculated based on the calibration angles. Both registers have a bit length of 16 bit and are two's-complement coded.

**Analog Output Signal Scaling with DAC\_GAIN/  
DAC\_OFFSET (HAR 2425)**

The required output voltage range of the analog output is defined by the registers DAC\_GAIN (Gain of the output) and DAC\_OFFSET (Offset of the output signal). Both register values can be calculated based on the angular range and the required output voltage range. They have a bit length of 16 bit and are two's-complemented coded.

**Output Signal Scaling with DAC\_GAIN/  
DAC\_OFFSET (HAR 2455)**

The required output duty cycle of the output is defined by the registers DAC\_GAIN (Gain of the output) and DAC\_OFFSET (Offset of the output signal). Both register values can be calculated based on the angular range and the required output PWM duty cycle range. They have a bit length of 16 bit and are two's-complemented coded.

**Clamping Levels**

The clamping levels DAC\_CMPHI and DAC\_CMPLO define the maximum and minimum output voltage of the analog output. The clamping levels can be used to define the diagnosis band for the sensor output. Both registers have a bit length of 16 bit and are two's-complemented coded. Both clamping levels can have values between 0% and 100% of V<sub>SUP</sub>

**3.2.2.3. NVRAM Registers**

**Customer Setup**

The CUST\_SETUP register is a 16 bit register that enables the customer to activate various functions of the sensor like, customer burn-in mode, diagnosis modes, functionality mode, customer lock, etc.

**Table 3–3:** Functions in CUST\_SETUP register

Bit No.	Function	Description
15	None	Reserved
14:12	Barrel Shifter	Magnetic Range (see Section Table 3–2: on page 13)
11:10	None (HAR 2425)	Reserved
	PWM frequency setting (HAR 2455)	PWM frequency selection (see Table 3–1 on page 11)
9:8	Output Short Detection	0: Disabled 1: High & low side over current detection -> OUT = V <sub>SUP</sub> in error case 2: High & low side over current detection -> OUT = GND in error case 3: Low side over current detection -> OUT = Tristate in error case

**Table 3–3:** Functions in CUST\_SETUP register

Bit No.	Function	Description
7	Error Band (HAR 2425)	Error band selection for locked devices (Customer Lock bit set). 0: High error band (V <sub>SUP</sub> ) 1: Low error band (GND) The sensor will always go to high error band as long as it is not locked (Customer Lock bit not set). (see Section 4.13. on page 27)
	PWM Output Polarity (OP) (HAR 2455)	0: PWM period starts with a high pulse 1: PWM period starts with a low pulse (effective after LC=1)
6	None	Reserved
5	Functionality Mode	Supply voltage supervision 0: extended: undervoltage (POR) 3.8 V, overvoltage 9 V 1: normal: undervoltage (POR) 4.2 V, overvoltage 6 V
4	Communication Mode (POUT)	Communication via output pin 0: Disabled 1: Enabled
3	Overvoltage Detection	0: Overvoltage detection active 1: Overvoltage detection disabled
2	Diagnosis Latch	Latching of diagnosis bits 0: No latching 1: Latched till next POR (power-on reset)
1	Diagnosis (HAR 2425)	0: Diagnosis errors force output to the selected error band 1: Diagnosis errors do not force output to the selected error band
	Diagnosis (HAR 2455)	0: Diagnosis errors force the PWM output into error mode (see Table 3–5 on page 18) 1: Diagnosis errors do not force the PWM output into error mode
0	Customer Lock	Bit must be set to 1 to lock the sensor memory

The Output Short Detection feature is implemented to detect a short circuit between two sensor outputs. The customer can define how the sensor should signalize a detected short circuit (see table above). The time interval in which the sensor is checking for an output short and the detectable short circuit current are defined in Section 4.12. on page 27.

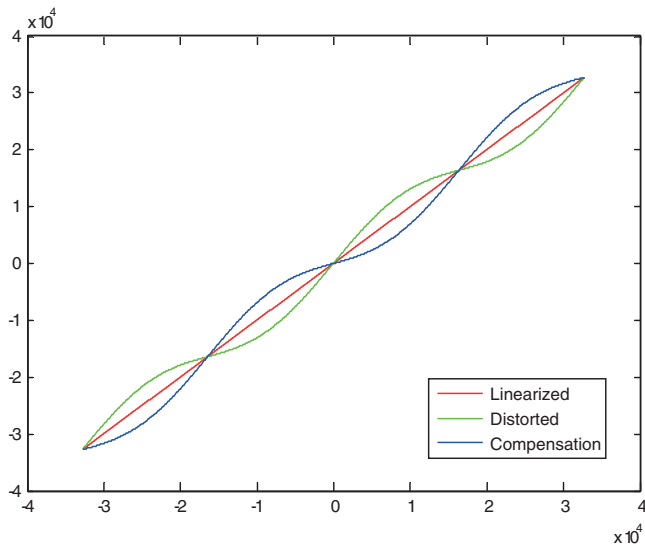
This feature should only be used in case that two sensors are used in one module. In case that the Output Short Detection is not active both sensors will try to drive their output voltage and the resulting voltage will be within the valid signal band.

**Note:** The Output Short Detection feature is only active after setting the Customer Lock bit and a power-on reset.

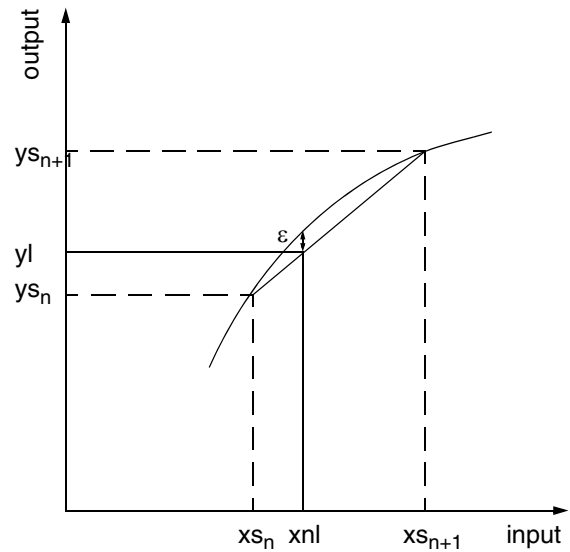
**3.2.2.4. Setpoint Linearization Accuracy**

The set point linearization in general allows to linearize a given output characteristic by applying the inverse compensation curve.

For this purpose the compensation curve will be divided into 16 segments with equal distance. Each segment is defined by two setpoints, which are stored in EEPROM. Within the interval, the output is calculated by linear interpolation according to the position within the interval.



**Fig. 3-7:** Linearization - Principle



**Fig. 3-8:** Linearization - Detail

- xnl: non linear distorted input value
- yl: linearized value
- $\epsilon$ : remaining error

The constraint of the linearization is that the input characteristic has to be a monotonic function. In addition to that it is recommended that the input does not have a saddle point or inflection point, i.e. regions where the input is nearly constant. This would require a high density of set points

### 3.3. On-Board Diagnostic Features

The HAR 24xy is made of two completely separated dies, each featuring two groups of diagnostic functions. The first group contains basic functions that are always active. The second group can be activated by the customer and contains supervision and self-tests related to the signal path and sensor memory.

Table 3–4 describes the HAR 24xy overall behavior in case of wiring faults.

#### Diagnostic Features that are Always Active:

- Wire break detection for supply and ground line
- Undervoltage detection
- Thermal supervision of output stage: overcurrent, short circuit, etc. (HAR 2455)

#### Diagnostic Features that can be Activated by Customer:

- Overvoltage detection
- EEPROM self-test at power-on
- Continuous ROM parity check
- Continuous state machine self-test
- Adder overflow

#### Failure Indication for HAR 24xy

- Each die indicates a fault immediately by switching the output signal to the selected error band in case that the diagnostic mode is activated by the customer. The customer can select if the output goes to the upper or lower error band by setting bit number 7 in the CUST\_SETUP register (Table 3–3 on page 14). Further details can be found in Section 4.13. on page 27.

The sensor switches the output to tristate if an over temperature is detected by the thermal supervision. The sensor switches the output to ground in case of a VSUP wire break.



**Table 3–4:** HAR 24xy behavior in case of faults

	Short Circuit to 5 V Supply	Short Circuit to GND	Short Circuit to Signal/s	Short Circuit to Battery (12 V)	Open Circuit
<b>Component Power Supply</b>	Normal	Component is not supplied: Wire break is active → output is tied to ground.	Voltage drop across external pull up resistor is too big to supply component.  Output is not predictable because device operates below recommended operating condition.	Supply above recommended operating condition.  See “Absolute Maximum Ratings” for stress rating.  Output is in over-voltage condition.	Component is not supplied: Wire break is active → output is tied to ground.
<b>Component Out Signal/s</b>	External pull-up resistor is bypassed by short which is below allowed minimal pull-up resistance.  See “Recommended Operating Conditions” for stress rating.  Out = 5 V supply	Output stage of component is short circuit to ground.  See “Recommended Operating Conditions” for stress rating.  Out = GND	Normal	Excess of Output Voltage over Supply Voltage.  See “Absolute Maximum Ratings” for stress rating.	Component output is disconnected from signal line. Signal line is pulled up to 5 V by external pull-up resistor.
<b>Component Ground</b>	Component is not supplied: Wire break is active → output is tied to 5 V supply.	Normal	Component is not supplied: Wire break is active → output is tied to 5 V supply.	Component is reversed biased.  See “Absolute Maximum Ratings” for stress rating.  Wire break is active → Out ? 8.5 V	Component is not supplied: Wire break is active → output is tied to 5 V supply.

### Failure Indication for HAR 2455

The HAR 2455 indicates a failure by changing the PWM frequency. The different errors are then coded in different duty-cycles.

**Table 3–5:** Failure indication for HAR 2455

Failure Mode	Frequency	Duty-Cycle
EEPROM and state machine self-test	50%	95%
Adder overflow	50%	85%
Overvoltage	50%	75%
Undervoltage	50%	100%

**Note:** In case of an error the sensor changes the selected PWM frequency. Example:  
During normal operation the PWM frequency is 1 kHz, in case of an error 500 Hz.

### 3.4. Calibration of the Sensor

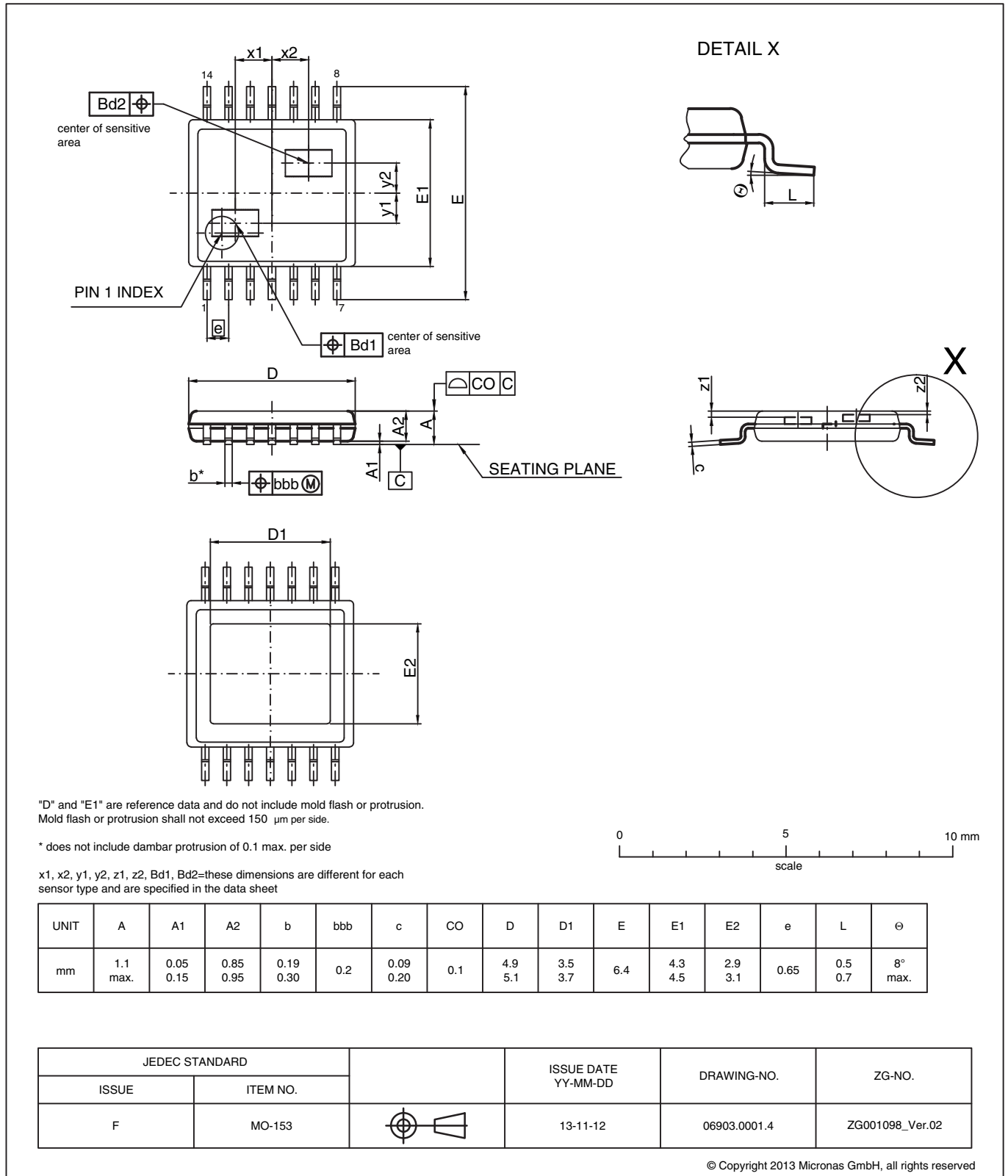
For calibration in the system environment, the application kit from Micronas is recommended. It contains the hardware for the generation of the serial telegram for programming and the corresponding LabView based programming environment for the input of the register values (see Section 6.2. on page 32).

For the individual calibration of each sensor in the customer application, a two point calibration is recommended.

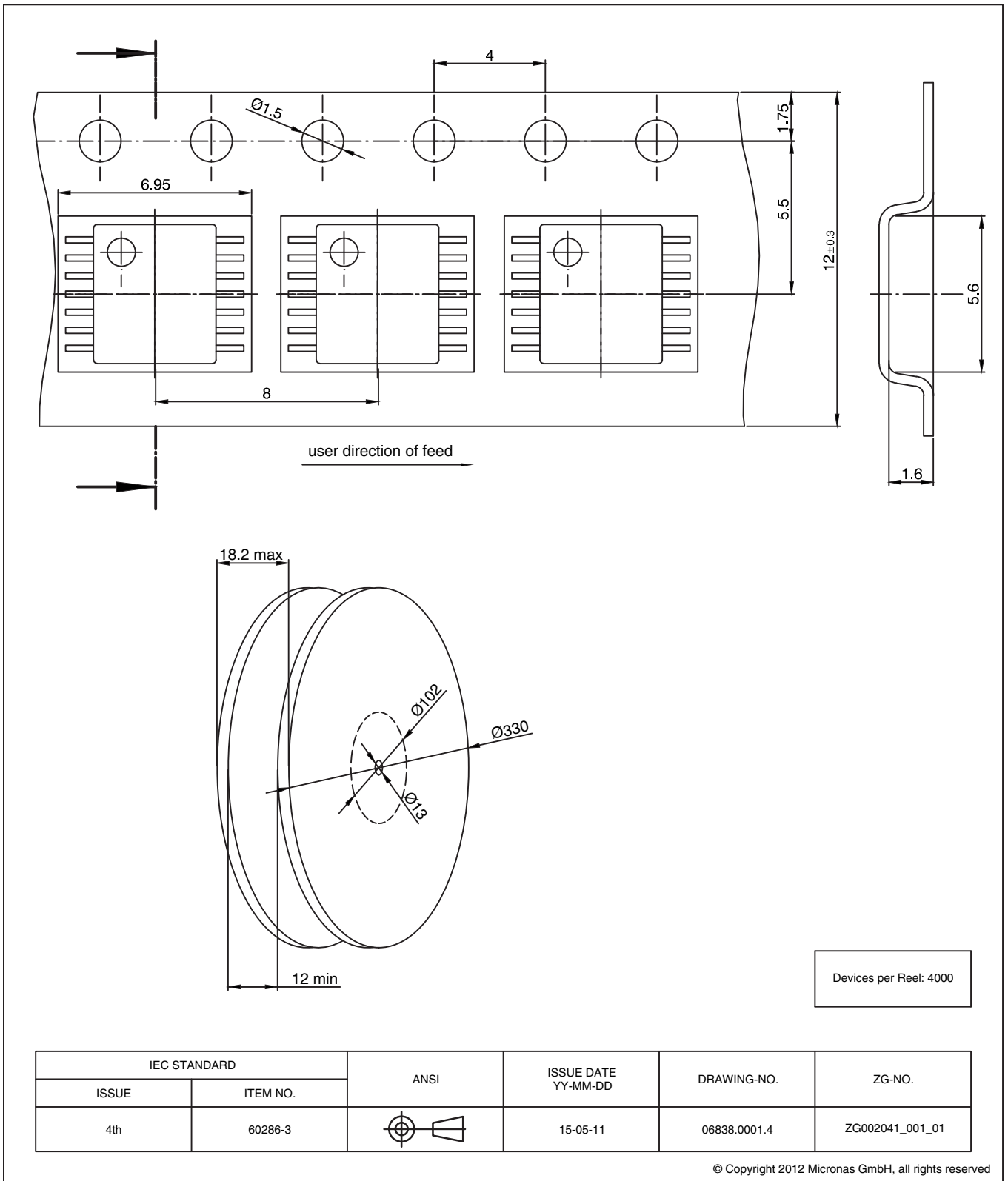
A detailed description of the calibration software example provided by Micronas, calibration algorithm, programming sequences and register value calculation can be found in the Application Note "HAL 24xy Programming Guide".

4. Specifications

4.1. Outline Dimensions



**Fig. 4-1:**  
**TSSOP14-1: Plastic Thin Shrink Small Outline Package; 14 pins; 0.9 mm thickness**  
 Weight approximately 0.055 g



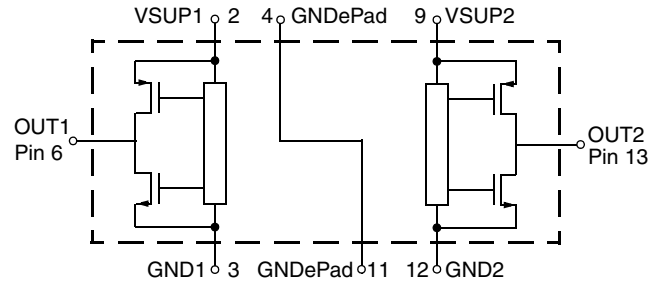
**Fig. 4-2:**  
TSSOP14: Tape and reel finishing

**4.2. Soldering, Welding and Assembly**

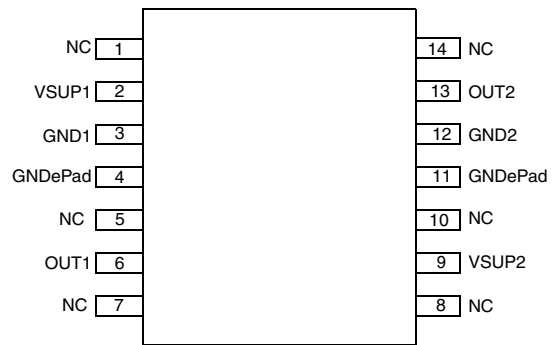
Information related to solderability, welding, assembly, and second-level packaging is included in the document “Guidelines for the Assembly of Micronas Packages”. It is available on the Micronas website (<http://www.micronas.com/en/service-center/downloads>) or on the service portal (<http://service.micronas.com>).

**4.3. Pin Connections and Short Descriptions**

Pin No	Pin Name	Type	Short Description
<b>Die 1</b>			
2	VSUP1	SUPPLY	Supply Voltage die 1
3	GND1	GND	Ground die 1
4	GNDePad	GNDePad	Ground ePad
6	OUT1	I/O	Push-Pull Output (HAR 2425) or PWM Output (HAR 2455) and Programming Pin Die 1
<b>Die 2</b>			
9	VSUP2	SUPPLY	Supply Voltage die 2
11	GNDePad	GNDePad	Ground ePad
12	GND2	GND	Ground die 2
13	OUT2	I/O	Push-Pull Output (HAR 2425) or PWM Output (HAR 2455) and Programming Pin Die 2



**Fig. 4–3: Pin configuration**



**Fig. 4–4: Top/side view of the package.**

**4.4. Dimensions of Sensitive Area**

250 x 250 μm<sup>2</sup>

**4.5. Package Parameter and Position of Sensitive Areas**

	TSSOP14-1
x1 = x2	0 mm nominal
y1 = y2	0.21 mm nominal
z1	0.55 mm nominal
z2	0.33 mm nominal
Bd1	0.3 mm
Bd2	0.3 mm

All not connected (NC) pins must be connected to GND. In case of redundancy requirements Micronas recommends the following grounding:

- GND plane1: Pin 1, 3, 5, 7
- GND plane2: Pin 8, 10, 12, 14
- GND plane3: Pin 4, 11

To avoid a separate GND plane3, please connect either pin 4 or pin 11 to the nearest GND and leave the other pin not connected.

**Note:** To minimize mechanical stress to the dies, the exposed pad should not be soldered!

#### 4.6. Absolute Maximum Ratings

Stresses beyond those listed in the “Absolute Maximum Ratings” may cause permanent damage to the device. This is a stress rating only. Functional operation of the device at these conditions is not implied. Exposure to absolute maximum rating conditions for extended periods will affect device reliability.

This device contains circuitry to protect the inputs and outputs against damage due to high static voltages or electric fields; however, it is advised that normal precautions be taken to avoid application of any voltage higher than absolute maximum-rated voltages to this circuit.

All voltages listed are referenced to ground (GND1=GND2=GND<sub>e</sub>Pad).

Symbol	Parameter	Pin	Min.	Max.	Unit	Condition
V <sub>SUP</sub>	Supply Voltage	VSUPx	-8.5 -18	10 18	V V	t < 96 h <sup>4)</sup> t < 1 h <sup>4)</sup>
V <sub>OUT</sub>	Output Voltage	OUTx	-6 <sup>1)</sup>	18	V	t < 1 h <sup>4)</sup>
V <sub>OUT</sub> - V <sub>SUP</sub>	Excess of Output Voltage over Supply Voltage	OUTx - VSUPx	-	7	V	t < 1 h <sup>4)</sup>
T <sub>J</sub>	Junction Temperature under Bias		-50	190 <sup>2)</sup>	°C	4)
V <sub>die-to-die isolation</sub>	Dielectric Strength between Both Dies	-	-500	500	V	5)6)
V <sub>ESD</sub>	ESD Protection for Single Die	VSUP1 OUT1 GND1 VSUP2 OUT2 GND2	-8	+8	kV	3)

1) Internal protection resistor = 50 Ω

2) For 96h, please contact Micronas for other temperature requirements.

3) AEC-Q-100-002 (100 pF and 1.5 kΩ)

4) No cumulated stress

5) GNDs galvanic isolation not tested

6) Characterized on small sample size

#### 4.7. Storage and Shelf Life

Information related to storage conditions of Micronas sensors is included in the document “Guidelines for the Assembly of Micronas Packages”. It gives recommendations linked to moisture sensitivity level and long-term storage.

It is available on the Micronas website (<http://www.micronas.com/en/service-center/downloads>) or on the service portal (<http://service.micronas.com>).

#### 4.8. Recommended Operating Conditions

Functional operation of the device beyond those indicated in the “Recommended Operating Conditions/Characteristics” is not implied and may result in unpredictable behavior, reduce reliability and lifetime of the device.

All voltages listed are referenced to ground (GND1=GND2=GNDDePad).

Symbol	Parameter	Pin	Min.	Typ.	Max.	Unit	Remarks
V <sub>SUP</sub>	Supply Voltage	VSUPx	4.5 5.7	5 6	5.5 6.5	V	Normal operation During programming
I <sub>OUT</sub>	Continuous Output Current	OUTx	-1.2	-	1.2	mA	
R <sub>L</sub>	Load Resistor	OUTx	5.0	-	-	kΩ	Can be pull-up or pull-down resistor
C <sub>L</sub>	Load Capacitance	OUTx	0.33	47	600	nF	for HAR 2425 (analog output)
			-	0.18	10	nF	for HAR 2455 (PWM)
N <sub>PRG</sub>	Number of Memory Programming Cycles <sup>1)</sup>	-	-	-	100	cycles	0°C < T <sub>amb</sub> < 55°C
T <sub>J</sub>	Junction Temperature <sup>2)</sup>	-	-40 -40 -40	-	125 150 170	°C	8000 h <sup>3)</sup> 2000 h <sup>3)</sup> 1000 h <sup>3)</sup>

<sup>1)</sup> In the EEPROM, it is not allowed to program only one single address within a 'bank' in the memory. In case of programming one single address the complete bank has to be programmed

<sup>2)</sup> Depends on the temperature profile of the application. Please contact Micronas for life time calculations. Time values are not additive

<sup>3)</sup> Time values are not cumulative

## 4.9. Characteristics

at  $T_J = -40\text{ }^\circ\text{C}$  to  $+170\text{ }^\circ\text{C}$ ,  $V_{SUP1}=V_{SUP2} = 4.5\text{ V}$  to  $5.5\text{ V}$ ,  $GND1=GND2=GND\text{ePad} = 0\text{ V}$  after programming and locking, at Recommended Operating Conditions if not otherwise specified in the column "Conditions".

Typical Characteristics for  $T_J = 25\text{ }^\circ\text{C}$  and  $V_{SUP} = 5\text{ V}$ .

Symbol	Parameter	Pin	Min.	Typ.	Max.	Unit	Conditions
$I_{SUP}$	Supply Current over Temperature Range	VSUPx	–	7	10	mA	
	Resolution <sup>5)</sup>	OUTx	–	12	–	bit	HAR 2425: ratiometric to $V_{SUP}$ <sup>1)</sup> HAR 2455: depends on PWM Period
$t_{r(O)}$	HAR 2425: Step Response Time of Output <sup>6)</sup>	OUTx	–	0.5	0.6	ms	$C_L = 10\text{ nF}$ , time from 10% to 90% of final output voltage for a step like signal $B_{step}$ from $0\text{ mT}$ to $B_{max}$
	HAR 2455: Response Time of Output <sup>2)6)</sup>	OUTx	–	1.5 2.5 4.5 8.5	1.8 3 5.4 10.2	ms	$f_{PWM} = 2\text{ kHz}$ $f_{PWM} = 1\text{ kHz}$ $f_{PWM} = 500\text{ Hz}$ $f_{PWM} = 250\text{ Hz}$
DNL	Differential Non-Linearity of D/A Converter <sup>4)</sup>	OUTx	–0.9	0	0.9	LSB	Test limit at $25\text{ }^\circ\text{C}$ ambient temperature
INL	Non-Linearity of Output Voltage over Temperature <sup>6)</sup>	OUTx	–0.3	–	0.3	% $V_{SUP}$	<sup>2)</sup> For $V_{OUT} = 0.35\text{ V} \dots 4.65\text{ V}$ ; $V_{SUP} = 5\text{ V}$ ; Linear Setpoint Characteristics
$E_R$	Ratiometric Error of Output over Temperature (Error in $V_{OUT} / V_{SUP}$ )	OUTx	–0.25		0.25	%	Max of [ $V_{OUT5} - V_{OUT4.5}$ and $V_{OUT5.5} - V_{OUT5}$ ] at $V_{OUT} = 10\%$ and $90\% V_{SUP}$
$V_{offset}$	Offset Drift over Temperature Range <sup>6)</sup> $V_{OUT}(B = 0\text{ mT})_{25^\circ\text{C}} - V_{OUT}(B = 0\text{ mT})_{max}$	OUTx	0	0.1	0.2	% $V_{SUP}$	$V_{SUP} = 5\text{ V}$ ; BARREL SHIFTER = $3 (\pm 50\text{ mT})$
$\Delta V_{OUTCL}$	Accuracy of Output Voltage at Clamping Low Voltage over Temperature Range <sup>5)</sup>	OUTx	–11	–	11	mV	$R_L = 5\text{ k}\Omega$ , $V_{SUP} = 5\text{ V}$ Spec values are derived from resolution of the registers DAC_CMPHI/LO and $V_{offset}$ .
$\Delta V_{OUTCH}$	Accuracy of Output Voltage at Clamping High Voltage over Temperature Range <sup>5)</sup>	OUTx	–11	–	11	mV	
$V_{OUTH}$	Upper Limit of Signal Band <sup>3)</sup>	OUTx	93	–	–	% $V_{SUP}$	$V_{SUP} = 5\text{ V}$ , $-1\text{ mA} \leq I_{OUT} \leq 1\text{ mA}$
$V_{OUTL}$	Lower Limit of Signal Band <sup>3)</sup>	OUTx	–	–	7	% $V_{SUP}$	$V_{SUP} = 5\text{ V}$ , $-1\text{ mA} \leq I_{OUT} \leq 1\text{ mA}$

<sup>1)</sup> Output DAC full scale =  $5\text{ V}$  ratiometric, Output DAC offset =  $0\text{ V}$ , Output DAC LSB =  $V_{SUP}/4096$   
<sup>2)</sup> If more than 50% of the selected magnetic field range is used and the temperature compensation is suitable.  
 $INL = V_{OUT} - V_{OUTLSF}$  with  $V_{OUTLSF}$  = Least Square Fit through measured output voltage  
<sup>3)</sup> Signal Band Area with full accuracy is located between  $V_{OUTL}$  and  $V_{OUTH}$ . The sensor accuracy is reduced below  $V_{OUTL}$  and above  $V_{OUTH}$   
<sup>4)</sup> External package stress or overmolding might change this parameter  
<sup>5)</sup> Guaranteed by Design  
<sup>6)</sup> Characterized on small sample size, not tested



Symbol	Parameter	Pin	Min.	Typ.	Max.	Unit	Conditions
t <sub>POD</sub>	Power-Up Time (Time to Reach Certain Output Accuracy) <sup>6)</sup>	OUTx	–	–	1.7 8.0	ms ms	Additional error of 1% Full-Scale Full accuracy
BW	Small Signal Bandwidth (-3 dB) <sup>6)</sup>	OUTx	–	2	–	kHz	
V <sub>OUTrms</sub>	Output Noise Voltage RMS <sup>6)</sup>	OUT	–	–	4	mV	BARREL SHIFTER=3 Overall gain in signal path =1 External circuitry according to Fig. 5-1 on page 30 with low-noise supply
f <sub>PWM</sub>	PWM Frequency (HAR 2455 only) <sup>2)6)</sup>	OUT	1.7 0.85 0.425 0.213	2 1 0.5 0.25	2.3 1.15 0.575 0.288	kHz	Customer programmable
J <sub>PWM</sub>	RMS PWM Jitter (HAR 2455 only) <sup>2)6)</sup>	OUT	–	1	2	LSB <sub>12</sub>	f <sub>PWM</sub> = 1 kHz
R <sub>OUT</sub>	Output Resistance over Recommended Operating Range	OUTx	–	1	10	Ω	V <sub>OUTLmax</sub> ≤ V <sub>OUT</sub> ≤ V <sub>OUTHmin</sub>

**TSSOP14-1 Package**

R <sub>thja</sub>	Thermal resistance Junction to Ambient	–	–	–	146	K/W	measured on 2s2p board
R <sub>thja</sub>	Junction to Ambient				187	K/W	measured on 1s0p board
R <sub>thjc</sub>	Junction to Case				47	K/W	measured on 2s2p board
R <sub>thjc</sub>	Junction to Case				49	K/W	measured on 1s0p board

- 1) Output DAC full scale = 5 V ratiometric, Output DAC offset = 0 V, Output DAC LSB = V<sub>SUP</sub>/4096
- 2) If more than 50% of the selected magnetic field range is used and the temperature compensation is suitable.  
INL = V<sub>OUT</sub> - V<sub>OUTLSF</sub> with V<sub>OUTLSF</sub> = Least Square Fit through measured output voltage
- 3) Signal Band Area with full accuracy is located between V<sub>OUTL</sub> and V<sub>OUTH</sub>. The sensor accuracy is reduced below V<sub>OUTL</sub> and above V<sub>OUTH</sub>
- 4) External package stress or overmolding might change this parameter
- 5) Guaranteed by Design
- 6) Characterized on small sample size, not tested

#### 4.10. Open-Circuit Detection

at  $T_J = -40\text{ °C}$  to  $+170\text{ °C}$ , Typical Characteristics for  $T_J = 25\text{ °C}$

Symbol	Parameter	Pin	Min.	Typ.	Max.	Unit	Comment
$V_{OUT}$	Output Voltage at Open VSUP Line	OUTx	0	0	0.15	V	$V_{SUP} = 5\text{ V}$ $R_L = 10\text{ k}\Omega$ to $200\text{ k}\Omega$
			0	0	0.2	V	$V_{SUP} = 5\text{ V}$ $R_L = 5\text{ k}\Omega$ to $10\text{ k}\Omega$
$V_{OUT}$	Output Voltage at Open GND Line	OUTx	4.85	4.9	5.0	V	$V_{SUP} = 5\text{ V}$ $R_L = 10\text{ k}\Omega$ to $200\text{ k}\Omega$
			4.8	4.9	5.0	V	$V_{SUP} = 5\text{ V}$ $R_L = 5\text{ k}\Omega$ to $10\text{ k}\Omega$

$R_L$ : Can be pull-up or pull-down resistor

#### 4.11. Overvoltage and Undervoltage Detection

at  $T_J = -40\text{ °C}$  to  $+170\text{ °C}$ ,  $GND1=GND2=GND_{epad}=0V$ , Typical Characteristics for  $T_J = 25\text{ °C}$ , after programming and locking

Symbol	Parameter	Pin	Min.	Typ.	Max.	Unit	Test Conditions
$V_{SUP,UV}$	Undervoltage Detection Level	VSUPx	3.3	3.9	4.3	V	
$V_{SUP,UVhyst}$	Undervoltage Detection Level Hysteresis <sup>1)</sup>	VSUPx	–	200	–	mV	
$V_{SUP,OV}$	Overvoltage Detection Level	VSUPx	5.6	6.2	6.9	V	
$V_{SUP,OVhyst}$	Overvoltage Detection Level Hysteresis <sup>1)</sup>	VSUPx	–	225	–	mV	

<sup>1)</sup> Characterized on small sample size, not tested

**4.12. Output Short Detection Parameter**

at  $T_J = -40\text{ }^{\circ}\text{C}$  to  $+170\text{ }^{\circ}\text{C}$ , Typical Characteristics for  $T_J = 25\text{ }^{\circ}\text{C}$ , after programming and locking

Symbol	Parameter	Pin	Min.	Typ.	Max.	Unit	Test Conditions
$t_{\text{OCD}}$	Over Current Detection Time <sup>1)</sup>	OUTx	–	128	–	$\mu\text{s}$	
$t_{\text{Timeout}}$	Time Period without Over Current Detection <sup>1)</sup>	OUTx	–	256	–	ms	
$I_{\text{OVC}}$	Detectable Output Short Current <sup>1)</sup>	OUTx	–	10	–	mA	

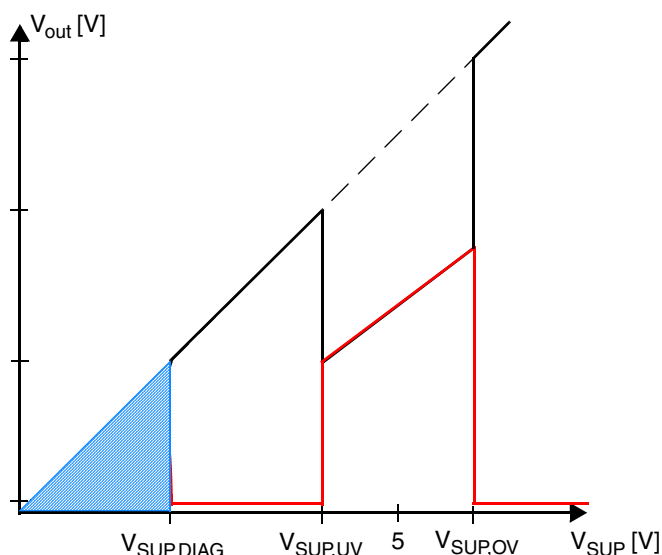
<sup>1)</sup> Characterized on small sample size, not tested

**4.13. Output Voltage in Case of Error Detection**

at  $T_J = -40\text{ }^{\circ}\text{C}$  to  $+170\text{ }^{\circ}\text{C}$ , Typical Characteristics for  $T_J = 25\text{ }^{\circ}\text{C}$ , after programming and locking

Symbol	Parameter	Pin	Min.	Typ.	Max.	Unit	Test Conditions
$V_{\text{SUP,DIAG}}$	Supply Voltage required to get defined Output Voltage Level <sup>1)</sup>	VSUPx	–	2.1	–	V	
$V_{\text{Error,Low}}$	Output Voltage Range of Lower Error Band <sup>1)</sup>	OUTx	0	–	4	$\%V_{\text{SUP}}$	$V_{\text{SUP}} > V_{\text{SUP,DIAG}}$ $5\text{ k}\Omega \geq R_L \leq 200\text{ k}\Omega$
$V_{\text{Error,High}}$	Output Voltage Range of Upper Error Band <sup>1)</sup>	OUTx	96	–	100	$\%V_{\text{SUP}}$	$V_{\text{SUP}} > V_{\text{SUP,DIAG}}$ $5\text{ k}\Omega \geq R_L \leq 200\text{ k}\Omega$

<sup>1)</sup> Characterized on small sample size, not tested



- ▬: Output Voltage will be between VSUP and GND
- : CUST\_SETUP Register Bit no. 7 set to 1 →  $V_{\text{OUT}} \leq 4\% V_{\text{SUP}}$
- : CUST\_SETUP Register Bit no. 7 set to 0 →  $V_{\text{OUT}} \geq 96\% V_{\text{SUP}}$

**Fig. 4-5:** Behavior of HAR 2425 for different  $V_{\text{SUP}}$

#### 4.14. Magnetic Characteristics

at  $T_J = -40\text{ °C}$  to  $+170\text{ °C}$ ,  $V_{SUP1}=V_{SUP2} = 4.5\text{ V}$  to  $5.5\text{ V}$ ,  $GND1=GND2=GND_{ePad} = 0\text{ V}$  after programming and locking, at Recommended Operation Conditions if not otherwise specified in the column "Conditions".

Typical Characteristics for  $T_J = 25\text{ °C}$  and  $V_{SUPx} = 5\text{ V}$ .

Symbol	Parameter	Pin	Min.	Typ.	Max.	Unit	Test Conditions
SENS	Magnetic Sensitivity <sup>1)</sup>	–	–	–	170	mV/ mT	Programmable $V_{SUP} = 5\text{ V}$ and $T_J = 25\text{ °C}$ ; BARREL SHIFTER = $\pm 12\text{ mT}$ $\Delta V_{out} = 4\text{ V}$
RANGE <sub>ABS</sub>	Absolute Range of CFX Register (Magnetic Range) <sup>1)</sup>	–	100	200	235	%	See Section 3.2. on page 9 for CFX register definition.
B <sub>Offset</sub>	Magnetic Offset <sup>1)</sup>	OUTx	–0.4	0	0.4	mT	B = 0 mT, I <sub>OUT</sub> = 0 mA, T <sub>J</sub> = 25 °C, unadjusted sensor
$\Delta B_{Offset}/\Delta T$	Magnetic Offset Change due to T <sub>J</sub> <sup>1)</sup>	OUTx	–5	0	5	μT/K	B = 0 mT, I <sub>OUT</sub> = 0 mA BARREL SHIFTER = 3 (±50 mT)
ES	Error in Magnetic Sensitivity <sup>2)</sup>	OUTx	–	1%	2.5	%	$V_{SUP} = 5\text{ V}$ BARREL SHIFTER = 3 (±50 mT)

<sup>1)</sup> Characterized on small sample size, not tested.

<sup>2)</sup> ES over the complete temperature range is tested on sample basis.

**4.14.1. Definition of Sensitivity Error ES**

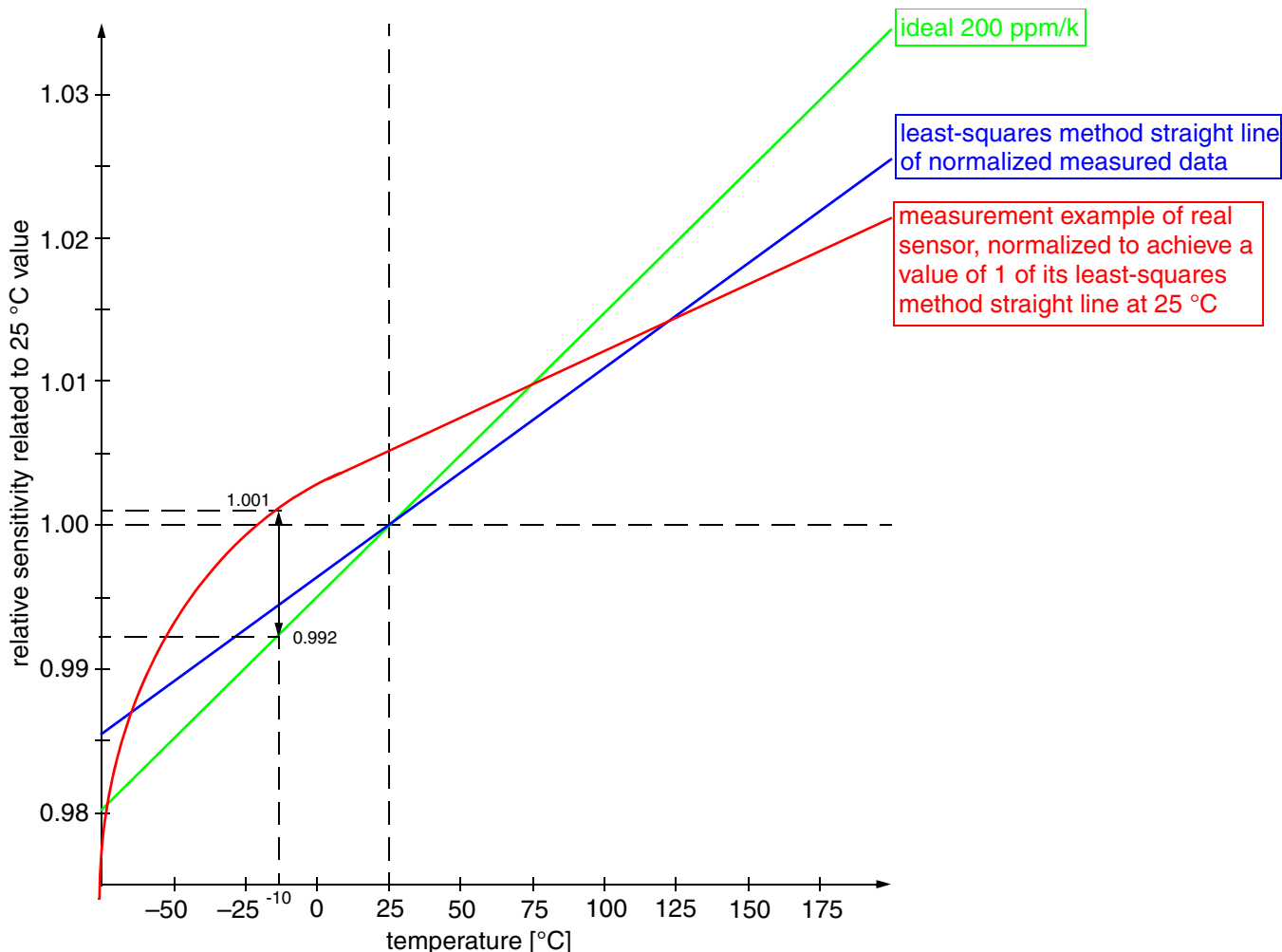
ES is the maximum of the absolute value of the quotient of the normalized measured value<sup>1)</sup> over the normalized ideal linear<sup>2)</sup> value minus 1:

$$ES = \max\left(\text{abs}\left(\frac{\text{meas}}{\text{ideal}} - 1\right)\right) \Big|_{[T_{\min}, T_{\max}]}$$

In the below example, the maximum error occurs at -10 °C:

$$ES = \frac{1.001}{0.993} - 1 = 0.8\%$$

- 1) normalized to achieve a least-squares method straight line that has a value of 1 at 25 °C
- 2) normalized to achieve a value of 1 at 25 °C



**Fig. 4-6:** ES definition example

5. Application Notes

5.1. Application Circuit

For EMC protection, it is recommended to connect one ceramic capacitor, e.g. 47 nF, between ground and the supply voltage, respectively the output voltage pin.

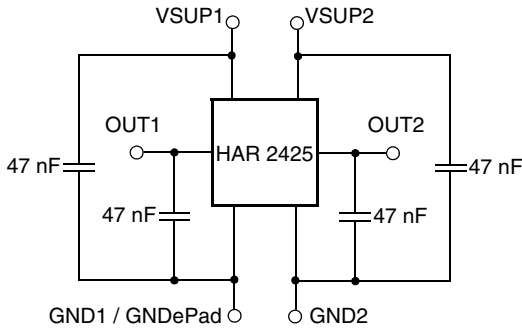


Fig. 5-1: Recommended application circuit (analog output)

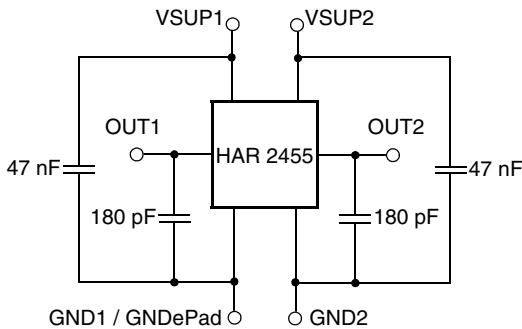


Fig. 5-2: Recommended application circuit (PWM output)

If the two dies are operated in parallel to the same supply and ground line, they can be programmed individually as the communication with the sensors is done via their output pins.

5.2. Measurement of a PWM Output Signal of HAR 2455

In case of the PWM output, the magnetic field information is coded in the duty cycle of the PWM signal. The duty cycle is defined as the ratio between the high time “s” and the period “d” of the PWM signal (see Fig. 5-3).

**Note:** The PWM signal is updated with the rising edge. Hence, for signal evaluation, the trigger-level must be the rising edge of the PWM signal.

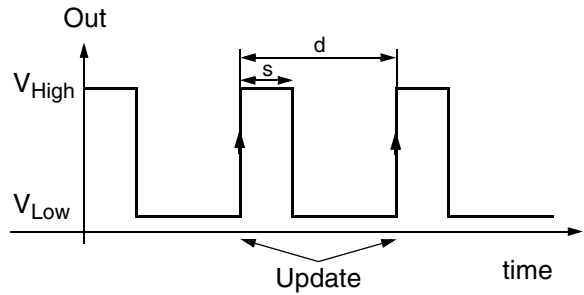


Fig. 5-3: Definition of PWM signal

5.3. Ambient Temperature

Due to the internal power dissipation, the temperature on the silicon chip (junction temperature  $T_J$ ) is higher than the temperature outside the package (ambient temperature  $T_A$ ).

$$T_J = T_A + \Delta T$$

The maximum ambient temperature is a function of power dissipation, maximum allowable die temperature, and junction-to-ambient thermal resistance ( $R_{thja}$ ). With a maximum of 5.5V operating supply voltage the power dissipation  $P$  is 0.097 W per die, for a total of 0.194 W. The junction to ambient thermal resistance  $R_{thja}$  is specified in Section 4.9. on page 24

The difference between junction and ambient air temperature is expressed by the following equation:

$$\Delta T = P \times R_{thja} = 16.5^\circ C$$

5.4. Pad Size Layout

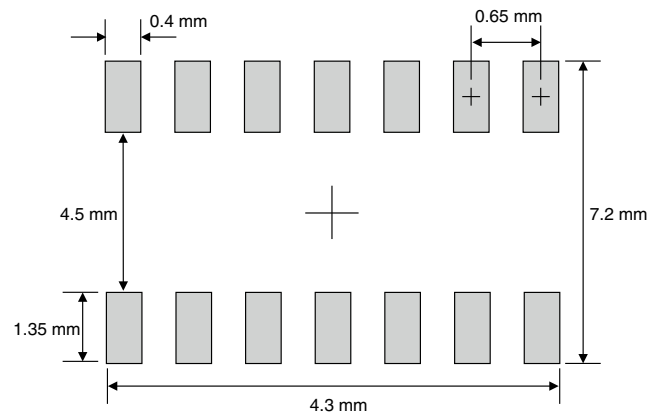


Fig. 5-4: Recommended pad size dimensions in mm

**6. Programming of the Sensor**

HAR 24xy features two different customer modes. In **Application Mode** the sensor provides an output signal. In **Programming Mode** it is possible to change the register settings of the sensor.

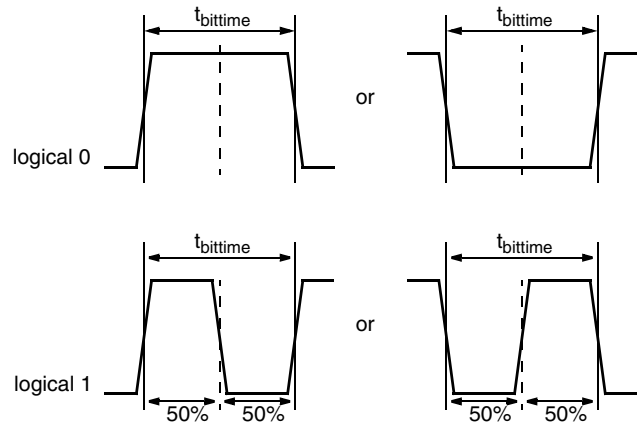
After power-up the sensor is always operating in the **Application Mode**. It is switched to the **Programming Mode** by a pulse on the sensor output pin.

**6.1. Programming Interface**

In Programming Mode the sensor is addressed by modulating a serial telegram on the sensors output pin. The sensor answers with a modulation of the output voltage.

A logical “0” is coded as no level change within the bit time. A logical “1” is coded as a level change of typically 50% of the bit time. After each bit, a level change occurs (see Fig. 6–1).

The serial telegram is used to transmit the EEPROM content, error codes and digital values of the angle information from and to the sensor.



**Fig. 6–1:** Definition of logical 0 and 1 bit

A description of the communication protocol and the programming of the sensor is available in a separate document (Application: HAR 2425 Programming Guide).

**Table 6–1:** Telegram parameters (All voltages are referenced to GND1=GND2=GND<sub>ePad</sub> = 0 V)

Symbol	Parameter	Pin	Limit Values			Unit	Test Conditions
			Min.	Typ.	Max.		
V <sub>OUTL</sub>	Voltage for Output Low Level during Programming through Sensor Output Pin	OUTx	0	–	0.2*V <sub>SUP</sub>	V	for V <sub>SUP</sub> = 5 V
			0		1	V	
V <sub>OUTH</sub>	Voltage for Output High Level during Programming through Sensor Output Pin	OUTx	0.8*V <sub>SUP</sub>	–	V <sub>SUP</sub>	V	for V <sub>SUP</sub> = 5 V
			4	–	5.0	V	
V <sub>SUPProgram</sub>	V <sub>SUP</sub> Voltage for EEPROM programming (after PROG and ERASE)	VSUPx	5.7	6.0	6.5	V	Supply voltage for bidirectional communication via output pin.
t <sub>bittime</sub>	Biphase Bit Time	OUTx	900	1000	1100	µs	
	Slew rate	OUTx	–	2	–	V/µs	

---

## 6.2. Programming Environment and Tools

For the programming of HAR 24xy it is possible to use the Micronas tool kit (HAL-APB V1.x & LabView Programming Environment) or the USB kit in order to ease the product development. The details of programming sequences are also available on request.

## 6.3. Programming Information

For reliability in service, it is mandatory to set the LOCK bit to one and the POUT bit to zero after final adjustment and programming of HAR 2425.

The success of the LOCK process must be checked by reading the status of the LOCK bit after locking and by a negative communication test after a power on reset.

It is also mandatory to check the acknowledge (first and second) of the sensor or to read/check the status of the PROG\_DIAGNOSIS register after each write and store sequence to verify if the programming of the sensor was successful. Please check HAR 24xy Programming Guide for further details.

Electrostatic Discharges (ESD) may disturb the programming pulses. Please take precautions against ESD.

---

**Note:** Please check also the "HAL 24xy Programming Guide". It contains additional information and instructions about the programming of the devices.

---



---

## 7. Data Sheet History

1. Advance Information: "HAR 24xy High-Precision Dual-Die Programmable Linear Hall-Effect Sensor Family", May 23, 2015, AI000179\_001EN. First release of the advance information.
2. Data Sheet: "HAR 24xy High-Precision Dual-Die Programmable Linear Hall-Effect Sensor Family", July 14, 2015, DSH000170\_001EN. First release of the data sheet.

### Major changes:

- Absolute Maximum Ratings on page 22:  
Value  $V_{\text{die-to-die isolation}}$
- Recommended Operating Conditions on page 23:  
junction temperature conditions specified
- Application Circuit on page 30
- Recommended pad size dimensions in mm on page 30
- TSSOP14 tape and reel finishing added