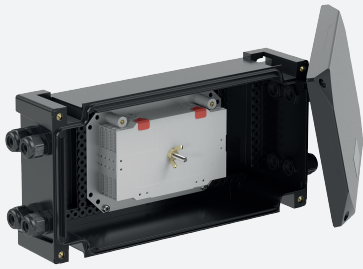


FO Splice Boxes in Glass Fiber Reinforced Polyester

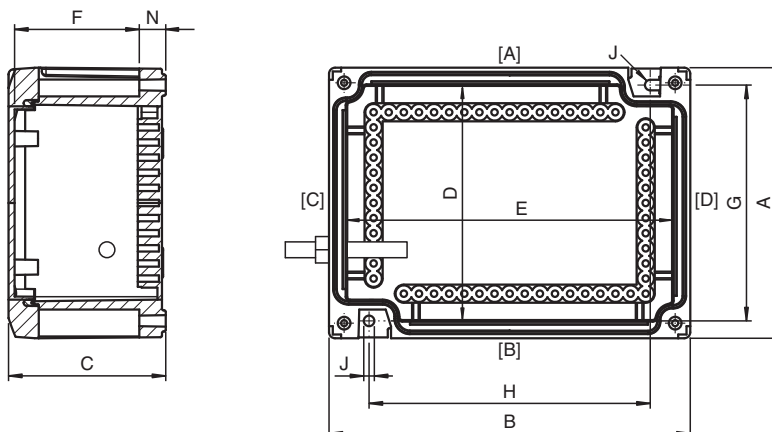
GR.TFO.18.36.10.B-S0006



- Safe protection of fiber optic cable splices in hazardous areas
- Installation in Zone 1, Zone 2, Zone 21 and Zone 22
- Ex op pr and Ex tb certified
- Carbon loaded, antistatic glass fiber reinforced polyester
- 179 mm x 359 mm x 104 mm
- Modern design with high impact resistance
- Easy installation due to easily accessible mounting points
- Easy cover opening without damage due to multiple pry points
- Left side cable gland polyamide, 6x M20; right side cable gland polyamide, 6x M20



Dimensions



Dimension values see data table.

Image and drawing are generic for this device type and may deviate from the specific variant.

| Legend | |
|-------------|--|
| A | Height |
| B | Width |
| C | Depth |
| D | Internal height |
| E | Internal width |
| F | Internal depth |
| G | Mounting holes distance, vertical |
| G1 | Mounting holes distance to middle hole 1, vertical (not with all variants) |
| G2 | Mounting holes distance to middle hole 2, vertical (not with all variants) |
| H | Mounting holes distance, horizontal |
| H1 | Mounting holes distance to middle hole 1, horizontal (not with all variants) |
| H2 | Mounting holes distance to middle hole 2, horizontal (not with all variants) |
| J | Mounting holes diameter |
| N | Thickness of mounting brackets |
| [A] ... [D] | Cable entry faces |

Technical Data

Mechanical specifications

| | |
|-----------------------------|--|
| Enclosure cover | fully detachable |
| Cover fixing | |
| Screws | M6 stainless steel combination Phillips and slotted screw |
| Number | 4 |
| Tightening torque | 3.5 Nm |
| Cover seal | foamed silicone |
| Degree of protection | IP66 |
| Cable entry | thru-holes |
| Cable entry face C | |
| M20 quantity | 6 |
| M20 series | Cable Glands, Plastic |
| M20 type | CG.PEDS1.M20.* |
| M20 clamping range | 6 ... 12 mm |
| Cable entry face D | |
| M20 quantity | 6 |
| M20 series | Cable Glands, Plastic |
| M20 type | CG.PEDS1.M20.* |
| M20 clamping range | 6 ... 12 mm |
| Material | |
| Enclosure | carbon loaded, antistatic glass fiber reinforced polyester (GRP) |
| Finish | inherent color black |
| Grounding plate | 2 mm brass optional |
| Mass | approx. 2.8 kg |
| Dimensions | |
| External dimension (A) | 179 mm |
| External dimension (B) | 359 mm |
| External dimension (C) | 104 mm |
| Internal dimension (D) | 156 mm |
| Internal dimension (E) | 336 mm |
| Internal dimension (F) | 71.5 mm |
| Mounting holes distance (G) | 156 mm |

Release date: 2021-12-16 Date of issue: 2021-12-16 Filename: 320199_eng.pdf

Refer to "General Notes Relating to Pepperl+Fuchs Product Information".

Pepperl+Fuchs Group
www.pepperl-fuchs.com

USA: +1 330 486 0002
pa-info@us.pepperl-fuchs.com

Germany: +49 621 776 2222
pa-info@de.pepperl-fuchs.com

Singapore: +65 6779 9091
pa-info@sg.pepperl-fuchs.com

 PEPPERL+FUCHS

Technical Data

| | |
|--|--|
| Mounting holes distance (H) | 306 mm |
| Mounting holes diameter (J) | 7 mm |
| Thickness of mounting brackets (N) | 18 mm |
| Mounting | 4 screws |
| Grounding | none as standard optional M6 or M8 internal/external brass nickel-plated grounding bolt optional M6 or M8 internal/external stainless steel grounding bolt |
| Fiber optic splice tray | |
| Number | 6 |
| Dimensions | 155 mm x 92 mm x 8 mm |
| Quantity of splice connections per tray | 12 |
| Type of splices | fusion with 60 mm heatshrink protectors |
| Fiber optic splicing protection holders per tray | 2 for heatshrink splice protectors 60 mm, 6 splices each |
| Fiber optic strain relief per tray | 2 for 12 fibers each with 0.9 mm and 1.1 mm coating |
| Fiber optic cables min. bending radius | 35 mm |
| Fiber optic cables frequency range | 10 ... 10000 MHz |
| Standards | DIN 47662 and Telecom standards |
| Ambient conditions | |
| Ambient temperature | -40 ... 65 °C (-40 ... 149 °F) |
| Data for application in connection with hazardous areas | |
| EU-type examination certificate | CML 17 ATEX 3255X BASEEFA 14 ATEX 0368U |
| Marking | ⊕ II 2 GD Ex op pr IIC T* Gb Ex tb IIIC T** °C Db T6/T80 °C @ Ta +40 °C T5/T95 °C @ Ta +55 °C T4/T130 °C @ Ta +65 °C |
| International approvals | |
| IECEx approval | IECEx CML 17.0144X IECEx BAS 14.0169U |
| CCoE approval | PESO A/P/HQ/KA/104/5627 (P432459) |
| IA approval | MASC S/18-1639X |
| Conformity | |
| Degree of protection | EN 60529 |
| CE marking | 0102 |
| General information | |
| Supplementary information | EC-Type Examination Certificate, Statement of Conformity, Declaration of Conformity, Attestation of Conformity and instructions have to be observed where applicable. For information see www.pepperl-fuchs.com . |
| Accessories | |
| Optional accessories | M6 or M8 internal/external brass nickel-plated grounding bolts M6 or M8 internal/external stainless steel grounding bolts |

Release date: 2021-12-16 Date of issue: 2021-12-16 Filename: 320199_eng.pdf

Refer to "General Notes Relating to Pepperl+Fuchs Product Information".

Pepperl+Fuchs Group
www.pepperl-fuchs.comUSA: +1 330 486 0002
pa-info@us.pepperl-fuchs.comGermany: +49 621 776 2222
pa-info@de.pepperl-fuchs.comSingapore: +65 6779 9091
pa-info@sg.pepperl-fuchs.com

PEPPERL+FUCHS