

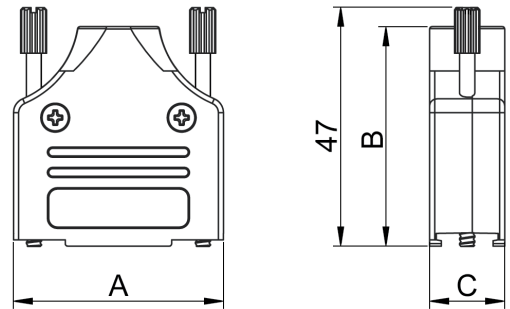
**TECHNICAL SPECIFICATIONS**

**D-Sub Hood:**

Material: Zinc, Nickel Plated  
 Operating Temperature: -40°C to +120°C  
 Cable Entry: Top Entry  
 Thumbscrews: UNC 4-40 (Standard)  
 Cable O.D: Up to 13mm

**Female D-Sub Solder Cup:**

Insulator: PBT, Black, UL94 V-0  
 Shell: Steel, Tin Plated  
 Contact pins: Copper Alloy  
 Stamped & Formed Pins: Class 3, 100 inserts min.  
 Machined Contact Pins: Class 1, 500 inserts min.  
 Contact Plating: Selective Gold over Nickel  
 Operating Temperature: -55°C to +105°C  
 Withstanding voltage: 1000V for 1 minute  
 Insulator resistance: 1000MΩ min  
 Insulator resistance: 1000MΩ min



**Features:**

- Available in sizes 9-15-25-37
- 360° EMI Shielding
- Quick assembly
- Supports all types of cables
- Suitable for any common D-Sub connector

Size MHDM	Dim A	Dim B	Dim C
9-way	32,2	41,3	15,4
15-way	40,6	43,3	15,4
25-way	54,5	49,5	15,4
37-way	70,7	54,3	15,4

**Ordering information - Black Insulator:**

Size:	P/N - Kitted:	Class 3 - 100 inserts min.
9-way	6355-0005-11	MHDM-09-DBS-K
15-way	6355-0005-12	MHDM-15-DBS-K
25-way	6355-0005-13	MHDM-25-DBS-K
37-way	6355-0005-14	MHDM-37-DBS-K

Size:	P/N - Kitted:	Class 1 - 500 inserts min.
9-way	6355-0006-11	MHDM-09-DMS-K
15-way	6355-0006-12	MHDM-15-DMS-K
25-way	6355-0006-13	MHDM-25-DMS-K
37-way	6355-0006-14	MHDM-37-DMS-K

**Ordering information - White Insulator:**

Size:	P/N - Kitted:	Class 3 - 100 inserts min.
9-way	6355-8005-11	MHDM-09-DBS-W-K
15-way	6355-8005-12	MHDM-15-DBS-W-K
25-way	6355-8005-13	MHDM-25-DBS-W-K
37-way	6355-8005-14	MHDM-37-DBS-W-K

Size:	P/N - Kitted:	Class 1 - 500 inserts min.
9-way	6355-8006-11	MHDM-09-DMS-W-K
15-way	6355-8006-12	MHDM-15-DMS-W-K
25-way	6355-8006-13	MHDM-25-DMS-W-K
37-way	6355-8006-14	MHDM-37-DMS-W-K

