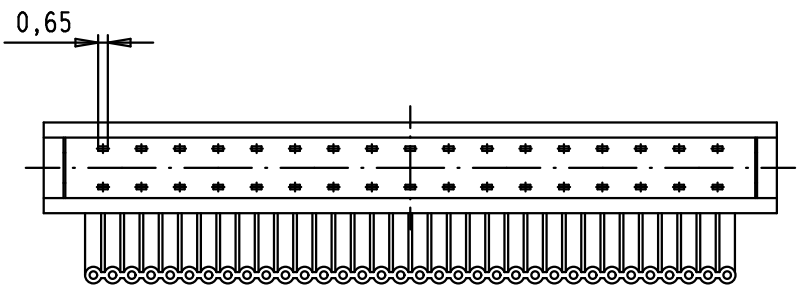
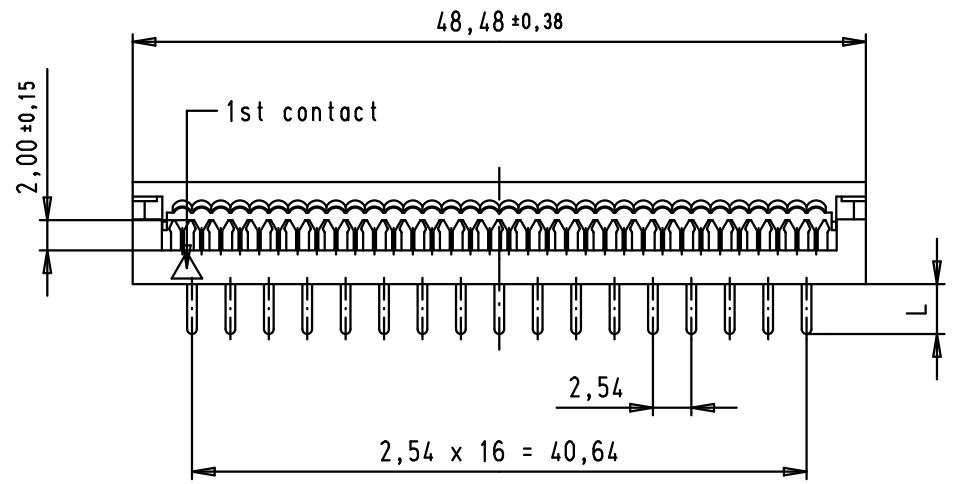
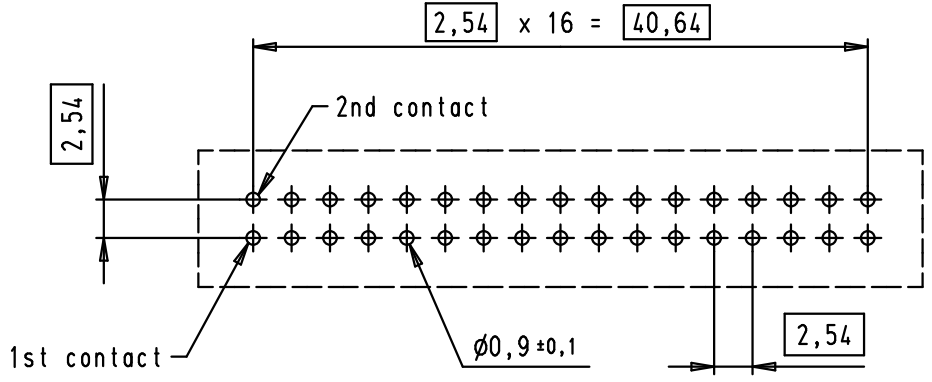


5 4 3 2 1

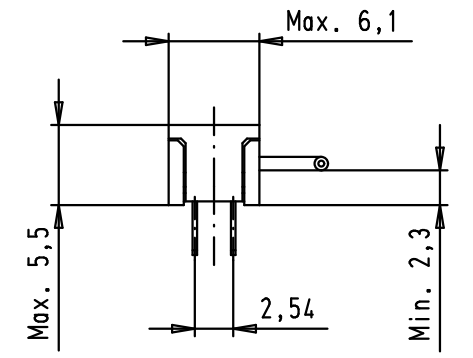
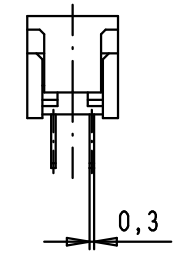


PCB layout, component side



PRE-ASSEMBLED

ASSEMBLED

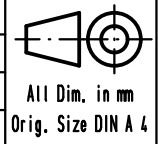


A

09 18 134 9622.210	3,0 ⁰ _{-0,25}	PRE-ASSEMBLED
09 18 134 9622.200	3,3 ^{±0,25}	NON ASSEMBLED
09 18 134 9622	3,3 ^{±0,25}	PRE-ASSEMBLED
Part number	L	COVER

Mod.	Dat.	Name	
34919	30/05/08	PK	
34889	08/04/08	PK	
31884	02/04/04	JH	

	Dat.	Name
Detail.	02/04/04	JH
Insp.		
Stand.		
HARTING EURL F-95972 Paris		



SEK 18, low profile, PCB transition, 34 poles, 2 rows
TB 09 18 134 9622
Sub.

Maßstab/ Scale
2:1
Blatt/ Page
1 / 1