

Plastic enclosure

50 x 50.4 x 27 mm light grey ABS IP 00



Tightly fit self-locking lids or lids with guides

Outer clamping for mounting

Suitable cable diameter is 3-6mm for cable outlet

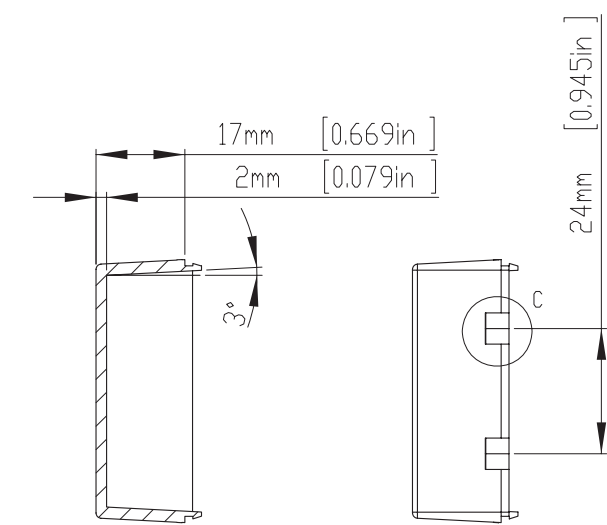
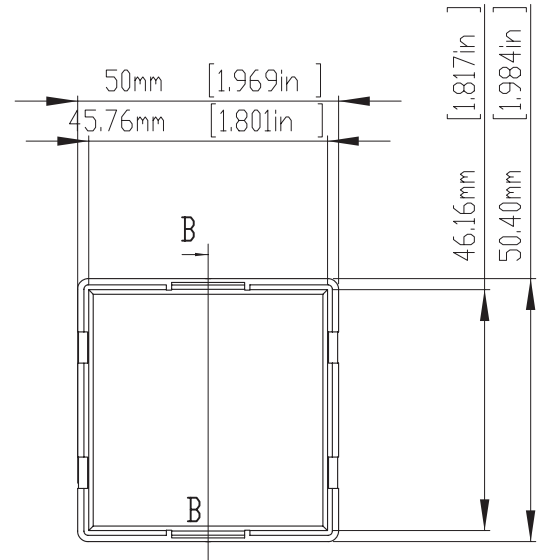
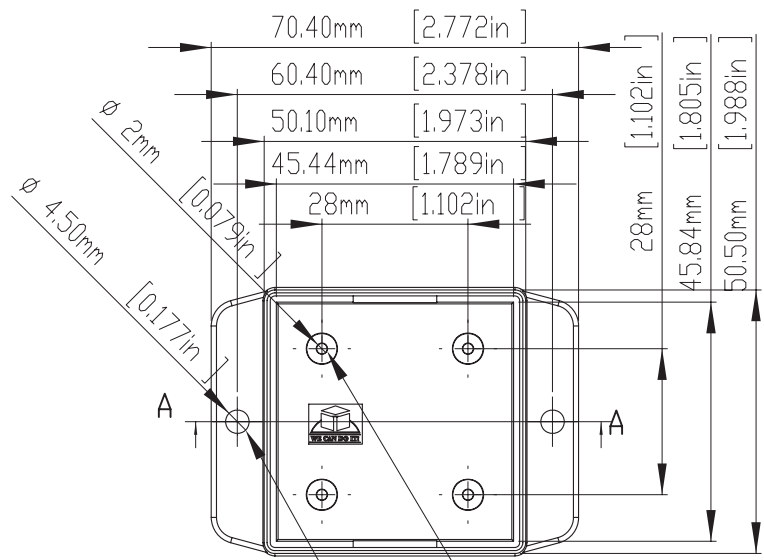
SPECIFICATION:

Dimensions L x W x H	50 x 50.4 x 27 mm
Colour	light grey
Material	ABS
Protection rating	IP 00
Fire class	UL 94 HB
Mounting	Flange
Temperature range	max. +70 °C



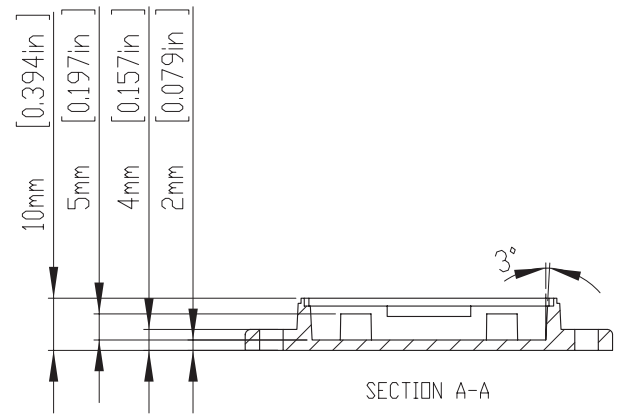
Art. Nr.

RND 455-00317

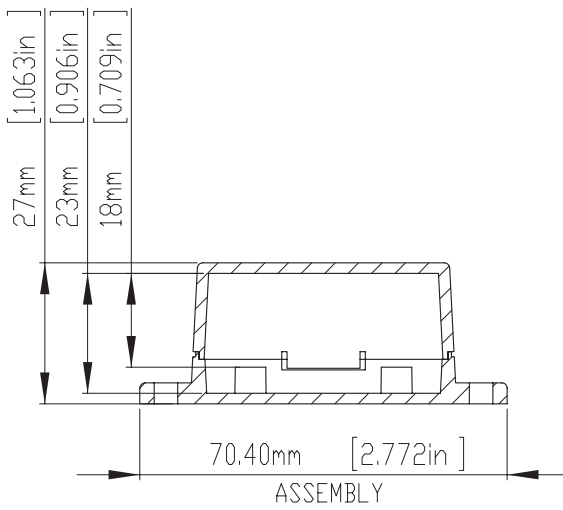


SECTION B-B

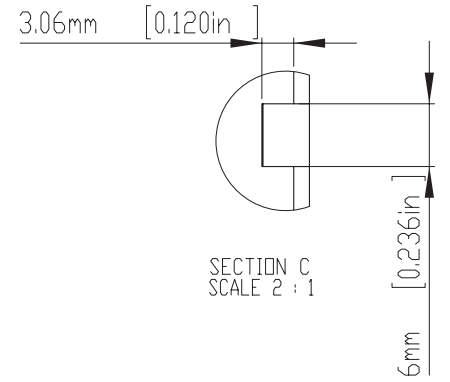
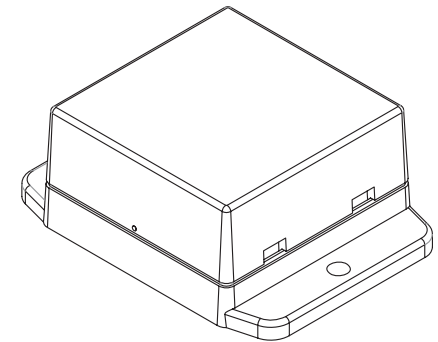
HOLES(4) ARE DESIGNED FOR M2.6X6mm SELF-TAPPING SCREWS USE.
 WALL MOUNTING HOLES(2) X DIA.4.5mm FOR PAN HEAD(M4) TAPPING SCREWS USE.



SECTION A-A



ASSEMBLY



SECTION C
SCALE 2 : 1

According to ISO 2768-m	
Measuring DIM=L	Tolerances
0.5<L≤3.0mm	±0.1mm
3.0<L≤6.0 mm	±0.1mm
6.0<L≤30.0 mm	±0.2mm
30.0<L≤120.0 mm	±0.3mm
120.0<L≤400.0 mm	±0.5mm
400.0<L≤1000.0 mm	±0.8mm