

# HOMECLICK METAL

160 x 100 x 30 cm\* (63.0"x39.4"x11.8")

**KIT PLUS 4/300**  
*Color*

**5** Años Garantía  
Years Guarantee  
Jahre Garantie  
Ans Garantie  
Anos de Garantia  
**SIMONRACK**



**600 kg**  
(1400 lb)  
**Total**



160 cm (63.0")

30 cm (11.8")

100 cm (39.4")



\*MEDIDAS EN USO: 1604 x 1004 x 304 mm  
USED MEASUREMENTS: 63.15" x 39.53" x 11.97"



ESTANTERIAS SIMON S.L. B.50.556.463  
PG. ALFAMEN C/ POLIGONO C, Nº3  
ALFAMEN (ZARAGOZA)

**Simon**  
**Rack**  
SINCE 1964 - MANUFACTURER

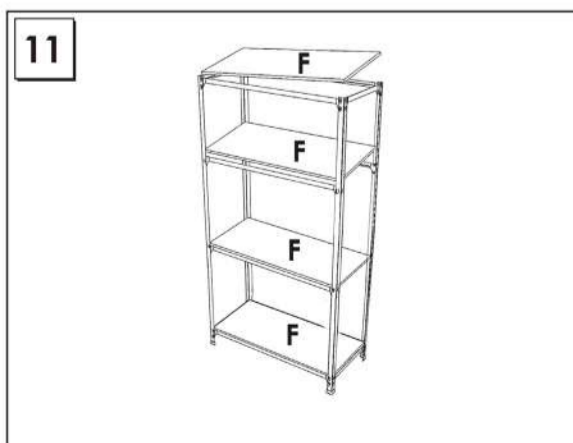
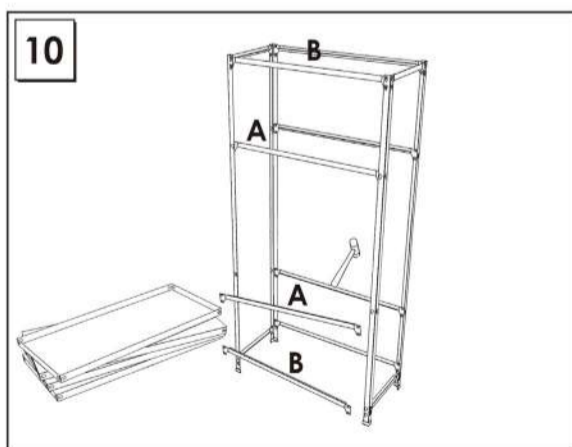
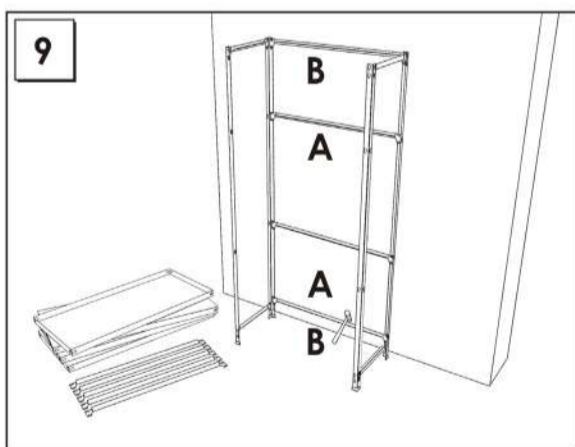
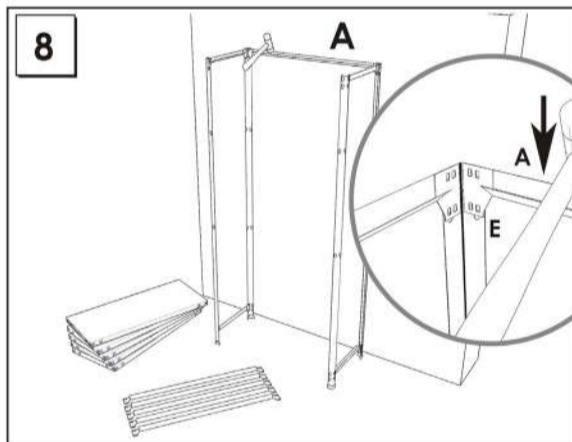
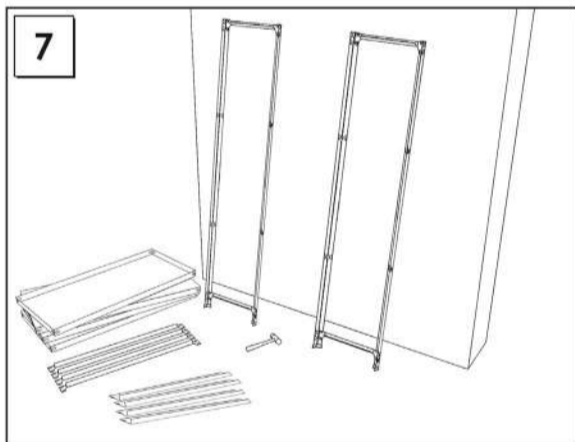
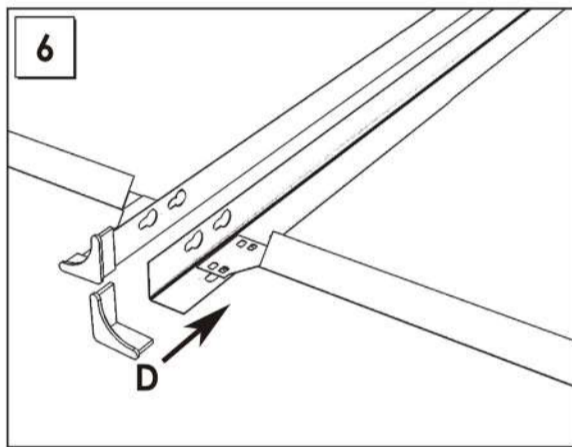
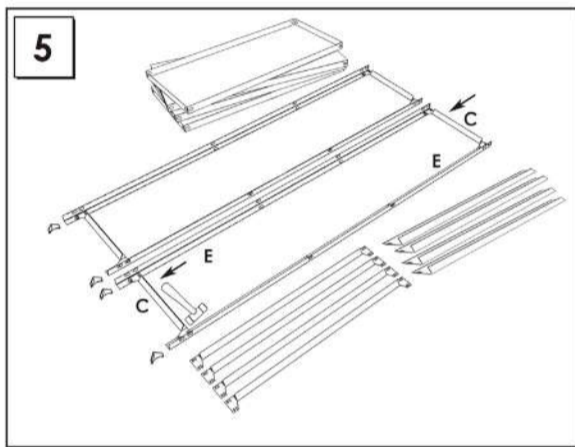
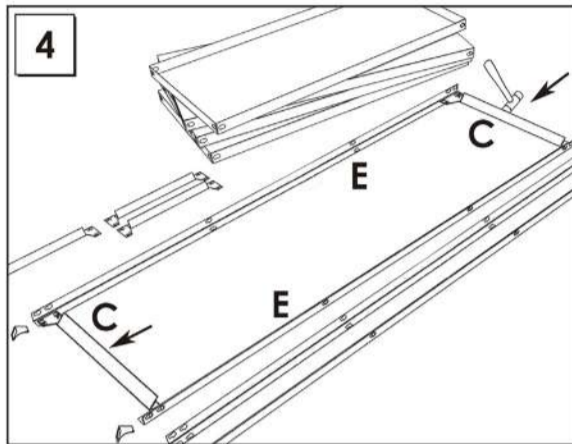
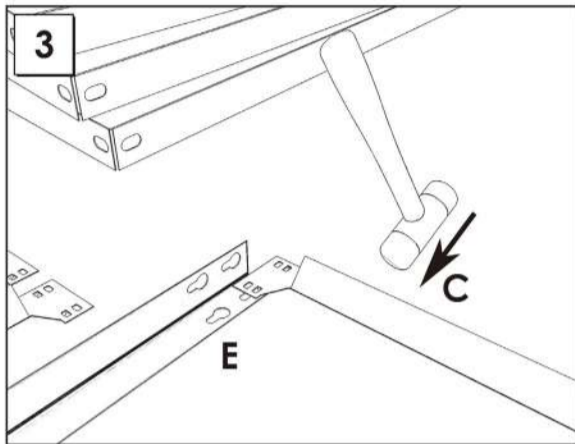
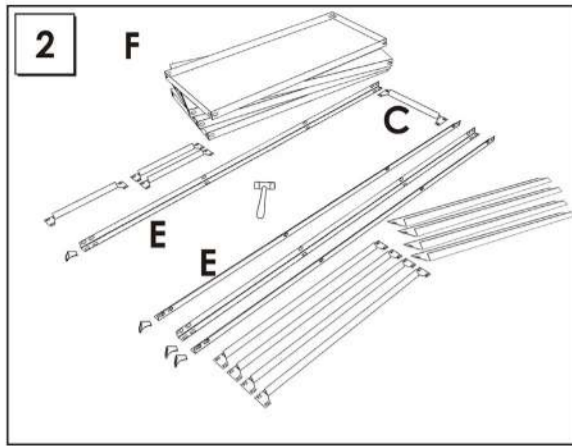
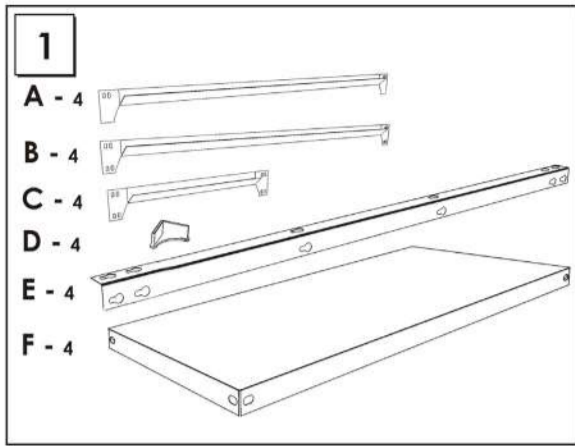
www.simonrack.com



www.simonrack.com



INSTRUCTIONS



**SIMONCLASSIC**



**SIMONCLICK**



**SIMONOFFICE**



**SIMONTALLER**



**BANCOS DE TRABAJO  
WORK BENCHES**



**SIMONHOME**



**TAQUILLAS  
LOCKER**



**SIMONTITÁN**



**SIMONINOX**



**SIMONPALET**



**SIMONLEVER**



**ALTILLOS Y PASILLOS ELEVADOS  
PLATFORMS AND MEZZANINES**

