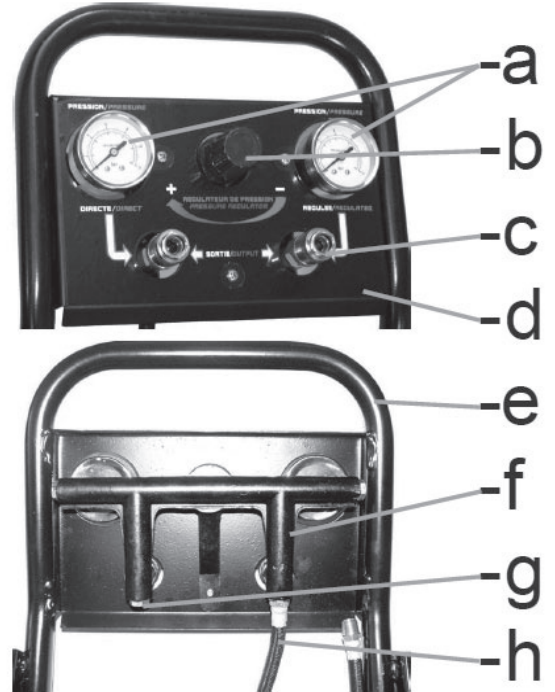
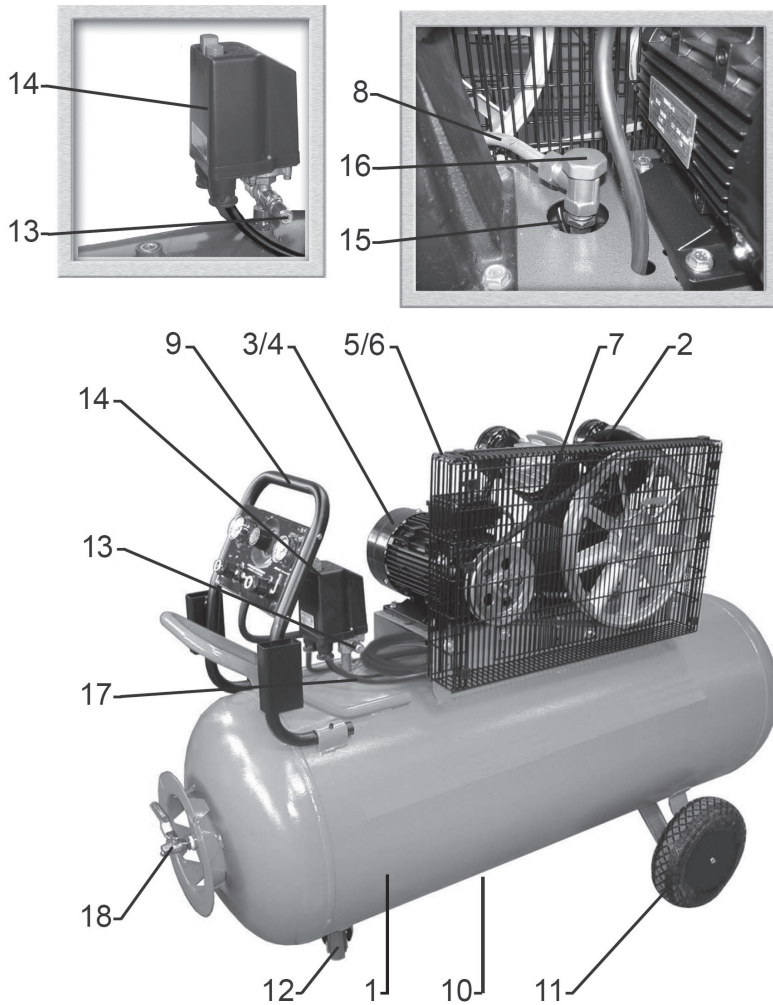




Parts Information:  
**Compressor 200ltr Belt Drive 3hp with  
 Front Control Panel 415V 3ph  
 Model No: SAC3203B3PH**



Item	Part No.	Description
1	SAC3203B.01	TANK 200ltr
2	SAC3203B.02	PUMP 2 CYLINDER (VED355)
3	SAC3203B3PH03	ELECTRICAL MOTOR
--	SAC3203B3P03A	FAN COVER FOR MOTOR (NOT SHOWN)
4	SAC3203B.04	MOTOR PULLEY
5	SAC3203B.08	BELT GUARD
6	SAC32775B.06	PLASTIC CLIP (BELT GUARD)
7	V/A52	V-BELT (ID-1320) A52
8	SAC3203B.11	ALUMINIUM TUBE
9	SAC3203B.12	HANDLE
10	SAC32055B.12	DRAIN PLUG 1/4"
11	SAC3203B.14	WHEEL,PNEUMATIC (260x20x85)
12	SAC3203B.15	WHEEL,CASTOR (W/BRAKE)(100x9x32x126)
13	SAC32055B.15	SAFETY VALVE 11bar

Item	Part No.	Description
14	SAC3203B3PH14	PRESSURE SWITCH 4/6.3Amp 4-12Bar 175Psi
15	SAC32775B.17	DECOMPRESSION TUBE
16	SAC32055B.18	CHECK VALVE
17	SAC3203B3PH17	ELECTRICAL CABLE
18	SAC32055B.20	BALL VALVE 1/4" F/F
A	SAC3203B.H01	PRESSURE GAUGE d:50
B	SAC3203B.H02	PRESSURE REDUCER
C	SAC3203B.H03	QUICK COUPLER
D	SAC3203B.H04	ADHESIVE PANEL
E	SAC3203B.H05	CARRY HANDLE
F	SAC3203B.H06	MANIFOLD
G	SAC3203B.H07	MANIFOLD CAP 1/4"
H	SAC3203B.H08	FLEXIBLE CONNECTING PIPE

**NOTE:** It is our policy to continually improve products and as such we reserve the right to alter data, specifications and component parts without prior notice.

**IMPORTANT:** No liability is accepted for incorrect use of product.

**WARRANTY:** Guarantee is 12 months from purchase date, proof of which will be required for any claim.

**Sealey Group**, Kempson Way, Suffolk Business Park, Bury St Edmunds, Suffolk. IP32 7AR



01284 757500



01284 703534

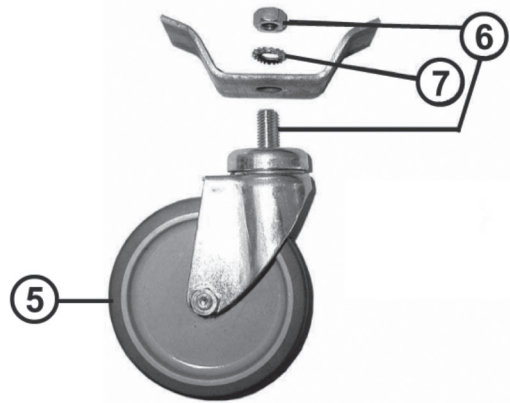
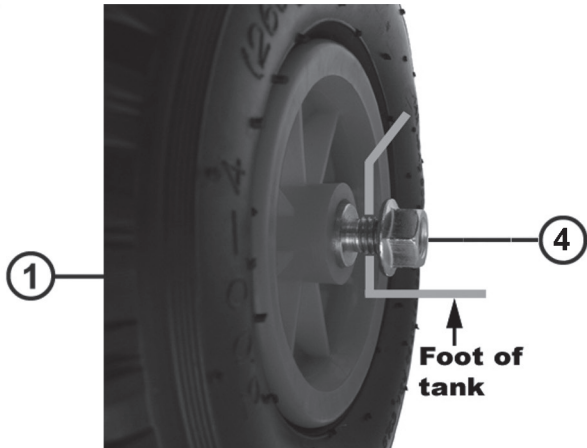


sales@sealey.co.uk



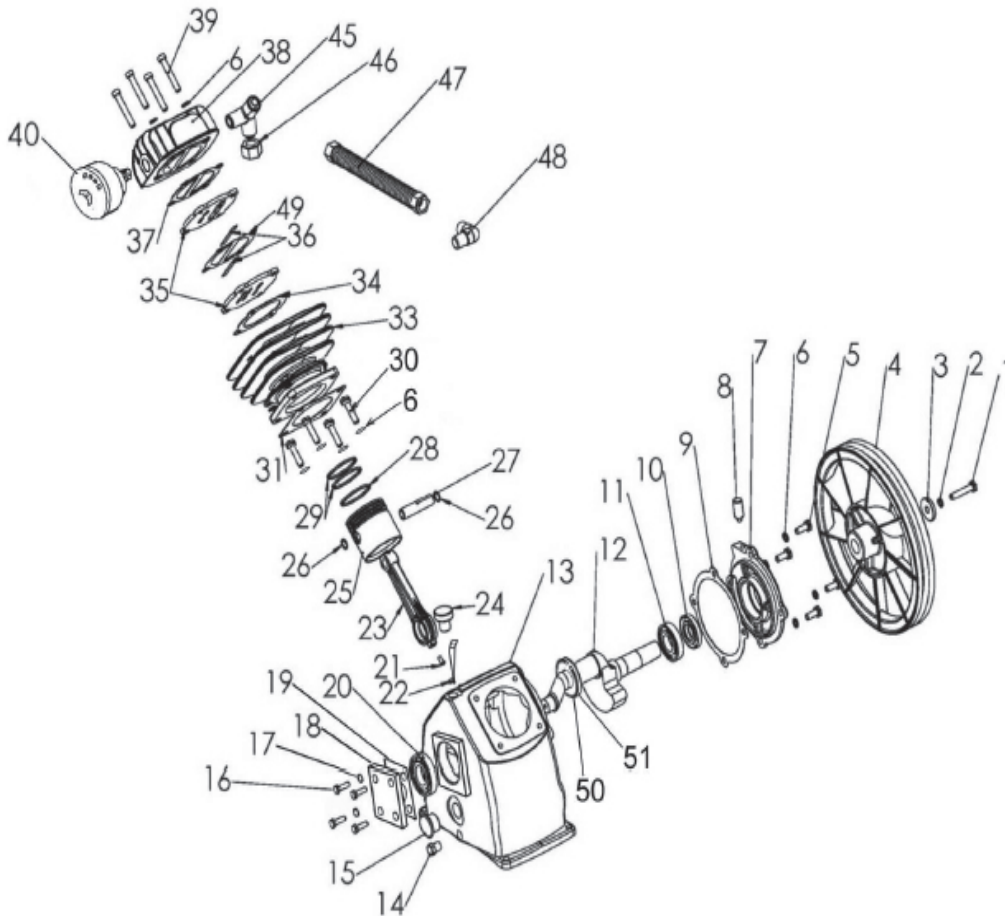
www.sealey.co.uk

Parts Information:  
**Compressor 200ltr Belt Drive 3hp with  
 Front Control Panel 415V 3ph  
 Model No: SAC3203B3PH**



Item	Part No.	Description
1	SAC3503B.W01N	Wheel, Pneumatic D.260
4	SAC3503B.W02N	Wheel Bolt c/w Nut
5	SAC3103B.15	Wheel, Castor (w/brake) (100x9x32x126)

Item	Part No.	Description
6	SAC3203B.W08	Castor Wheel Bolt & Nut M10
7	SAC3203B.W07	M10 Ext Tooth Washer Zinc



**NOTE:** It is our policy to continually improve products and as such we reserve the right to alter data, specifications and component parts without prior notice.

**IMPORTANT:** No liability is accepted for incorrect use of product.

**WARRANTY:** Guarantee is 12 months from purchase date, proof of which will be required for any claim.



Parts Information:  
**Compressor 200ltr Belt Drive 3hp with  
Front Control Panel 415V 3ph  
Model No: SAC3203B3PH**

Item	Part No.	Description
1	SAC32055B.P01	PULLEY BOLT (LEFT)
2	SAC32055B.P02	SPRING WASHER
3	SAC32055B.P03	WASHER - PULLEY
4	SAC3203B.P04	FLYWHEEL
5	SAC32055B.P05	BEARING SEAT BOLT
6	SAC32055B.P06	SPRING WASHER
7	SAC3203B.P07	BEARING SEAT
8	SAC32775B.P57	BREATHER M16x1.5
9	SAC3203B.P08A	BREATHER BASE
10	SAC3203B.P09	GASKET - BEARING SEAT
11	SAC32055B.P11	OIL SEAL (24x47x8)
12	SAC3203B.P12	CRANKSHAFT
13	SAC3203B.P13	CRANKCASE
14	SAC32055B.P16	OIL DRAIN PLUG 1/4"
15	SAC32055B.P17	OIL LEVEL 3/4"
16	SAC32055B.P18	BEARING COVER BOLT
17	SAC32055B.P19	SPRING WASHER
18	SAC32055B.P20	BEARING COVER
19	SAC32055B.P21	BEARING COVER GASKET
20	B/6304	BEARING 6304
21	SAC3203B.P21	BOLT
22	SAC3203B.P22	CONNECTING ROD PIN
23	SAC3203B.P23	CON-ROD

Item	Part No.	Description
24	SAC32055B.P23	OIL FILLER PLUG (M16x1.5)
25	SAC32055B.P28	PISTON
26	SAC32055B.P30	PISTON PIN CIRCLIP
27	SAC32055B.P29	PISTON PIN
28+29	SAC32055B.P31	PISTON RING SET
30	SAC32055B.P33	CYLINDER BOLT (M8)
31	SAC32055B.P34	CRANKCASE CYLINDER GASKET
33	SAC32055B.P36	CYLINDER
34	SAC32775B.P50	HP VALVE SET GASKET 65mm
35	SAC3203B.P35	VALVE SEAT
36	SAC3203B.P36	VALVE PLATE
37	SAC32775B.P46	HP HEAD GASKET 65mm
38	SAC32055B.P41	CYLINDER HEAD (ALUMINIUM)
39	SAC32055B.P42	CYLINDER HEAD BOLT
40	SAC32055B.P43	AIR FILTER
45	SAC3203B.P45	CONNECTOR (3-WAY)
46	SAC32055B.P51	EXHAUST NUT
47	SAC3203B.P47	COOLER COMPLETE
48	SAC32055B.P50	ELBOW
49	SAC32775B.P49	HP ALUMINIUM SEAT
50	SAC3203B.P50	CIRCLIP FOR CRANKSHAFT
51	SAC3203B.P51	FLAT WASHER

**NOTE:** It is our policy to continually improve products and as such we reserve the right to alter data, specifications and component parts without prior notice.

**IMPORTANT:** No liability is accepted for incorrect use of product.

**WARRANTY:** Guarantee is 12 months from purchase date, proof of which will be required for any claim.

**Sealey Group**, Kempson Way, Suffolk Business Park, Bury St Edmunds, Suffolk. IP32 7AR



01284 757500



01284 703534



sales@sealey.co.uk



www.sealey.co.uk