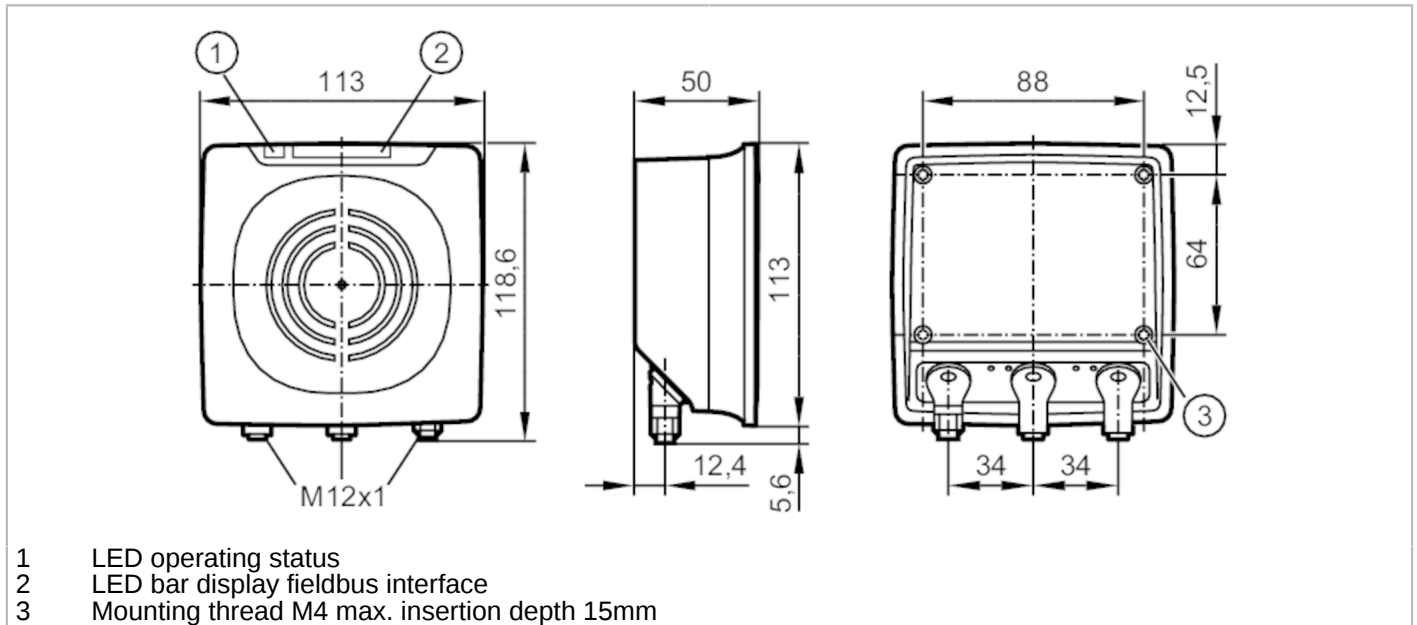


DTE802



Compact RFID device

DTRUHFE HLRWEIUS04




| Application | |
|-----------------------------------|--------------------------------------|
| Radio approval for | Europe |
| Electrical data | |
| Operating voltage [V] | 19.2...28.8 DC |
| Max. current consumption [mA] | 500 |
| Power consumption [W] | 8.6 |
| Protection class | III |
| Operating frequency [MHz] | 865...868 (ETSI) |
| Transmission power ERP [mW] | 200 |
| Outputs | |
| Max. current load per output [mA] | 100; (max.) |
| Detection zone | |
| Angle of aperture [°] | 60 |
| Interfaces | |
| Communication interface | Ethernet |
| Ethernet - EtherNet/IP | |
| Protocol | EtherNet/IP |
| Usage type | data transmission |
| Ethernet - TCP/IP | |
| Protocol | TCP/IP |
| Factory settings | IP address: 192.168.0.79 |
| | subnet mask: 255.255.255.0 |
| | gateway IP address: 192.168.0.100 |
| Usage type | parameter setting; data transmission |

DTE802



Compact RFID device

DTRUHFE HLRWEIUS04

| Operating conditions | | |
|---|-----------------|---|
| Ambient temperature | [°C] | -20...60 |
| Storage temperature | [°C] | -25...80 |
| Protection | | IP 67 |
| Tests / approvals | | |
| EMC | EN 301 489-3 | |
| Shock resistance | IEC 60028-2-27 | 40 g (6 ms) / bump |
| | | 50 g (11 ms) / single shock |
| Vibration resistance | EN 60068-2-6 | 2 g (10...150 Hz) |
| Radio approval | | EN 302 208 |
| MTTF | [years] | 58 |
| Mechanical data | | |
| Weight | [g] | 690.4 |
| Dimensions | [mm] | 138.1 x 63 x 156 |
| Materials | | housing: aluminium; PBT / PC; stainless steel |
| Displays / operating elements | | |
| Display | voltage supply | 1 x LED, green |
| | LED bar display | 4 x LED, yellow signal strength ID tag |
| | status | 2 x LED, green/red fieldbus interface |
| | status | 2 x LED, green/yellow Ethernet |
| Remarks | | |
| Pack quantity | | 1 pcs. |
| Electrical connection - Ethernet | | |
| ETH1 / ETH2 | | |
| 1 | TD+ | |
| 2 | RD+ | |
| 3 | TD- | |
| 4 | RD- | |
| Connector: 2 x M12 | | |
|  | | |

DTE802



Compact RFID device

DTRUHFE HLRWEIUS04

Electrical connection - voltage supply

PWR

| | |
|---|------------------------|
| 1 | L+ |
| 2 | digital input/output 2 |
| 3 | L- |
| 4 | digital input/output 1 |
| 5 | not used |

Connector: 1 x M12

