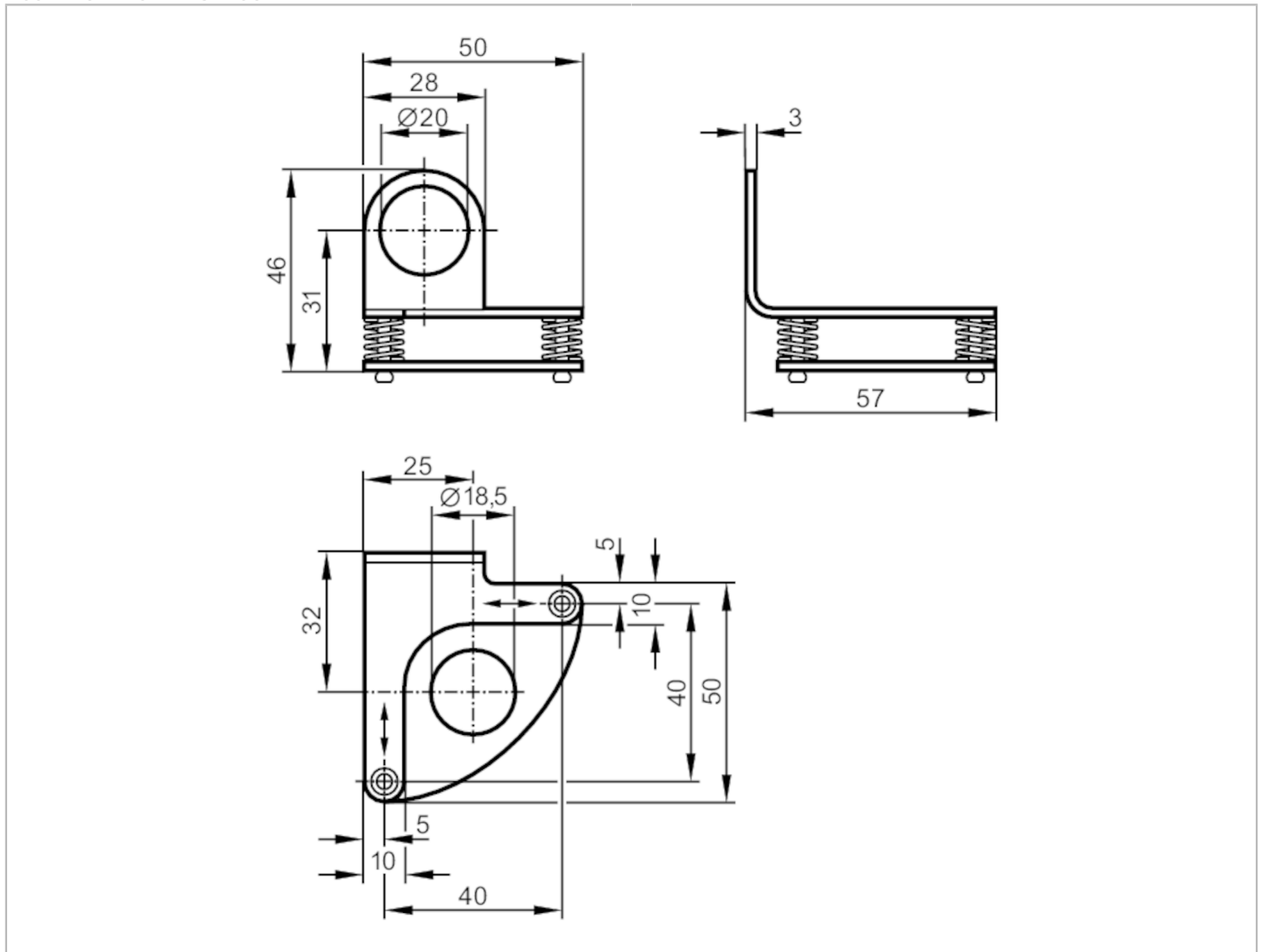


E20737



Fixture for mounting and fine adjustment of laser sensors

MOUNTING FIXTURE LASER OG



| Application | |
|------------------------|--|
| Design | clamp mounting |
| Mechanical data | |
| Weight [g] | 101 |
| Type of mounting | rod or free-standing depending on the clamp |
| Dimensions [mm] | $\varnothing 18,5$ |
| Materials | stainless steel (1.4571/316Ti) |
| Alignment range | fine adjustment in 2 axes $\pm 3^\circ$ |
| Accessories | |
| Accessories (optional) | Clamp:, for rod mounting, E20717 Clamp:, for free-standing mounting, E20716 |
| Remarks | |
| Pack quantity | 1 pcs. |