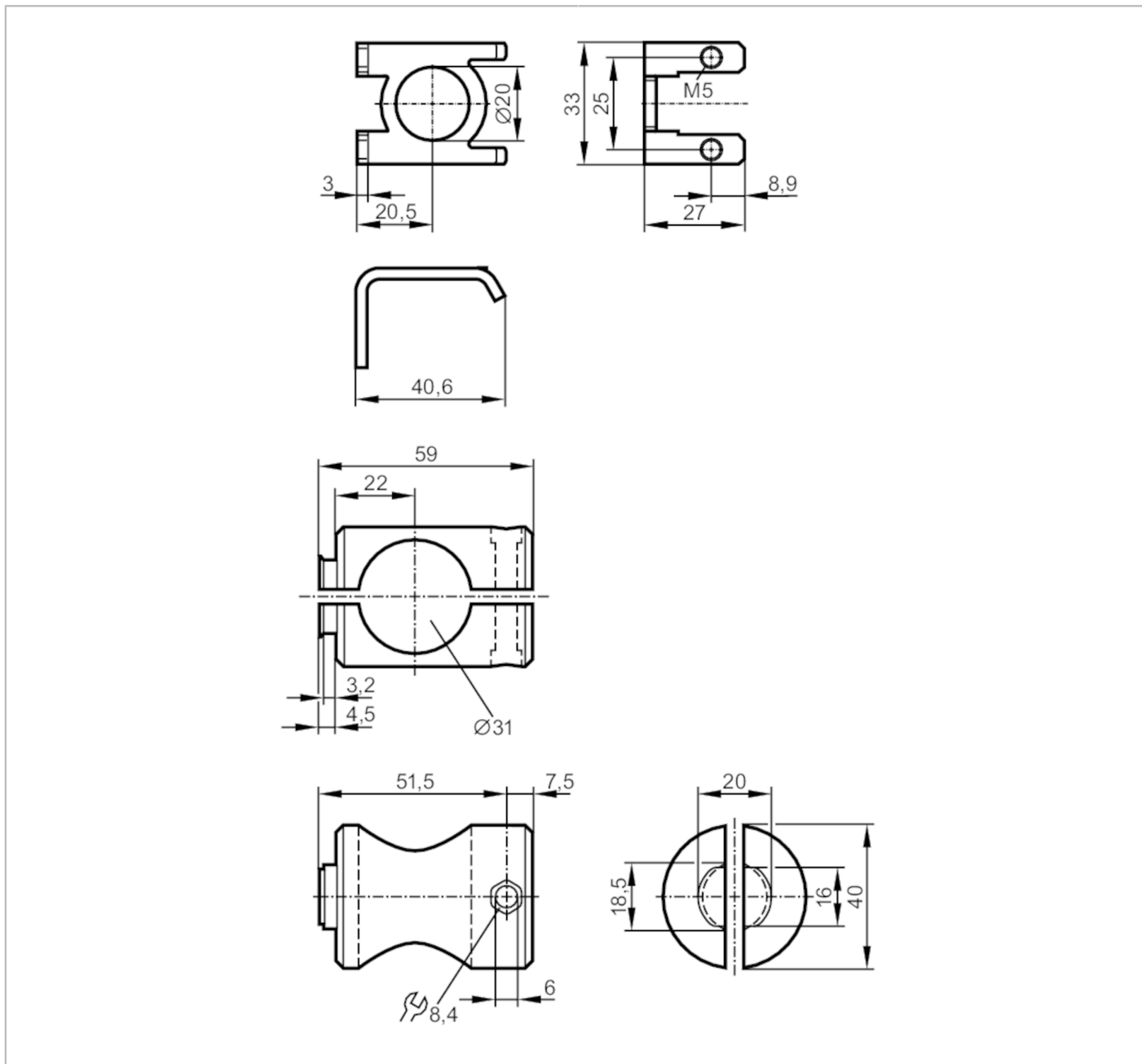


E21128



Mounting set for photoelectric sensors

O5 MOUNTING BRACKET



Application	
Design	clamp mounting
Mechanical data	
Weight [g]	153.5
Type of mounting	Mounting rod; (Ø 30 mm)
Materials	fixture: stainless steel (1.4571/316Ti); Clamp: aluminium uncoloured anodised; screw: stainless steel; nut: stainless steel
Accessories	
Accessories (supplied)	socket head screw: 1 x M5 x 40 socket head screws: 2 x M5 x 8
Remarks	
Pack quantity	1 pcs.