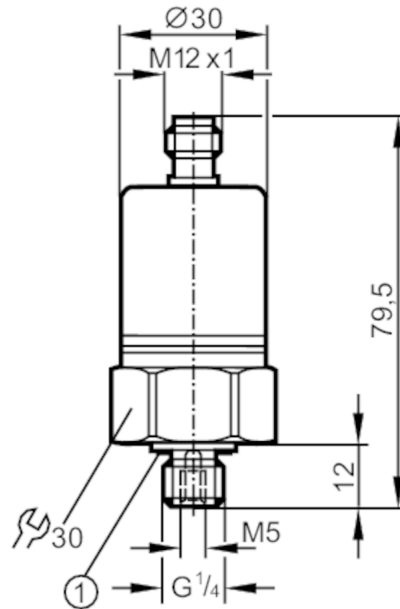


PX3981



Pressure transmitter with ceramic measuring cell

PA-160-SBG14-A/ZVG/US/ IV



1 Sealing



Product characteristics

| | |
|-----------------------|--|
| Output signal | analogue signal |
| Measuring range [bar] | 0...160 |
| Process connection | threaded connection G 1/4 external thread internal thread M5 |

Application

| | |
|------------------------------|--|
| Special feature | Gold-plated contacts |
| Application | for industrial applications |
| Media | liquids and gases |
| Conditionally suitable for | For gaseous media the application is limited to max. 25 bar. |
| Medium temperature [°C] | -25...90 |
| Pressure rating [bar] | 400 |
| Min. bursting pressure [bar] | 850 |
| Type of pressure | relative pressure |

Electrical data

| | |
|---------------------------------|-----------------|
| Operating voltage [V] | 9.6...32 DC |
| Min. insulation resistance [MΩ] | 100; (500 V DC) |
| Protection class | III |
| Reverse polarity protection | yes |

Inputs / outputs

| | |
|------------------------------|-------------------------------|
| Number of inputs and outputs | Number of analogue outputs: 1 |
|------------------------------|-------------------------------|

PX3981



Pressure transmitter with ceramic measuring cell

PA-160-SBG14-A/ZVG/US/ IV

| Outputs | | |
|---|---|---|
| Total number of outputs | 1 | |
| Output signal | analogue signal | |
| Number of analogue outputs | 1 | |
| Analogue current output [mA] | 4...20 | |
| Max. load [Ω] | 720; ($U_b = 24\text{ V}$; ($U_b - 9,6\text{ V}$) / 20 mA) | |
| Overload protection | yes | |
| Measuring/setting range | | |
| Measuring range [bar] | 0...160 | |
| Accuracy / deviations | | |
| Repeatability [% of the span] | < 0,1; (with temperature fluctuations < 10 K) | |
| Characteristics deviation [% of the span] | < $\pm 0,25$ (BFSL) / < $\pm 0,5$ (LS); (BFSL = Best Fit Straight Line; LS = limit value setting) | |
| Long-term stability [% of the span] | < $\pm 0,05$; (per 6 months) | |
| Temperature coefficient zero point [% of the span / 10 K] | 0,1; (0...80 °C) | |
| Temperature coefficient span [% of the span / 10 K] | 0,2; (0...80 °C) | |
| Response times | | |
| Step response time analogue output [ms] | 1 | |
| Operating conditions | | |
| Ambient temperature [°C] | -25...80 | |
| Storage temperature [°C] | -40...100 | |
| Protection | IP 68; IP 69K | |
| Tests / approvals | | |
| EMC | EN 61000-4-2 ESD | 4 kV CD / 8 kV AD |
| | EN 61000-4-3 HF radiated | 30 V/m |
| | EN 61000-4-4 Burst | 2 kV |
| | EN 61000-4-6 HF conducted | 10 V |
| | radiation of interference | according to the automotive directive 2004/104/EC |
| | CISPR 25 | |
| | immunity | according to the automotive directive 2004/104/EC |
| | ISO 11452-2 HF radiated | 100 V/m |
| | ISO 7637-2 pulse | severity level 3 |
| | Shock resistance | DIN EN 60068-2-27 |
| DIN EN 61373 | | category 3 |
| Vibration resistance | DIN EN 60068-2-6 | 20 g (10...2000 Hz) |
| | DIN EN 61373 | category 2 |
| MTTF [years] | 480 | |
| Pressure Equipment Directive | Sound engineering practice; can be used for group 2 fluids; group 1 fluids on request | |
| Railway applications | DIN EN 50155 / IEC 60571 | Klasse T3, C1, S1 |

PX3981



Pressure transmitter with ceramic measuring cell

PA-160-SBG14-A/ZVG/US/ IV

| Mechanical data | |
|-------------------------------|--|
| Weight [g] | 210 |
| Materials | stainless steel (1.4404 / 316L); FKM; PA; EPDM/X |
| Materials (wetted parts) | stainless steel (1.4305 / 303); ceramics; FKM |
| Min. pressure cycles | 100 million |
| Process connection | threaded connection G 1/4 external thread internal thread M5 |
| Restrictor element integrated | no (can be retrofitted) |

| Remarks | |
|---------------|--------|
| Pack quantity | 1 pcs. |

Electrical connection

Connector: 1 x M12; Contacts: gold-plated



Connection

