

## SVS VALVE PLUG FORM A 18MM FIELD-WIREABLE

24V LED PG9 Power Switch

Form A (18 mm)

24 V DC

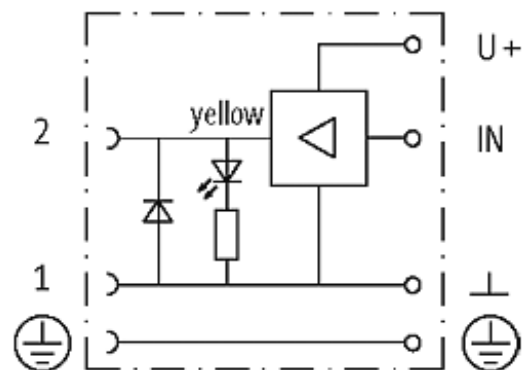
LED and switching amplifier

PG 9

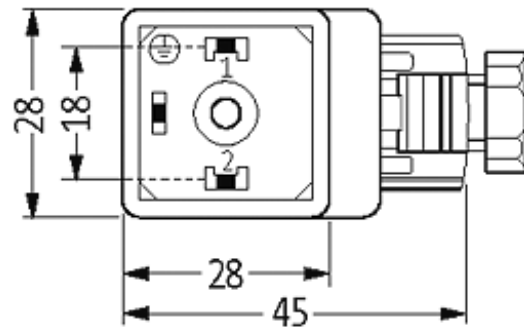
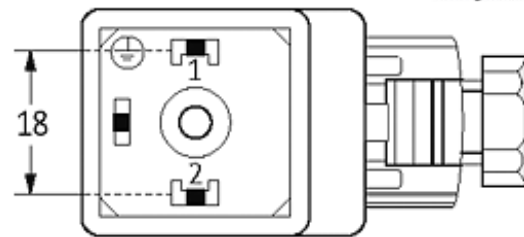
Plastic housings with good resistance against chemicals and oils. The resistance to aggressive media should be individually tested for your application. Further details on request.

### [Link to Product](#)

#### Illustration



stay connected



Height: 41 mm

Product may differ from Image

### Approvals



### Form

29501

### Technical Data

Operating voltage	24 V AC/DC $\pm 25\%$
Control voltage	ON: 10...30 V DC; OFF: 0...6 V DC (IN)
Operating current per contact	max. 2 A (short-circuit protected)
Switch off peak	max. 46 V
Connection cross section	4 mm <sup>2</sup> single core, with ferrule end 1.5 mm <sup>2</sup>
Sealing range (cable diameter)	6...8 mm
Locking of ports	M3 (recommended torque 0.4 Nm)
Compression gland	PG 9; (PG11, NPT 1/2" on request)
Protection	IP65 inserted and tightened (EN 60529), with gland

### General data

Temperature range	-20...+60 °C
-------------------	--------------

### Commercial data

country of origin	CZ
customs tariff number	85369010
minimum order quantity	1

