

## SVS VALVE PLUG FORM BI 11MM FIELD-WIREABLE

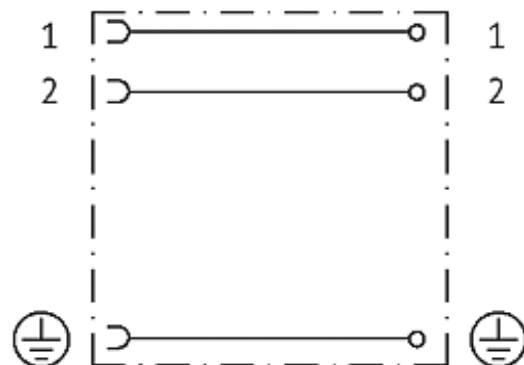
0...230V PG9

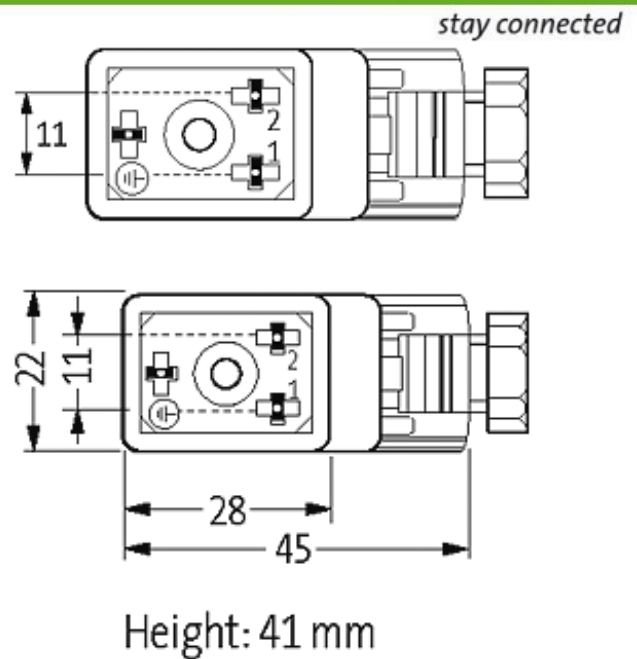
Form BI (11 mm)  
0...230 V AC/DC, without components  
PG 9

Plastic housings with good resistance against chemicals and oils. The resistance to aggressive media should be individually tested for your application. Further details on request.

### [Link to Product](#)

#### Illustration





Product may differ from Image

### Approvals



### Form

30021

### Technical Data

Operating voltage	0...230 V AC/DC
Operating current per contact	max. 10 A
Sealing range (cable diameter)	6...8 mm
Compression gland	PG 9
Plug color	Black housing, transparent flip top
Protection	IP65 inserted and tightened (EN 60529), with gland
Locking of ports	M3 (recommended torque 0.4 Nm)
Connection cross section	4 mm <sup>2</sup> single core, with ferrule end 1.5 mm <sup>2</sup>

### General data

Temperature range	-20...+60 °C
-------------------	--------------

### Commercial data

country of origin	CZ
customs tariff number	85369010
minimum order quantity	1