



CE

### Model Number

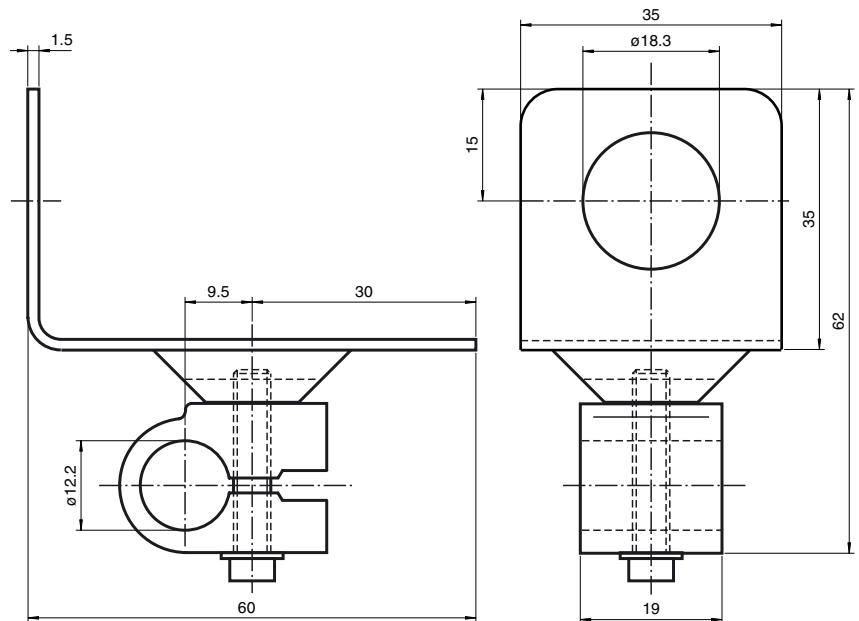
**OMH-04**

Mounting aid for round steel  $\varnothing$  12 mm or sheet 1.5 mm ... 3 mm

### Features

- Bracket for round steel or sheet

## Dimensions



## Technical data

### Mechanical specifications

Material	Metal sheet (steel), nickel-plated aluminum
Mass	approx. 60 g

### Suitable series

Series	VL18 18GM60 CP18
--------	------------------------