



Model Number

NCN25-F35-A2-250-15M-V1

Features

- **Comfort series**
- **25 mm flush mountable**
- **Extended temperature range of sensor component**
0 ... 250 °C (0 ... 482 °F)
- **15 m cable between sensor and amplifier with metal case**
- **Suitable for drag chains**
- **Minimum bending radius of 30 cm for movable laying**

Accessories

V1-G

Female connector, M12, 4-pin, field attachable

V1-W-2M-PUR

Female cordset, M12, 4-pin, PUR cable

V1-W

Female connector, M12, 4-pin, field attachable

V1-G-2M-PUR

Female cordset, M12, 4-pin, PUR cable

Technical Data

General specifications

Switching element function	PNP	NO/NC
Rated operating distance	s_n	25 mm
Installation		flush mountable
Output polarity		DC
Assured operating distance	s_a	0 ... 20 mm
Reduction factor r_{Al}		0.5
Reduction factor r_{Cu}		0.5
Reduction factor r_{304}		0.6 ... 1
Mounting angle		Al
Amplifier housing		Stainless steel

Nominal ratings

Operating voltage	U_B	10 ... 30 V
Switching frequency	f	0 ... 20 Hz
Hysteresis	H	0.3 ... 5 typ. 2 %
Reverse polarity protection		reverse polarity protected
Short-circuit protection		pulsing
Voltage drop	U_d	≤ 3 V
Operating current	I_L	0 ... 200 mA
No-load supply current	I_0	≤ 25 mA
Time delay before availability	t_v	≤ 20 ms
Switching state indicator		Multihole-LED, yellow

Functional safety related parameters

MTTF _d	7515 a
Mission Time (T _M)	20 a
Diagnostic Coverage (DC)	0 %

Ambient conditions

Ambient temperature	0 ... 250 °C (32 ... 482 °F)
---------------------	------------------------------

Mechanical specifications

Connection type	Connector M12 x 1, 4-pin
Cable version	PFA cable, with armour of stainless steel
Core cross-section	3 x 0.34, screened
Housing material	PTFE / Al / 1.4305 / AISI 303
Sensing face	PTFE
Degree of protection	amplifier IP67 sensor IP40
Cable length	L = 15 m
Note	- amplifier 0 °C ... 70 °C - $r_{1.4305}$ dep. on thickness of measurement plate d: $r_{1.4305} = 1$ for $d < 1$ mm Additional accessory: Protective cover SH-F35 is available for use in areas where there is moisture and as a means of mechanical protection.

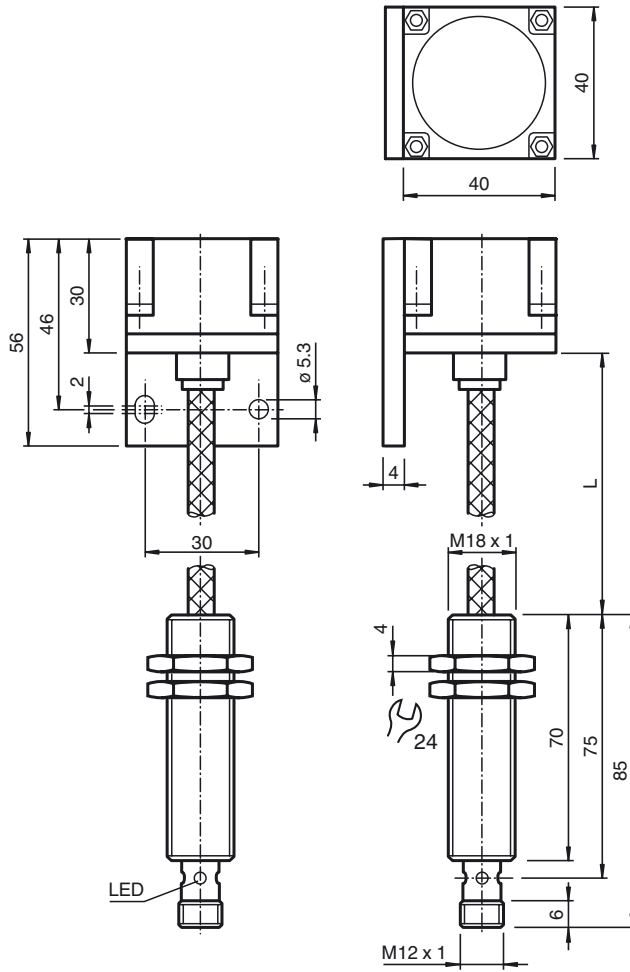
Compliance with standards and directives

Standard conformity	
Standards	EN 60947-5-2:2007 IEC 60947-5-2:2007

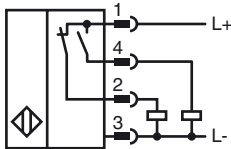
Approvals and certificates

UL approval	cULus Listed, General Purpose, Class 2 Power Source
CCC approval	CCC approval / marking not required for products rated ≤ 36 V

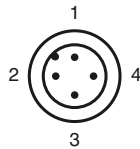
Dimensions



Electrical Connection



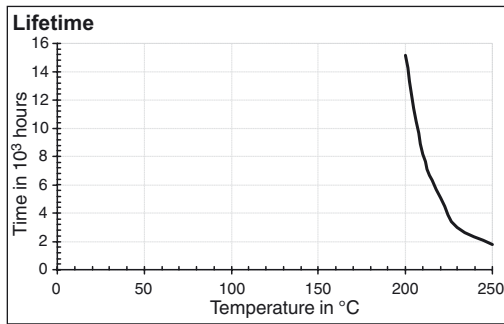
Pinout



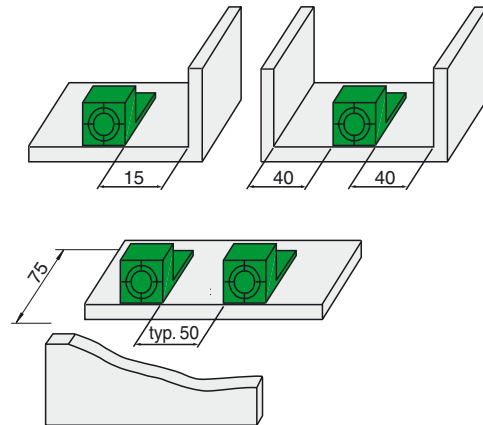
Wire colors in accordance with EN 60947-5-2

1	BN	(brown)
2	WH	(white)
3	BU	(blue)
4	BK	(black)

Additional Information

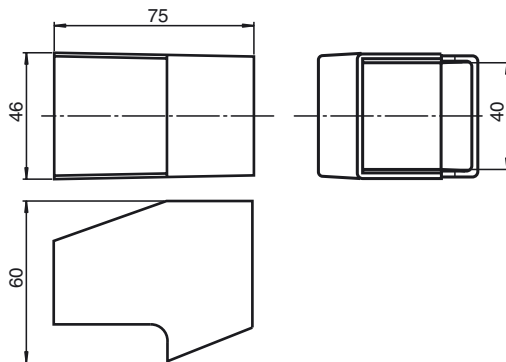


Installation:



Accessories:

Protective Cover SH-F35



Release date: 2015-03-11 07:50 Date of issue: 2015-03-11 187480_eng.xml