



Model Number

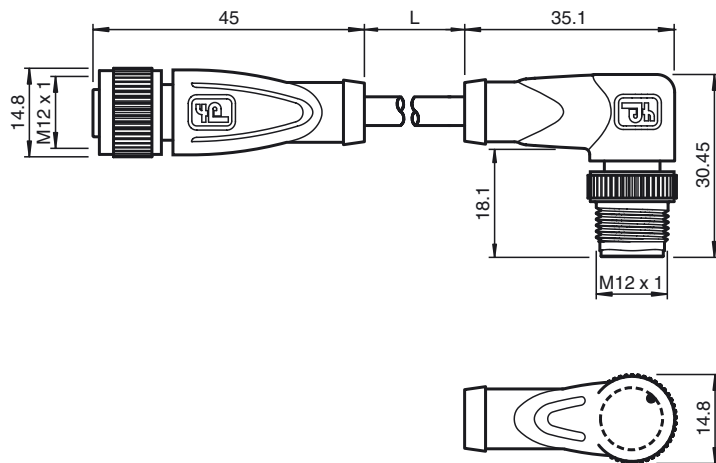
V15-G-0,6M-PUR-V15-W

Connecting cable, M12 to M12, PUR cable 5-pin

Features

- Knurled nut suitable for tool assembly
- Immunity to vibration, with mechanical latching
- Gold-plated and machined contacts
- Degree of protection IP67 / IP68 / IP69K
- Halogen-free

Dimensions



Technical data

General specifications

Number of pins 5

Electrical specifications

Operating voltage U_B max. 60 V AC/DC
 Operating current I_B max. 4 A
 Contact resistance < 10 mΩ

Ambient conditions

Ambient temperature 40 ... 90 °C (104 ... 194 °F)
 cable, fixed: -40 ... 80 °C (-40 ... 176 °F)
 cable, flexing: -30 ... 80 °C (-22 ... 176 °F)

Pollution degree 3

Mechanical specifications

Contact elements spring-loaded contact socket
 Pin diameter 1 mm
 Degree of protection IP67 / IP68 / IP69k

Material

Contacts CuSn / Au
 Contact surface Au
 Body TPU, black
 Cable PUR
 Slotted nut Diecast zinc
 Sleeve connector Diecast zinc
 Core insulation PP
 Cable fine-strand, flexible
 Sheath diameter Ø 4.8 mm
 Bending radius > 10 x cable diameter, moving
 Color grey
 Cores 5 x 0.34 mm²
 Conductor construction 19 x 0.15 mm Ø
 Length L 0.6 m

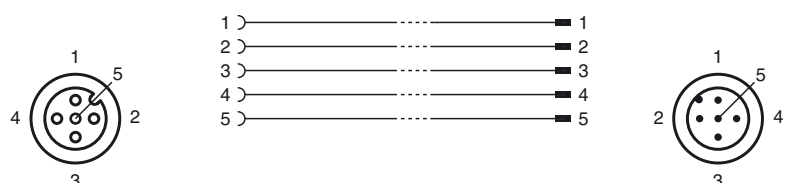
Flammability

Contact carrier 94 HB
 Housing 94 V-2

Compliance with standards and directives

Standard conformity
 Degree of protection EN 60529:2000
 Standards IEC 61076-2-101:2008
 Flammability Grip: UL 94

Electrical connection



Release date: 2016-04-05 15:08 Date of issue: 2016-04-05 240776-100000_eng.xml