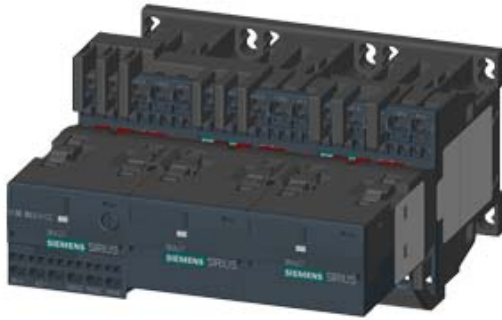


STAR-DELTA COMB. WITH I/O-LINK AC3,  
7.5KW/400V DC24V, 3-POLE SZ S00, SPRING-  
LOADED TERMINAL ELECTR. AND MECH.  
INTERLOCK 3NO INTEGR.



product brand name	SIRIUS
Product designation	star-delta (wye-delta) contactor assembly 3RA24
<b>Manufacturer article number</b>	
<ul style="list-style-type: none"> <li>• 1 of the supplied contactor</li> <li>• 2 of the supplied contactor</li> <li>• 3 of the supplied contactor</li> <li>• of the supplied RS assembly kit</li> <li>• of the supplied function module for communication</li> </ul>	<a href="#">3RT2017-2BB41-0CC0</a> <a href="#">3RT2017-2BB41</a> <a href="#">3RT2015-2BB41</a> <a href="#">3RA2913-2BB2</a> <a href="#">3RA2711-2CA00</a>

### General technical data:

<b>Insulation voltage</b>		
<ul style="list-style-type: none"> <li>• with degree of pollution 3 Rated value</li> </ul>	V	690
<b>Degree of pollution</b>		3
<b>Shock resistance</b>		9.8g / 5 ms and 5.9g / 10 ms
<b>Surge voltage resistance Rated value</b>	kV	6
<b>Mechanical service life (switching cycles)</b>		
<ul style="list-style-type: none"> <li>• of the contactor typical</li> <li>• of the contactor with added auxiliary switch block typical</li> </ul>		10 000 000 10 000 000
<b>Protection class IP</b>		
<ul style="list-style-type: none"> <li>• on the front</li> </ul>		IP20
<b>Equipment marking</b>		
<ul style="list-style-type: none"> <li>• acc. to DIN EN 81346-2</li> </ul>		Q

### Main circuit:

<b>Number of poles for main current circuit</b>		3
---	--	---

<b>Number of NC contacts for main contacts</b>		0
<b>Number of NO contacts for main contacts</b>		3
<b>Operating voltage</b>		
• at AC-3 Rated value maximum	V	690
<b>Operating current</b>		
• at AC-1		
— at 400 V at ambient temperature 40 °C Rated value	A	22
— at 400 V at ambient temperature 60 °C Rated value	A	20
• at AC-2 at 400 V Rated value	A	16
• at AC-3		
— at 400 V Rated value	A	16
<b>Operating power</b>		
• at AC-2 at 400 V Rated value	kW	7.5
<b>Operating power</b>		
• at AC-3		
— at 400 V Rated value	kW	7.5
— at 500 V Rated value	kW	10.3
— at 690 V Rated value	kW	9.2
<b>Operating frequency</b>		
• at AC-3 maximum	1/h	1 000
<b>No-load switching frequency</b>	1/h	1 500

#### Control circuit/ Control:

<b>Type of voltage of the control supply voltage</b>		DC
<b>Control supply voltage 1</b>		
• for DC Rated value	V	24
<b>Operating range factor control supply voltage rated value of the magnet coil for DC</b>		0.85 ... 1.1
<b>Design of the surge suppressor</b>		with varistor
<b>Closing power of the magnet coil for DC</b>	W	5.9
<b>Holding power of the magnet coil for DC</b>	W	5.9

#### Auxiliary circuit:

<b>Number of NC contacts</b>		
• for auxiliary contacts		
— instantaneous contact		0
— lagging switching		0
<b>Number of NO contacts</b>		
• for auxiliary contacts		
— instantaneous contact		3
— leading contact		0
<b>Product expansion Auxiliary switch</b>		No

<b>Operating current of the auxiliary contacts at AC-12 maximum</b>	A	10
<b>Operating current of the auxiliary contacts at AC-15</b>	A	6
• at 230 V	A	3
• at 400 V	A	3
<b>Operating current of the auxiliary contacts at DC-13</b>	A	10
• at 24 V	A	2
• at 60 V	A	1
• at 110 V	A	0.3
• at 220 V	A	0.3
<b>Contact reliability of the auxiliary contacts</b>		< 1 error per 100 million operating cycles

<b>UL/CSA ratings:</b>		
<b>Contact rating of the auxiliary contacts acc. to UL</b>		A600 / Q600

<b>Short-circuit:</b>		
<b>Design of the fuse link</b>		
• for short-circuit protection of the main circuit		
— with type of assignment 1 required		gL/gG LV HRC 3NA, DIAZED 5SB, NEOZED 5SE: 35 A
— with type of assignment 2 required		gL/gG LV HRC 3NA, DIAZED 5SB, NEOZED 5SE: 20 A
• for short-circuit protection of the auxiliary switch required		fuse gL/gG: 10 A

<b>Installation/ mounting/ dimensions:</b>		
<b>mounting position</b>		+/-180° rotation possible on vertical mounting surface; can be tilted forward and backward by +/- 22.5° on vertical mounting surface
<b>Mounting type</b>		screw and snap-on mounting onto 35 mm standard mounting rail
<b>Height</b>	mm	84
<b>Width</b>	mm	135
<b>Depth</b>	mm	145
<b>Required spacing</b>		
• with side-by-side mounting		
— forwards	mm	6
— Backwards	mm	0
— upwards	mm	6
— downwards	mm	6
— at the side	mm	6
• for grounded parts		
— forwards	mm	6
— Backwards	mm	0
— upwards	mm	6

— at the side	mm	6
— downwards	mm	6
• for live parts		
— forwards	mm	6
— Backwards	mm	0
— upwards	mm	6
— downwards	mm	6
— at the side	mm	6

#### Connections/ Terminals:

<b>Type of electrical connection</b>		
• for main current circuit		spring-loaded terminals
• for auxiliary and control current circuit		spring-loaded terminals
<b>Type of connectable conductor cross-section</b>		
• for main contacts		
— single or multi-stranded		2x (0,5 ... 4 mm <sup>2</sup> )
— finely stranded with core end processing		2x (0.5 ... 2.5 mm <sup>2</sup> )
— finely stranded without core end processing		2x (0.5 ... 2.5 mm <sup>2</sup> )
• for AWG conductors for main contacts		1x (20 ... 12)
• for auxiliary contacts		
— single or multi-stranded		2x (0,5 ... 2,5 mm <sup>2</sup> )
— finely stranded with core end processing		2x (0.5 ... 1.5 mm <sup>2</sup> )
— finely stranded without core end processing		2x (0.5 ... 1.5 mm <sup>2</sup> )
• for AWG conductors for auxiliary contacts		2x (20 ... 14)

#### Safety related data:

<b>B10 value with high demand rate acc. to SN 31920</b>		1 000 000
<b>Proportion of dangerous failures</b>		
• with low demand rate acc. to SN 31920	%	40
• with high demand rate acc. to SN 31920	%	75
<b>Failure rate [FIT] with low demand rate acc. to SN 31920</b>	FIT	100
<b>T1 value for proof test interval or service life acc. to IEC 61508</b>	y	20
<b>Protection against electrical shock</b>		finger-safe

#### Mechanical data:

<b>Size of contactor</b>		S00
--------------------------	--	-----

#### Communication/ Protocol:

<b>Product function Bus communication</b>		Yes
<b>Protocol is supported</b>		
• AS-interface protocol		No

Product function Control circuit interface with IO link	Yes
---	-----

#### Ambient conditions:

Installation altitude at height above sea level maximum	m	2 000
Ambient temperature		
• during operation	°C	-25 ... +60
• during storage	°C	-55 ... +80

#### Certificates/ approvals:

General Product Approval	Declaration of Conformity	Test Certificates	Shipping Approval
--------------------------	---------------------------	-------------------	-------------------



[Special Test Certificate](#)



Shipping Approval	other
-------------------	-------



GL



LRS



PRS



RINA



RMRS

[Environmental Confirmations](#)

other
-------

[other](#)

#### Further information

**Information- and Downloadcenter (Catalogs, Brochures,...)**

<http://www.siemens.com/industrial-controls/catalogs>

**Industry Mall (Online ordering system)**

<http://www.siemens.com/industrymall>

**Cax online generator**

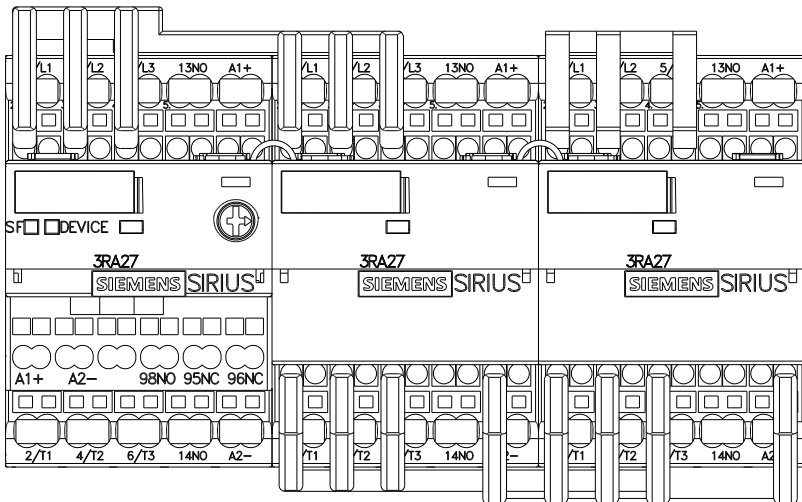
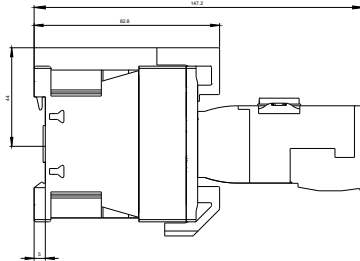
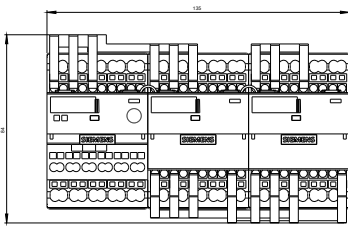
<http://support.automation.siemens.com/WW/CAXorder/default.aspx?lang=en&mlfb=3RA24168XE312BB4>

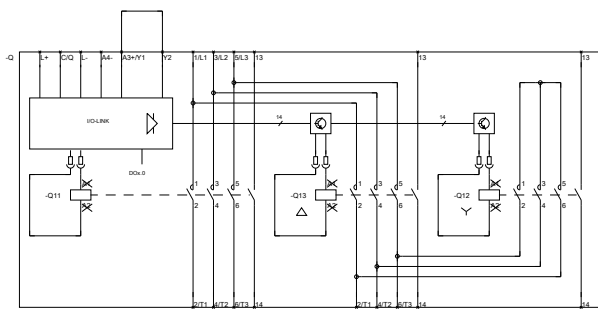
**Service&Support (Manuals, Certificates, Characteristics, FAQs,...)**

<http://support.automation.siemens.com/WW/view/en/3RA24168XE312BB4/all>

**Image database (product images, 2D dimension drawings, 3D models, device circuit diagrams, EPLAN macros, ...)**

[http://www.automation.siemens.com/bilddb/cax\\_de.aspx?mlfb=3RA24168XE312BB4&lang=en](http://www.automation.siemens.com/bilddb/cax_de.aspx?mlfb=3RA24168XE312BB4&lang=en)





last modified:

11.03.2015

STERNDRIECKKOMB.

DRUMMOTORING 1 (RECHTSLAUF)

STERNDRIECKKOMB.

DRUMMOTORING 1 (RECHTSLAUF)