



SIRIUS POSITION SWITCH METAL HOUSING 40MM TO EN50041 1NO/1NC SNAP-ACTION CONTACTS W. M12 CONNECTOR, 5-POLE, FIXED W. 2 LEDs, YELLOW/GREEN, 24V DC, ROLLER PLUNGER MIT STAINLESS STEEL ROLLER 13MM PIN ASSIGNMENT: PIN1=21, PIN2=22, PIN3=13 AND LED GREEN, PIN4=14 AND LED YELLOW, PIN5=GROUND LED

Product designation		standard position switch
<b>Manufacturer article number</b>		
<ul style="list-style-type: none"> <li>• of the supplied basic switch</li> <li>• of the supplied actuator head for position switches</li> <li>• of the supplied switching contacts</li> </ul>		<a href="#">3SE5114-1CA00-0AF3</a> <a href="#">3SE5000-0AD02</a> <a href="#">3SE5000-0CA00</a>

General technical data:		
<b>Product function</b>		
<ul style="list-style-type: none"> <li>• positive opening</li> </ul>		Yes
<b>Insulation voltage</b>		
<ul style="list-style-type: none"> <li>• Rated value</li> </ul>	V	125
<b>Degree of pollution</b>		class 3
<b>Shock resistance</b>		30g / 11 ms
<b>Vibration resistance</b>		0.35 mm / 5g
<b>Surge voltage resistance Rated value</b>	kV	0.8
<b>Mechanical service life (switching cycles)</b>		
<ul style="list-style-type: none"> <li>• typical</li> </ul>		15 000 000
<b>Electrical endurance (switching cycles) with contactor 3RH11, 3RT1016, 3RT1017, 3RT1024, 3RT1025, 3RT1026 typical</b>		10 000 000
<b>Electrical operating cycles in one hour with contactor 3RH11, 3RT1016, 3RT1017, 3RT1024, 3RT1025, 3RT1026</b>		6 000
<b>Thermal current</b>	A	4
<b>Material of the enclosure of the switch head</b>		metal
<b>Protection class IP</b>		IP66/IP67

<b>Equipment marking</b>		
• acc. to DIN EN 61346-2		B
• acc. to DIN EN 81346-2		B
<b>Active principle</b>		mechanical
<b>Repeat accuracy</b>	mm	0.05
Explosion protection category for dust		none
Explosion protection category for gas		none
Minimum actuating force in activation direction	N	20
<b>Operating current</b>		
• at DC-13		
— at 24 V Rated value	A	3

#### Enclosure:

<b>Design of the housing</b>		block, narrow
<b>Material of the enclosure</b>		metal
<b>Coating of the enclosure</b>		cathodic immersion coating
<b>Design of the housing acc. to standard</b>		Yes

#### Drive Head:

<b>Design of the operating mechanism</b>		Stainless steel roller
<b>Standard-compliant actuator head</b>		EN 50041, design C
<b>Shape of the switch head</b>		roller
<b>Design of the switching function</b>		positive opening

#### Connections/ Terminals:

<b>Type of electrical connection</b>		M12 plug, fixed
--------------------------------------	--	-----------------

#### Mechanical data:

<b>Cable entry type</b>		M12 plug
<b>Design of plug-in connection</b>		M12 plug, 5-pole: Pin 1 = terminal 21, Pin 2 = 22, Pin 3 = 13/LED green, Pin 4 = 14/LED yellow, Pin 5 = ground LED

#### Communication/ Protocol:

<b>Design of the interface</b>		without
--------------------------------	--	---------

#### Ambient conditions:

<b>Ambient temperature</b>		
• during operation	°C	-25 ... +60
• during storage	°C	-40 ... +90

#### Supply voltage:

<b>Type of voltage of the supply voltage</b>		
• of the optional LED indicator		DC
<b>Supply voltage</b>		
• of LED	V	24

#### Installation/ mounting/ dimensions:

mounting position		any
Mounting type		screw fixing

#### Certificates/ approvals:

General Product Approval	Declaration of Conformity	Test Certificates
 CCC		 EG-Konf.
 CSA	 UL	<a href="#">Special Test Certificate</a>

#### other

[Confirmation](#)

#### Further information

##### Information- and Downloadcenter (Catalogs, Brochures,...)

<http://www.siemens.com/industrial-controls/catalogs>

##### Industry Mall (Online ordering system)

<http://www.siemens.com/industrymall>

##### Cax online generator

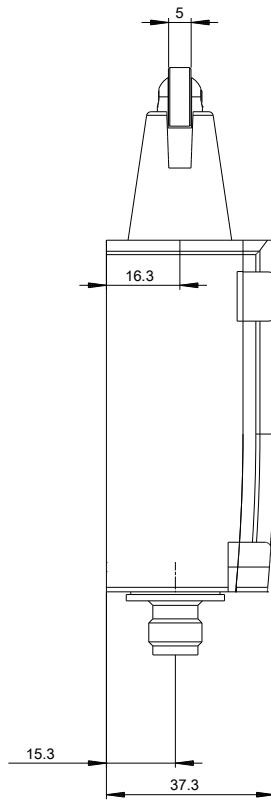
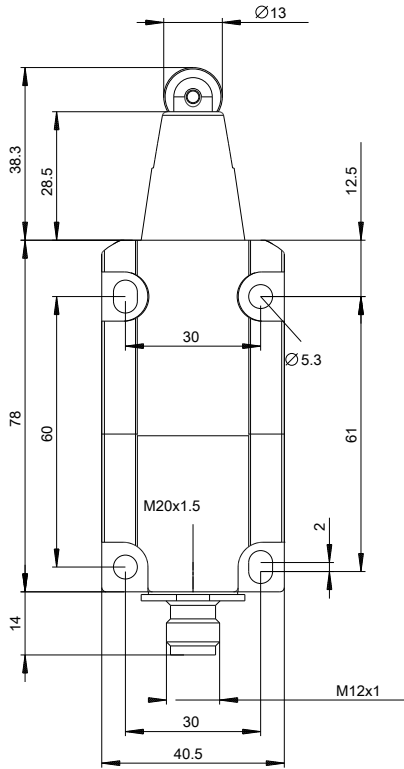
<http://support.automation.siemens.com/WW/CAXorder/default.aspx?lang=en&mlfb=3SE51141CD021AF3>

##### Service&Support (Manuals, Certificates, Characteristics, FAQs,...)

<http://support.automation.siemens.com/WW/view/en/3SE51141CD021AF3/all>

##### Image database (product images, 2D dimension drawings, 3D models, device circuit diagrams, EPLAN macros, ...)

[http://www.automation.siemens.com/bilddb/cax\\_de.aspx?mlfb=3SE51141CD021AF3&lang=en](http://www.automation.siemens.com/bilddb/cax_de.aspx?mlfb=3SE51141CD021AF3&lang=en)



last modified:

09.03.2015