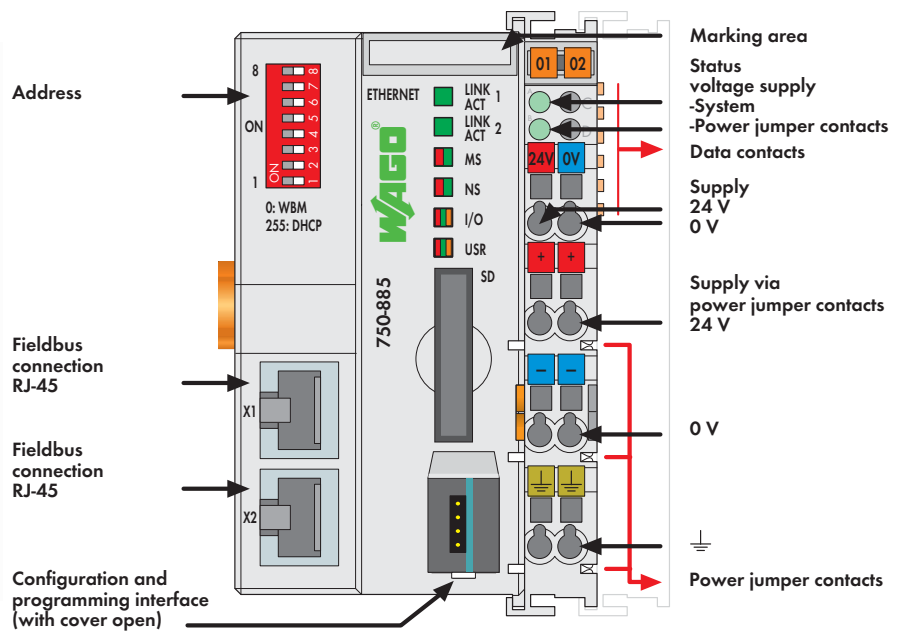


PLC - ETHERNET Programmable Media Redundancy Fieldbus Controller

32-bit CPU, multitasking, with memory card slot

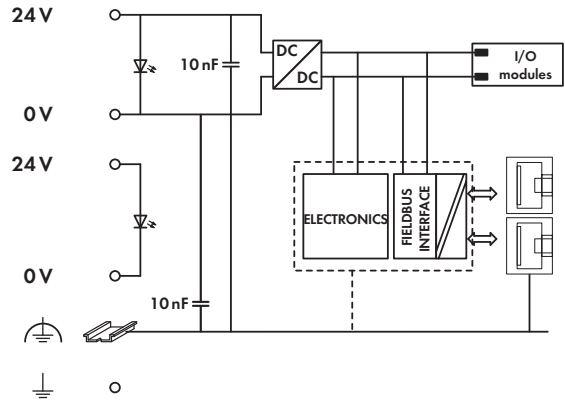
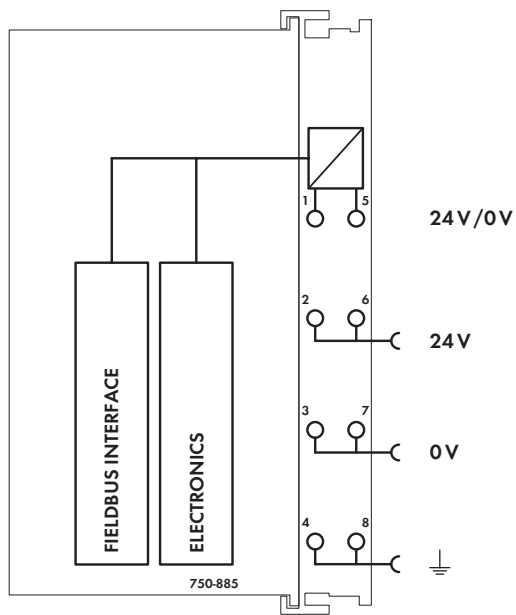


In conjunction with the WAGO-I/O-SYSTEM, the 750-885 ETHERNET PLC serves ETHERNET networks requiring fast and safe media redundancy. The PLC supports all digital, analog and specialty modules found within the 750/753 Series, and is suitable for data rates of 10/100 Mbit/s. Media redundancy is achieved by operating the controller in two separate networks – which is accessible via two different IP addresses (including two MAC IDs). Cross communication between separate channels is not possible. The two separate ETHERNET interfaces allow redundant connection of two transmission paths (no hub or switch required). Both interfaces support Auto-Negotiation and Auto-MDI(X). The DIP switch configures the last byte of both default IP addresses and may be used for IP address assignment (DHCP, BootP).

The media redundancy PLC is designed for fieldbus communication via MODBUS/TCP in ETHERNET networks. It also supports a wide variety of standard ETHERNET protocols (e.g., HTTP, BootP, DHCP, DNS, FTP). An integrated Web server provides configuration options to the user, while displaying PLC status information. The IEC 61131-3 programmable controller is multitasking-capable and features a battery-backed RTC. A data memory of 1 Mbyte is available. For memory expansion, the 750-885 PLC is equipped with a removable memory card slot.

Description	Item No.	Pack. Unit
ETHERNET MR/SD Fieldbus Controller	750-885	1
ETHERNET MR/SD Fieldbus Controller/T	750-885/025-000	1
Extended temperature range: -20 °C ... +60 °C		
Accessories	Item No.	Pack. Unit
SD memory card, 2 GB	758-879/000-001	1
WAGO-I/O-PRO V2.3, RS-232 kit	759-333	1
Miniature WSB Quick marking system		
plain	248-501	5
Approvals		
Conformity marking	CE	
Marine applications (versions upon request)	GL	
UL 508		
TÜV 07 ATEX 554086 X	I M2 Ex d I Mb, II 3 G Ex nA IIC T4 Gc, II 3 D Ex tc IIIC T135°C Dc	
Permissible ambient temperature	0 °C ... +60 °C	
IECEx TUN 09.0001 X	Ex d I Mb, Ex nA IIC T4 Gc, Ex tc IIIC T135°C Dc	
Permissible ambient temperature	0 °C ... +60 °C	

System Data	
No. of controllers connected to Master	limited by ETHERNET specification
Transmission medium	Twisted Pair S-UTP
	100 Ω, Cat 5;
	Max. line length: 100 m
Baud rate	10/100 Mbit/s
Transmission performance	Class D acc. to EN 50173
Buscoupler connection	2 x RJ-45
Protocols	EtherNet/IP, MODBUS/TCP (UDP), HTTP, BootP, DHCP, DNS, SNTP, FTP, SNMP
Programming	WAGO-I/O-PRO V2.3
IEC 61131-3	IL, LD, FBD (CFC), ST, FC
Redundancy function	via two logically separated ETHERNET interfaces
SD card slot	Push-push mechanism, sealable cover lid
Type of memory card	SD and SDHC up to 32 Gbytes (All guaranteed properties are only valid in combination with the WAGO 758-879/000-001 memory card.)



Technical Data		General Specifications	
Number of I/O modules	64	Operating temperature	0 °C ... +55 °C
with bus extension	250	Wire connection	CAGE CLAMP®
Max. input process image	1020 words	Cross sections	0.08 mm² ... 2.5 mm² / AWG 28 ... 14
Max. output process image	1020 words	Strip lengths	8 ... 9 mm / 0.33 in
Configuration	via PC	Dimensions (mm) W x H x L	62 x 65 x 100
Program memory	1024 Kbytes		Height from upper-edge of DIN 35 rail
Data memory	1024 Kbytes	Weight	164 g
Non-volatile memory (retain)	32 Kbytes	Storage temperature	-25 °C ... +85 °C
Power supply	24 V DC (-25 % ... +30 %)	Relative air humidity (no condensation)	95 %
Input current typ. at rated load (24 V)	500 mA	Vibration resistance	acc. to IEC 60068-2-6
Efficiency of the power supply (typ.) at nominal load (24 V)	90 %	Shock resistance	acc. to IEC 60068-2-27
Internal current consumption (5 V)	450 mA	Degree of protection	IP20
Total current for I/O modules (5 V)	1700 mA	EMC immunity of interference	acc. to EN 61000-6-2, marine applications
Isolation	500V system/supply	EMC emission of interference	acc. to EN 61000-6-3, marine applications