



MCJQX-13F-KF2C-XXXX



MCJQX-13F-KF4C-XXXX

## Features

- Small size
- High switching power
- High sensitivity

## Specifications

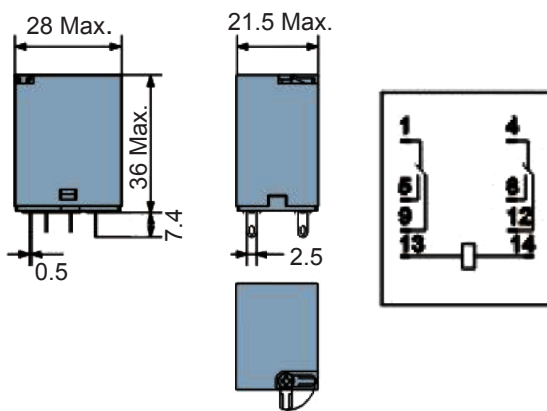
Contact	Contact Form		2 Change	4 Change
	Rated Load	Resistive (AC-1)		10A/250V AC 30V DC
Motor (AC-15)			1/3HP, 120V AC 1/2HP, 240V AC	1/3HP, 240V AC 1/6HP, 240V AC
Operating Power (Resistive)			2500VA 300W	1250VA 150W
Contact Resistance (Initial)			≤50mΩ	
Material			Ag alloy	
Electrical Life			≥ 10 <sup>5</sup> Cycles (1800 Ops/h)	
Mechanical Life			≥ 10 <sup>7</sup> Cycles (18000 Ops/h)	
Operate Voltage (at 25°C)			DC: ≤75% Rated Voltage, AC: ≤80% Rated Voltage	
Release Voltage (at 25°C)			DC: ≥10% Rated Voltage, AC: ≥30% Rated Voltage	
Max. Allowed voltage (at 25°C)			110% Rated Voltage	
Insulation Resistance			≥500MΩ (500V DC)	
Coil Power Consumption	DC (W)		0.9	
	AC (VA)		1.2	
Operate Time			≤20ms	
Release Time			≤20ms	
Dielectric Strength	Between Contacts		1,000V AC/1 min (Leakage Current 1mA)	
	Between Contacts (different pole)		1,000V AC/1 min (Leakage Current 1mA)	
	Between contact and coil		2,000V AC/1 min (Leakage Current 1mA)	
Ambient Temperature			-55°C to +70°C	
Humidity			35% RH to 85% RH	
Atmospheric Pressure			86KPa to 106KPa	
Shock Resistance			10G (Half a wave of pulses of sine: 11ms)	
Vibration Resistance			10~55Hz Dual amplitude: 1mm	
Install Model			Plug-in Terminals/PCB Terminal	
Weight			35g	

## Coil Type (25°C)

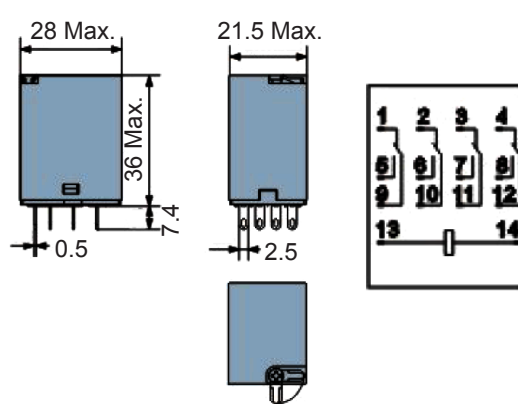
V DC Rated Voltage	24	-	-
$\Omega$ ( $\pm 10\%$ ) Coil Resistance	630	-	-
V AC Rated Voltage	24	110	230
$\Omega$ ( $\pm 10\%$ ) Coil Resistance	160	3750	15000

## Dimension Bottom View

MCJQX-13F-KF2C-XXXX



MCJQX-13F-KF4C-XXXX



Dimensions : Millimetres

## Part Number Table

Description	Part Number
Relay, 2C, 10A, 24V DC with Lock Test Button	MCJQX-13F-KF2C-24VDC
Relay, 2C, 10A, 24V DC with Lock Test Button	MCJQX-13F-KF2C-24VAC
Relay, 2C, 10A, 110V AC, with Lock Test Button	MCJQX-13F-KF2C-110VAC
Relay, 2C, 10A, 230V AC, with Lock Test Button	MCJQX-13F-KF2C-230VAC
Relay, 4C, 5A, 24V DC, with Lock Test Button	MCJQX-13F-KF4C-24VDC
Relay, 4C, 5A, 24V AC, with Lock Test Button	MCJQX-13F-KF4C-24VAC
Relay, 4C, 5A, 110V AC, with Lock Test Button	MCJQX-13F-KF4C-110VAC
Relay, 4C, 5A, 230V AC, with Lock Test Button	MCJQX-13F-KF4C-230VAC

**Important Notice** : This data sheet and its contents (the "Information") belong to the members of the Premier Farnell group of companies (the "Group") or are licensed to it. No licence is granted for the use of it other than for information purposes in connection with the products to which it relates. No licence of any intellectual property rights is granted. The Information is subject to change without notice and replaces all data sheets previously supplied. The Information supplied is believed to be accurate but the Group assumes no responsibility for its accuracy or completeness, any error in or omission from it or for any use made of it. Users of this data sheet should check for themselves the Information and the suitability of the products for their purpose and not make any assumptions based on information included or omitted. Liability for loss or damage resulting from any reliance on the Information or use of it (including liability resulting from negligence or where the Group was aware of the possibility of such loss or damage arising) is excluded. This will not operate to limit or restrict the Group's liability for death or personal injury resulting from its negligence. Multicomp is the registered trademark of the Group. © Premier Farnell Limited 2016.