

Ball Knobs • DIN 319

24560.0116

Product Description

The DIN 319 ball knobs are jointless and polished.



Material

Bushing

- Brass

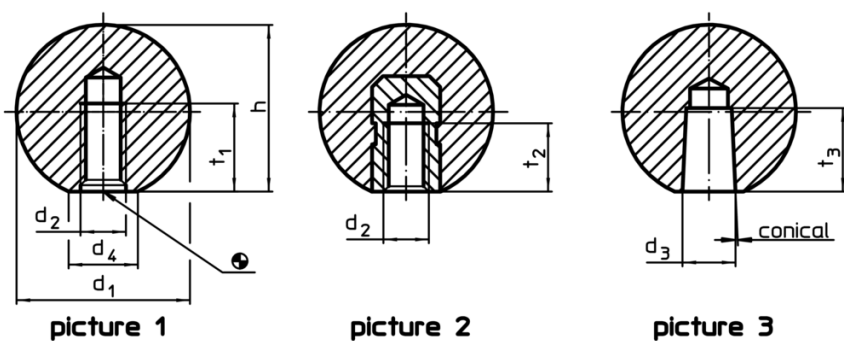
Ball

- DIN 7708 - thermosetting plastic (PF 31), black similar to RAL 9005

Assembly

Assembly instruction for form M: Fitted by lightly tapping with a hammer, holds in position without being cemented. For the counter element a h9-fit is sufficient.

Drawing

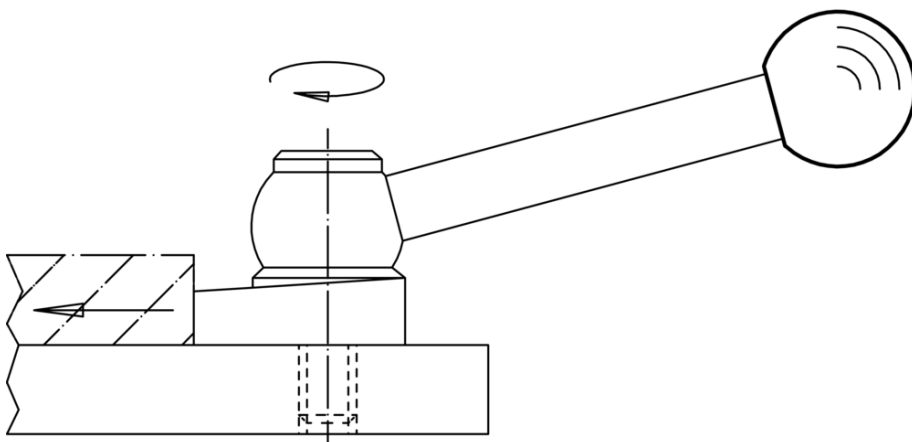


Order information

Dimensions					🌡️	📦	Art. No. ¹⁾
d ₁	d ₂	d ₄ ~ [mm]	h ~	t ₂ min.	max. [°C]	[g]	
with threaded bushing, form E – picture 2, black							
16	M4	8	15	6	110	3.9	24560.0116

¹⁾ bushing from brass

Application example



Compliance

RoHS compliant

Compliant according to Directive 2011/65/EU and Directive 2015/863

Does not contain SVHC substances

No SVHC substances with more than 0.1% w/w contained - SVHC list [REACH] as of 10.06.2022

Does not contain Proposition 65 substances

No Proposition 65 substances included
<https://www.P65Warnings.ca.gov/>

Free from Conflict Minerals

This product does not contain any substances designated as "conflict minerals" such as tantalum, tin, gold or tungsten from the Democratic Republic of Congo or adjacent countries.