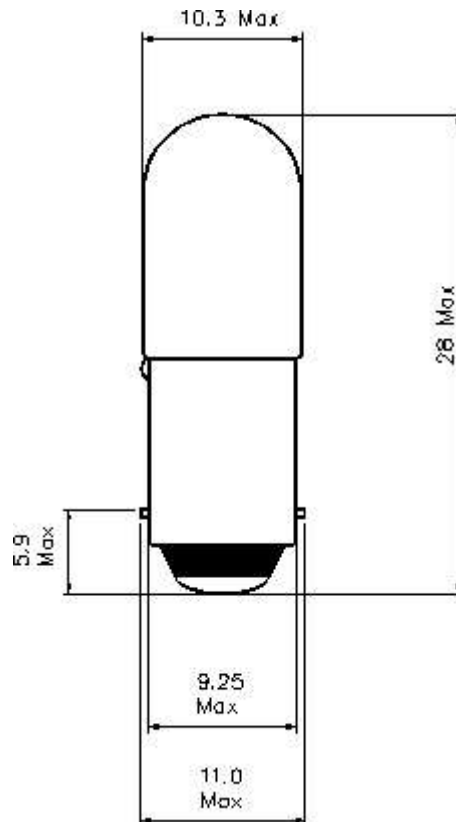


Part Number:

W476

Type	Size	Rating	Description
Incandescent	T10	6.5V 150mA	T-3¼ Miniature Bayonet Lamp



Dimensions in millimetres

TEST VOLTS	CURRENT (mA)			LIGHT OUTPUT (Lm)			LIFE Hours
	Min.	Nom.	Max.	Min.	Nom.	Max.	
6.5	135	150	165	4.5	6.0	7.5	3000

Notes:

- 1 **Base Type** BA9s/13 (BS EN 60061-1)
- 2 **Filament Shape** C-2R
- 3 **LCL** 16mm nominal
- 4 **Bead colour** Green
- 5 **Lamp Marking** CML 6.5V 150mA
- 6 **Environmental** RoHS & REACH SVHC compliant