

IE-BHD-SPE-M8-OT-FP**Weidmüller Interface GmbH & Co. KG**

Klingenbergstraße 26

D-32758 Detmold

Germany

www.weidmueller.com



Single pair Ethernet is a technology that only requires one pair of wires to transmit data and power. The resulting benefits will make SPE the preferred network at the field level and beyond.

Advantages of Single Pair Ethernet

- **Consistent:** Single Pair Ethernet enables uniform Ethernet-based communication from the sensor to the cloud
- **Future-proof:** key technology for Industry 4.0 and IIoT
- **Flexible:** ranges of up to 1000 m and transmission properties of up to 1 Gbps enable use across applications
- **Innovative:** lighter, less space required, and reduced installation effort

General ordering data

Version	PCB, M8 socket housing, IP67, Frontpanel mounting
Order No.	2726020000
Type	IE-BHD-SPE-M8-OT-FP
GTIN (EAN)	4050118810776
Qty.	10 Stück

IE-BHD-SPE-M8-OT-FP

Weidmüller Interface GmbH & Co. KG
 Klingenbergstraße 26
 D-32758 Detmold
 Germany

www.weidmueller.com

Technische Daten

Dimensions and weights

Net weight 3 g

Temperatures

Operating temperature -40 °C...85 °C

General Info

Configuration	Frontpanel mounting	UL 94 flammability rating	V-0
Colour	silver	Housing main material	Brass, nickel-plated
Connection thread	M10 x 0.75	Type of mounting	Screw mounting
Protection degree	IP67		

Electrical properties

Insulation strength $\geq 500 \text{ M}\Omega$

General standards

Connector standard IEC 61076-2-104

General information

Protection degree IP67 UL 94 flammability rating V-0

Classifications

ETIM 6.0	EC001031	ETIM 7.0	EC001031
ECLASS 9.0	27-18-27-02	ECLASS 9.1	27-18-27-02
ECLASS 10.0	27-18-27-02	ECLASS 11.0	27-18-27-02

Approvals

ROHS Conform

Downloads

Engineering Data [STEP](#)

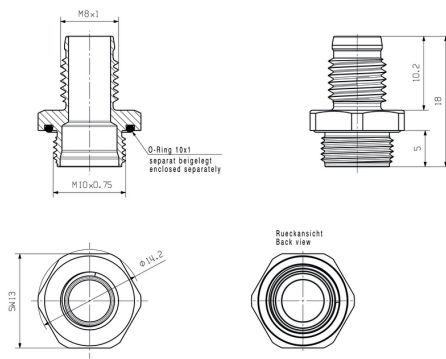
IE-BHD-SPE-M8-OT-FP

Weidmüller Interface GmbH & Co. KG
Klingenbergstraße 26
D-32758 Detmold
Germany

Zeichnungen

www.weidmueller.com

Dimensioned drawing



IE-BHD-SPE-M8-OT-FP

Weidmüller Interface GmbH & Co. KG
Klingenbergstraße 26
D-32758 Detmold
Germany

www.weidmueller.com

Accessories

housings



Single pair Ethernet is a technology that only requires one pair of wires to transmit data and power. The resulting benefits will make SPE the preferred network at the field level and beyond.

Advantages of Single Pair Ethernet

- Consistent: Single Pair Ethernet enables uniform Ethernet-based communication from the sensor to the cloud
- Future-proof: key technology for Industry 4.0 and IIoT
- Flexible: ranges of up to 1000 m and transmission properties of up to 1 Gbps enable use across applications
- Innovative: lighter, less space required, and reduced installation effort

General ordering data

Type	IE-BHD-SPE-FP-CN-M10X0. ...	Version
Order No.	2739640000	Locknut, PCB, M8 socket housing
GTIN (EAN)	4050118829617	
Qty.	10 Stück	