

EXTERNAL DESKTOP POWER SUPPLY 12VDC 60WATT



STONTRONICS: SW3783E

Features:

- Universal Input
- IEC-320-C14 Input Connector
- 3 Year Warranty
- Efficiency Level VI
- Safety approved to: UL,CUL,FCC,GS,CE,RCM



Description:

The Stontronics Range of 60 watt AC/DC switch mode power supplies provide 60 watts of continuous output power in a high quality compact enclosure suitable for many general power applications.

Specification	
Part Number	SW3783E
Input Voltage Range	100 → 240 Vac
Input Frequency Range	50 → 60Hz
Input Connector	IEC 320-C14
Input Current Rated	1.5A
Inrush Current	150A Cool start 230Vac
Efficiency	88% Min
Input Power (Output: No Load)	0.21W
Output Voltage Rating	12VDC
Output Current Range	5A
Output Min Current	0A
Output Connection Type	2.1 x 5.5 x 12 mm Centre Positive - Straight angle
Line and Load Regulation	+/-5%
Over Load Protection	Auto-recovery
Short Circuit Protection	The power supply shall have self-limiting protection. This protection can withstand a continuous output short without damaged, and auto-recovery operation after the short is removed.
Ripple Voltage	150 mV (p-p)
Hi-Pot	1500Vac or 2121VDC 10mA 1 min
Safety Approved	UL/CUL,TUV-GS,CCC,BSMI,PSB,IS13252(Part 1)PSE,KC-MARK
EMI Standard	FCC Part 15, Class B RoHS
Operating Temperature Range	+ 0° ~ +40°C
Storage Temperature	- 40°C ~ +80°C
Operating Humidity	20-98%
Storage Humidity	20-98%
Dimensions	118mm*51.4mm*34mm
Product Weight	275g
Regulator Type	Switched Mode Power Supply

General Note

TT Electronics reserves the right to make changes in product specification without notice or liability. All information is subject to TT Electronics' own data and is considered accurate at time of going to print.

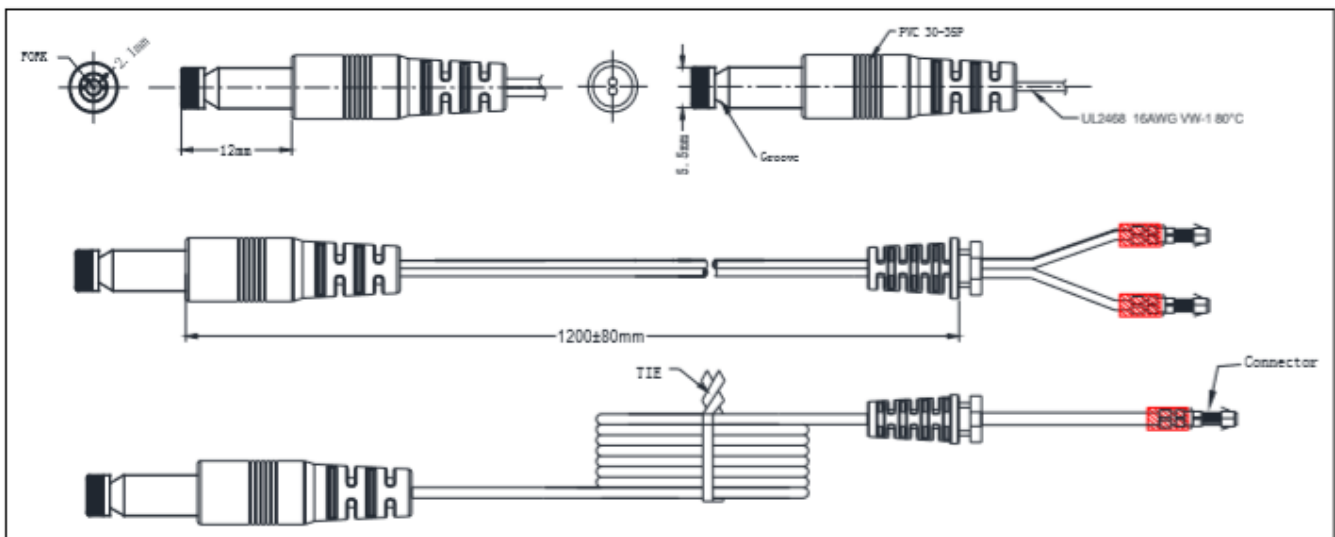
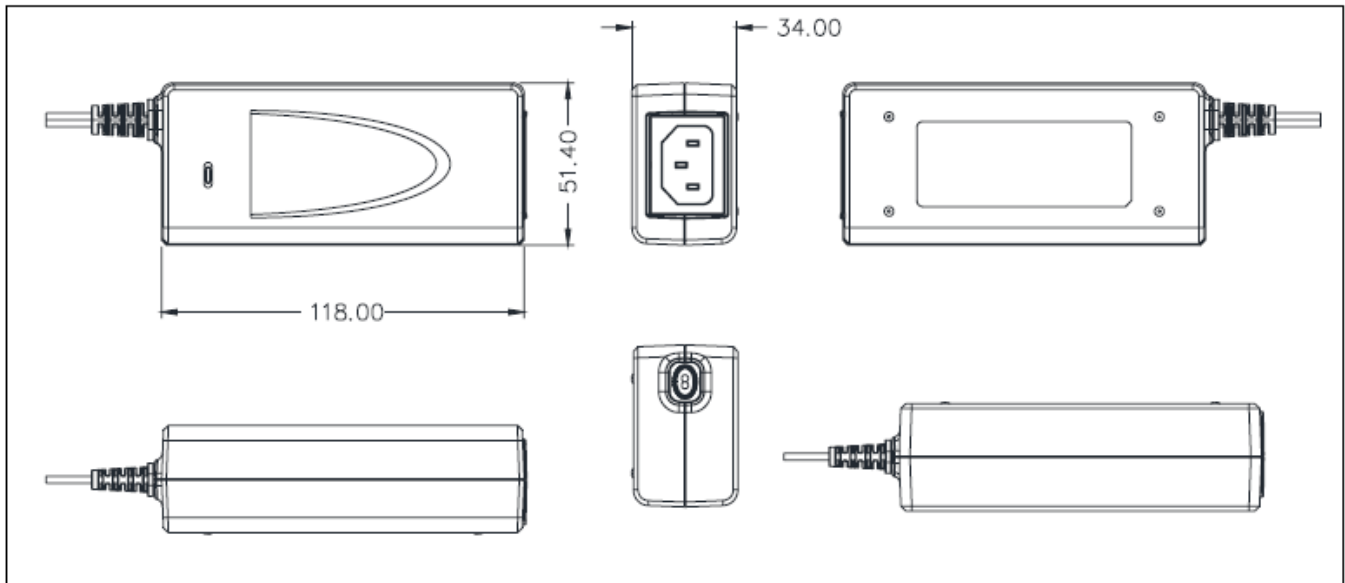
STONTRONICS

TT Electronics IoT Solutions Ltd
Tofts Farm East, Brenda Road, Hartlepool, TS25 2BQ, UK
t: +44 (0) 1429 852 500

EXTERNAL DESKTOP POWER SUPPLY 12VDC 60WATT STONTRONICS: SW3783E



Diagrams



General Note
TT Electronics reserves the right to make changes in product specification without notice or liability. All information is subject to TT Electronics' own data and is considered accurate at time of going to print.