



NVENT CADDY SPEED LINK SLK WITH THREADED STUD END, 2 MM WIRE, 16.4' LENGTH

CATALOG NUMBER

SLK2L5SEM8



CERTIFICATIONS



FEATURES

Complete system includes wire, locking device and pre-assembled threaded stud end fitting

Attaches to structures with threaded anchors or devices with threaded hole

Connects directly to threaded devices in trapeze assemblies, light fixtures, HVAC assemblies or signage

PRODUCT ATTRIBUTES

Article Number: 196563

Material: Steel;Polypropylene;Zinc Alloy

Finish: Electrogalvanized

Static Load Safety Factor: 5:1

Complies With: SMACNA HVAC-DCS

Wire Rope Diameter: 2 mm

Wire Rope Length: 5 m

Rod Size: M8

Screw Length: 45 mm

Height: 55 mm

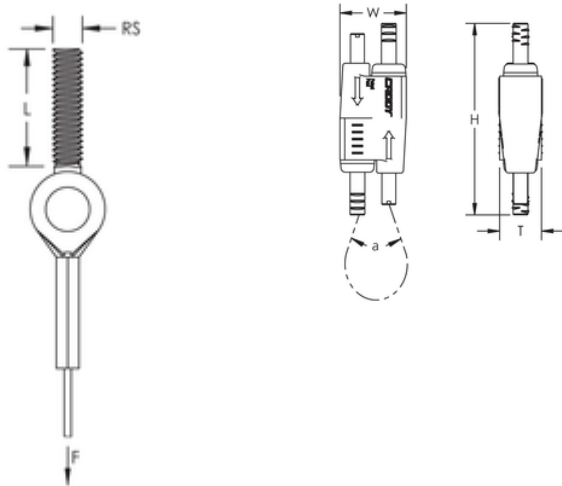
Width: 19 mm

Thickness: 12.50 mm

Angle: 90° Max

Static Load: 440 N

DIAGRAMS



WARNING

nVent products shall be installed and used only as indicated in nVent's product instruction sheets and training materials. Instruction sheets are available at www.nvent.com and from your nVent customer service representative. Improper installation, misuse, misapplication or other failure to completely follow nVent's instructions and warnings may cause product malfunction, property damage, serious bodily injury and death and/or void your warranty.

Noord-Amerika

+1.800.753.9221

Optie 1 - de Zorg van de Klant

Optie 2 - Technische Steun

Europa

Nederland:

+31 800-0200135

Frankrijk:

+33 800 901 793

Europa

Duitsland:

800 1890272

Andere Landen:

+31 13 5835404

APAC

Shanghai:

+ 86 21 2412 1618/19

Sydney:

+61 2 9751 8500



Onze krachtige portefeuille van merken:

nVent.com

CADDY ERICO HOFFMAN RAYCHEM SCHROFF TRACER

© nVent 2022. Alle nVent tekens en emblemen worden bezeten of door de nVent Diensten GmbH of zijn filialen vergunning gegeven. Alle andere handelsmerken zijn het bezit van hun respectieve eigenaars.

nVent reserves het recht specificaties zonder bericht te veranderen.