

324075 ✓ ACTIVE



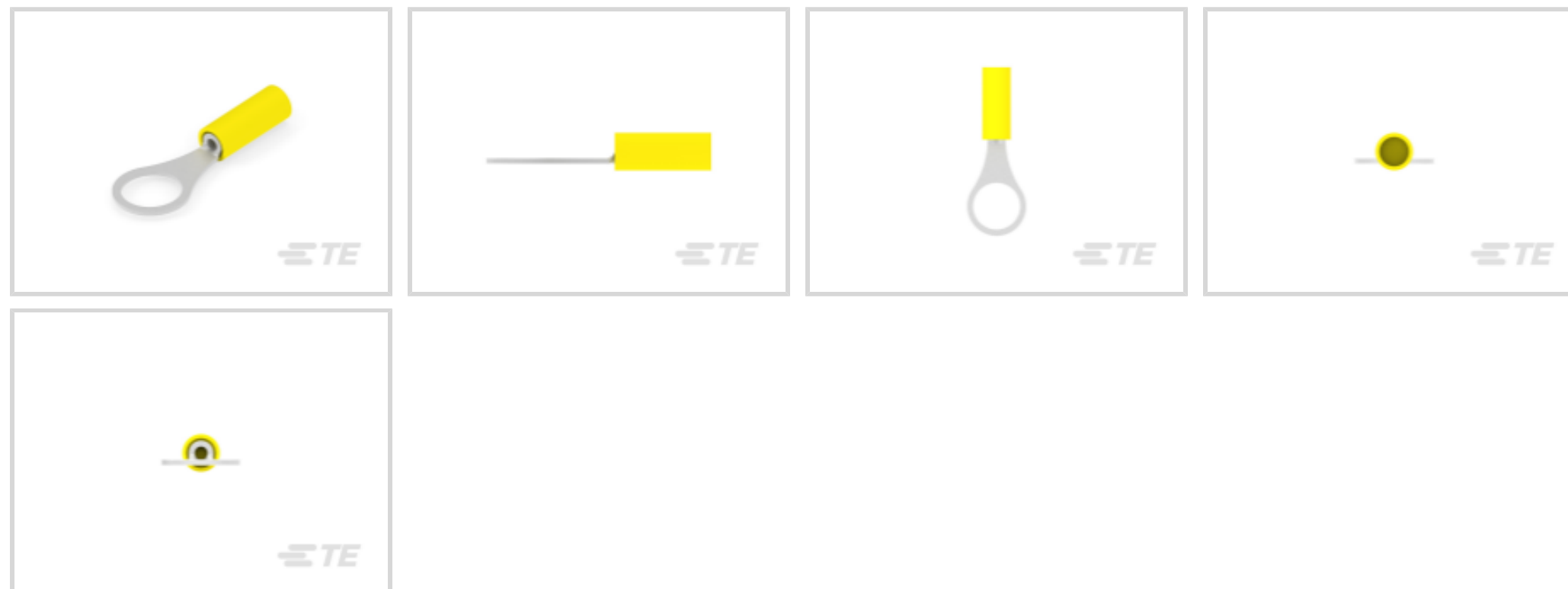
PIDG

TE Internal #: 324075

PIDG, Ring Terminals & Spade Terminals, Ring Tongue, 26 – 22AWG Wire Size, .129 – .326mm² Wire Size, 202 – 810CMA Wire Size, #10

[View on TE.com >](#)

Terminals & Splices > Ring Terminals & Spade Terminals > PIDG RING TONGUE TERMINALS



Terminal & Splice Type: **Ring Tongue**

Wire Size: **202 – 810 CMA**

Ring & Spade Stud Size: **#10**

[All PIDG RING TONGUE TERMINALS \(422\)](#)

Features

Product Type Features

Shape Description	RING-041
Ring & Spade Stud Size	#10
Ring & Spade Barrel Type	Closed Barrel
Sealable	No
Insulated	Yes
Ring & Spade Wire/Cable Type	Regular Wire
Support Style	Insulation Support

Configuration Features

Number of Holes	1
Terminal Angle	Straight

Electrical Characteristics

Voltage (Max)	300 V
---------------	-------

Body Features

Inspection Slot	No
-----------------	----

Weight per Piece	.287 g
------------------	--------

Ring & Spade Plating Material	Copper, Tin
-------------------------------	-------------

Contact Features

Military Part Class	Class II
---------------------	----------

Terminal & Splice Type	Ring Tongue
------------------------	-------------

Ring & Spade Terminal Orientation	Straight
-----------------------------------	----------

Mechanical Attachment

Wire Insulation Support	With
-------------------------	------

Dimensions

Wire Size	202 – 810 CMA
-----------	---------------

Stud Diameter	5 mm[.197 in]
---------------	---------------

Tongue Thickness	.79 mm[.031 in]
------------------	-----------------

Ring & Spade Overall Length	18.8 mm[.74 in]
-----------------------------	-----------------

Ring & Spade Wire Insulation Diameter (Max)	2.08 mm[.082 in]
---	------------------

Ring & Spade Wire Insulation Diameter	1.27 – 2.08 mm[.05 – .082 in]
---------------------------------------	-------------------------------

Usage Conditions

Insulation Requirement	Partially Insulated
------------------------	---------------------

Operating Temperature Range	105 °C[221 °F]
-----------------------------	----------------

Operation/Application

Heavy Duty	No
------------	----

Industry Standards

Government Qualified	Yes
----------------------	-----

Packaging Features

Packaging Quantity	1000
--------------------	------

Ring & Spade Packaging Method	Loose Piece
-------------------------------	-------------

Product Compliance

[For compliance documentation, visit the product page on TE.com>](#)

EU RoHS Directive 2011/65/EU	Compliant
------------------------------	-----------

EU ELV Directive 2000/53/EC	Compliant
-----------------------------	-----------

China RoHS 2 Directive MIIT Order No 32, 2016	No Restricted Materials Above Threshold
---	---

EU REACH Regulation (EC) No. 1907/2006	
--	--



Current ECHA Candidate List: JAN 2021
(211)
Candidate List Declared Against: JAN 2021
(211)
Does not contain REACH SVHC

Halogen Content
Low Halogen - Br, Cl, F, I < 900 ppm per homogenous material. Also BFR/CFR/PVC Free

Solder Process Capability
Not applicable for solder process capability

Product Compliance Disclaimer

This information is provided based on reasonable inquiry of our suppliers and represents our current actual knowledge based on the information they provided. This information is subject to change. The part numbers that TE has identified as EU RoHS compliant have a maximum concentration of 0.1% by weight in homogenous materials for lead, hexavalent chromium, mercury, PBB, PBDE, DBP, BBP, DEHP, DIBP, and 0.01% for cadmium, or qualify for an exemption to these limits as defined in the Annexes of Directive 2011/65/EU (RoHS2). Finished electrical and electronic equipment products will be CE marked as required by Directive 2011/65/EU. Components may not be CE marked. Additionally, the part numbers that TE has identified as EU ELV compliant have a maximum concentration of 0.1% by weight in homogenous materials for lead, hexavalent chromium, and mercury, and 0.01% for cadmium, or qualify for an exemption to these limits as defined in the Annexes of Directive 2000/53/EC (ELV). Regarding the REACH Regulation, the information TE provides on SVHC in articles for this part number is based on the latest European Chemicals Agency (ECHA) 'Guidance on requirements for substances in articles' posted at this URL: <https://echa.europa.eu/guidance-documents/guidance-on-reach>

Compatible Parts



REPRESENTATION ONLY

TE Part # 46121
DAHT PG PIDG 26-22 ASSY




TE Part # 59275
T-HEAD PIDG PG SH 26-20 ASSY

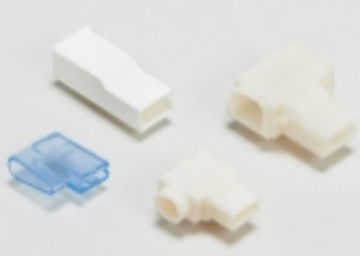


TE Part # 69344
PIDG 26-22 DIE SET

Also in the Series | PIDG



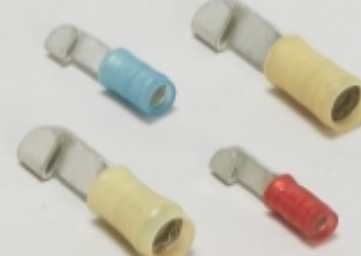
Compression Connectors(17)



Crimp Terminal Housings(1)



Crimp Wire Pins, Tabs & Ferrules(41)



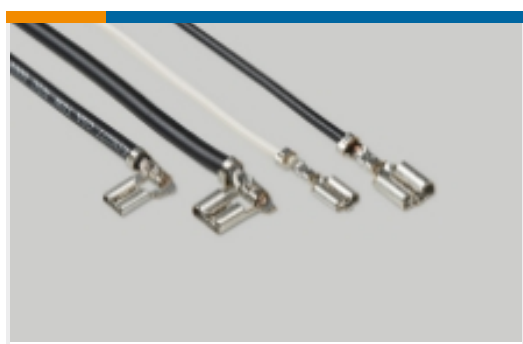
Knife Disconnects(11)



PCB Terminals(9)



Portable Crimp Tools(2)



Quick Disconnects(53)



Ring Terminals & Spade Terminals(862)



Special Purpose Terminals(1)



Splices(48)

Customers Also Bought



TE Part #1375820-7
Receptacle Housing: 2.54mm, 1 Row, CST-100 II



TE Part #205560-2
AMPLIMITE,ASY,PLUG,STD,109,3



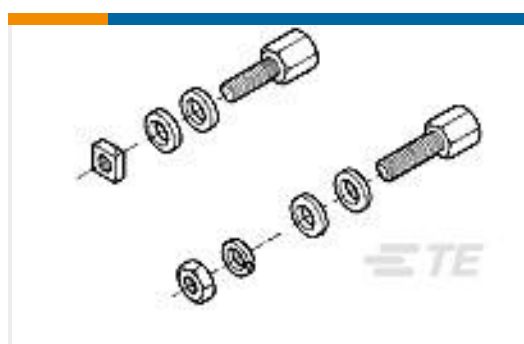
TE Part #205559-2
RECEPT ASSY,25 POSN,AMPLIMITE



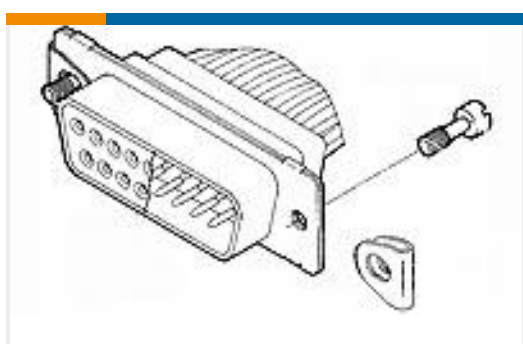
TE Part #205556-2
AMPLIMITE,ASY,PLUG,STD,109,1



TE Part #1445336-3
LOOSE PC CONTACT 30 AU PLATED



TE Part #212447-1
SCREW RTNR KIT,AMPLIMITE



TE Part #211883-5
SCREW RETAINER KIT,AMPLIMITE



TE Part #YDTS20W11-35SNV001
D38999: Square Flange, 11-35 insert



TE Part #109858-000
D-181-1222-90/9



TE Part #2-1546306-0
20P.374" DR BARRIER STRIP

Documents



Product Drawings

TERMINAL,PIDG R 26-22 10

English

CAD Files

3D PDF

3D

3D PDF

English

Customer View Model

[ENG_CVM_324075_G.2d_dxf.zip](#)

English

Customer View Model

[ENG_CVM_324075_G.3d_igs.zip](#)

English

Customer View Model

[ENG_CVM_324075_G.3d_stp.zip](#)

English

Customer View Model

[ENG_CVM_CVM_324075_F.2d_dxf.zip](#)

English

Customer View Model

[ENG_CVM_CVM_324075_F.3d_igs.zip](#)

English

Customer View Model

[ENG_CVM_CVM_324075_F.3d_stp.zip](#)

English

By downloading the CAD file I accept and agree to the [Terms and Conditions](#) of use.

Datasheets & Catalog Pages

PIDG TERMINALS & SPLICES Quick Reference Guide

English

Standard Terminals & Splices

English

PIDG Terminals and Splices Quick Reference Guide

English

Product Specifications

Application Specification

English

Product Environmental Compliance

TE Material Declaration

English

Agency Approvals



CSA Certificate

English