

5747236-6 ✓ ACTIVE

AMPLIMITE | AMPLIMITE HD-20

TE Internal #: 5747236-6

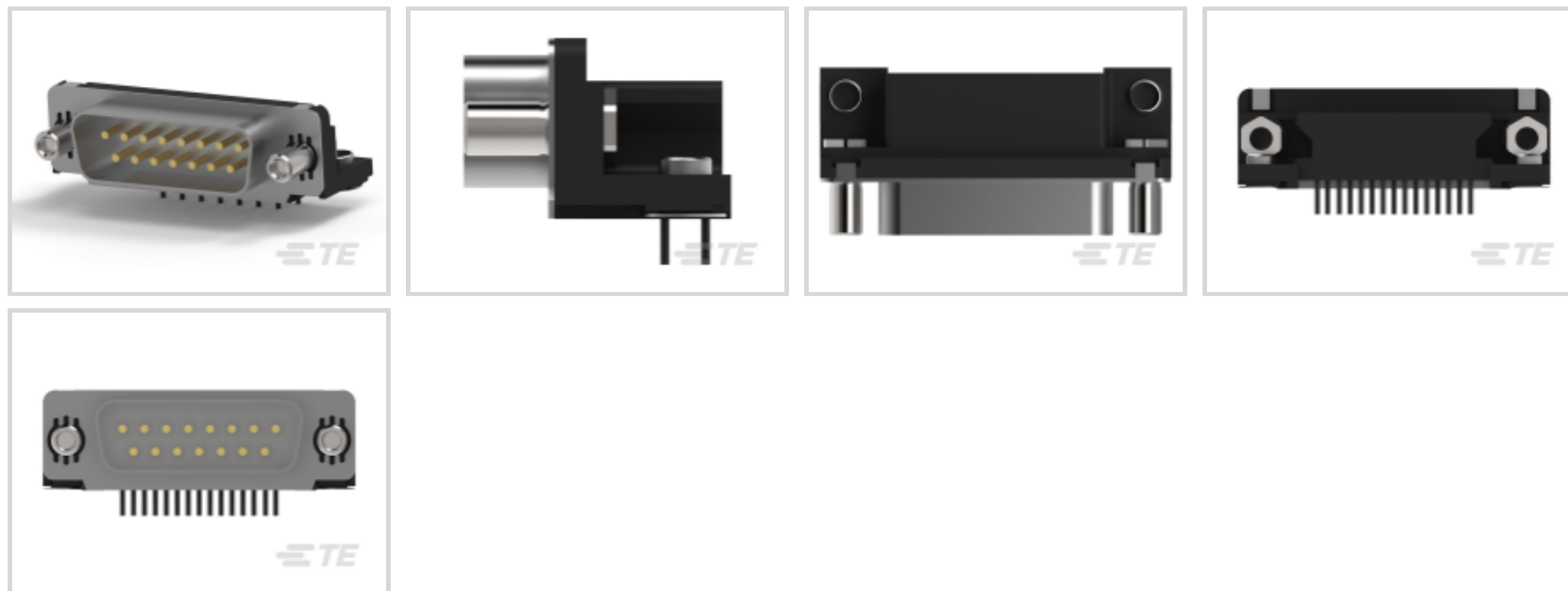
AMPLIMITE HD-20, PCB D-Sub Connectors, Plug, Board-to-Board,  
15 Position, 2.74mm [.108in] Centerline, 2 Row, Row-to-Row  
Spacing 2.84 mm [.112 in]

[View on TE.com >](#)



Connectors > D-Shaped Connectors > D-Sub Connectors > PCB D-Sub Connectors >

D-Sub Plug Assembly: Standard, Right Angle, Shell Size 2, 2.74mm



Connector & Housing Type: **Plug**

Connector System: **Board-to-Board**

Number of Positions: **15**

Centerline (Pitch): **2.74 mm [.108 in]**

Number of Rows: **2**

[All D-Sub Plug Assembly: Standard, Right Angle, Shell Size 2, 2.74mm \(25\)](#)

## Features

### Product Type Features

Grounding Indents	With
Grounding Straps	With
Footprint	8.08 mm[.318 in]
Shell Type	Front Metal Shell
Connector & Housing Type	Plug
Connector System	Board-to-Board
D-Sub Shell Size	2
Sealable	No
Connector & Contact Terminates To	Printed Circuit Board
Product Type	Connector

### Configuration Features

Number of Positions	15
---------------------	----



Number of Rows	2
PCB Mount Orientation	Right Angle
Preloaded	Yes

### Body Features

Eyelet Material	Brass
Eyelet Plating Material	Tin
Female Screwlock Material	Zinc
Plastic	No
Insert Material	Zinc
Female Screwlock Plating Material	Clear Chromate
Connector Profile	Standard
Shell Plating Material	Tin over Copper
Shell Material	Carbon Steel
Post Size	.66 mm[.026 in]

### Contact Features

Contact Mating Area Plating Material	Gold
Contact Underplating Material	Nickel
PCB Contact Termination Area Plating Material	Tin
Contact Base Material	Brass
Contact Shape & Form	Round
Contact Current Rating (Max)	6 A
	30 $\mu$ m

### Termination Features

Grounding Clips	Without
Termination Method to Printed Circuit Board	Through Hole - Solder
Termination Post Length	3.18 mm[.125 in]

### Mechanical Attachment

Panel Mount Feature	Without
PCB Mount Retention	With
PCB Mount Retention Type	Mounting Hole
Mating Retention	With
Mating Retention Type	Female Screwlocks, Fixed



Connector Mounting Type	Board Mount
-------------------------	-------------

Mounting Hole Diameter	3.05 mm[.12 in]
------------------------	-----------------

### Housing Features

Centerline (Pitch)	2.74 mm[.108 in]
--------------------	------------------

Housing Material	Nylon, Polyester
------------------	------------------

Housing Color	Black
---------------	-------

### Dimensions

Row-to-Row Spacing	2.84 mm[.112 in]
--------------------	------------------

PCB Thickness (Recommended)	1.57 mm[.062 in]
-----------------------------	------------------

### Usage Conditions

Operating Temperature Range	-55 – 105 °C[-67 – 221 °F]
-----------------------------	----------------------------

### Operation/Application

Circuit Application	Signal
---------------------	--------

### Industry Standards

UL Flammability Rating	UL 94V-0
------------------------	----------

### Packaging Features

Packaging Method	Tray
------------------	------

Packaging Quantity	104
--------------------	-----

### Other

Comment	Plugs are preloaded with size 20 DF posted pin contacts
---------	---

## Product Compliance

[For compliance documentation, visit the product page on TE.com>](#)

EU RoHS Directive 2011/65/EU	Compliant
------------------------------	-----------

EU ELV Directive 2000/53/EC	Compliant
-----------------------------	-----------

China RoHS 2 Directive MIIT Order No 32, 2016	No Restricted Materials Above Threshold
---	---

EU REACH Regulation (EC) No. 1907/2006	Current ECHA Candidate List: JAN 2021 (211) Candidate List Declared Against: JAN 2021 (211) Does not contain REACH SVHC
--	---

Halogen Content	BFR/CFR/PVC Free, but Br/Cl >900 ppm in other sources.
-----------------	--

## Solder Process Capability

## Wave solder capable to 265°C

## Product Compliance Disclaimer

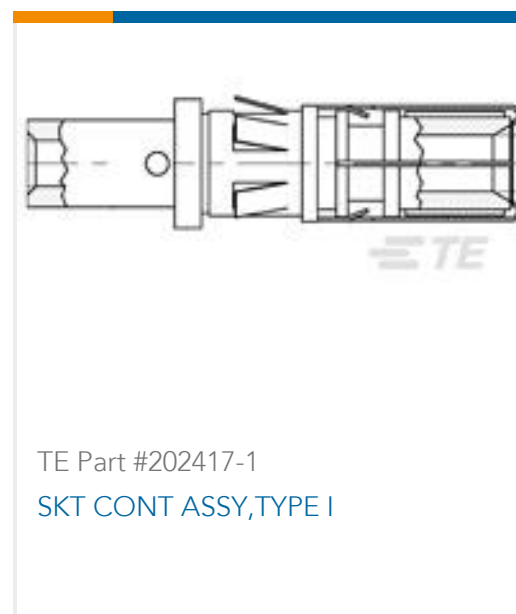
This information is provided based on reasonable inquiry of our suppliers and represents our current actual knowledge based on the information they provided. This information is subject to change. The part numbers that TE has identified as EU RoHS compliant have a maximum concentration of 0.1% by weight in homogenous materials for lead, hexavalent chromium, mercury, PBB, PBDE, DBP, BBP, DEHP, DIBP, and 0.01% for cadmium, or qualify for an exemption to these limits as defined in the Annexes of Directive 2011/65/EU (RoHS2). Finished electrical and electronic equipment products will be CE marked as required by Directive 2011/65/EU. Components may not be CE marked. Additionally, the part numbers that TE has identified as EU ELV compliant have a maximum concentration of 0.1% by weight in homogenous materials for lead, hexavalent chromium, and mercury, and 0.01% for cadmium, or qualify for an exemption to these limits as defined in the Annexes of Directive 2000/53/EC (ELV). Regarding the REACH Regulation, the information TE provides on SVHC in articles for this part number is based on the latest European Chemicals Agency (ECHA) 'Guidance on requirements for substances in articles' posted at this URL: <https://echa.europa.eu/guidance-documents/guidance-on-reach>

## Compatible Parts

Also in the Series | **AMPLIMITE HD-20**

## Customers Also Bought





## Documents

### Product Drawings

#### 15 MSFL PLUG RA 318 (SL,FM)

English

### CAD Files

#### 3D PDF

3D

#### Customer View Model

[ENG\\_CVM\\_CVM\\_5747236-6\\_C\\_c-5747236-6-c.2d\\_dxf.zip](#)

English

#### Customer View Model

[ENG\\_CVM\\_CVM\\_5747236-6\\_C\\_c-5747236-6-c.3d\\_igs.zip](#)

English

#### Customer View Model

[ENG\\_CVM\\_CVM\\_5747236-6\\_C\\_c-5747236-6-c.3d\\_stp.zip](#)

English

By downloading the CAD file I accept and agree to the [Terms and Conditions](#) of use.

### Datasheets & Catalog Pages

#### AMPLIMITE Subminiature D Connectors - Right-Angle Posted Connectors

English

### Product Specifications

#### Application Specification

English

### Product Environmental Compliance

#### Product Compliance



English

[Product Compliance](#)

English

---

[Instruction Sheets](#)

[Instruction Sheet \(U.S.\)](#)

English

---

[Agency Approvals](#)

[UL Report](#)

English