

TOLERANCE GENERALE: ± 0.3
 GENERAL TOLERANCE: ± .01



SPECIFICATIONS

• CONSTRUCTION

Sealed pushbutton switch for panel mounting.
 Solder lugs terminals.

• MATERIALS

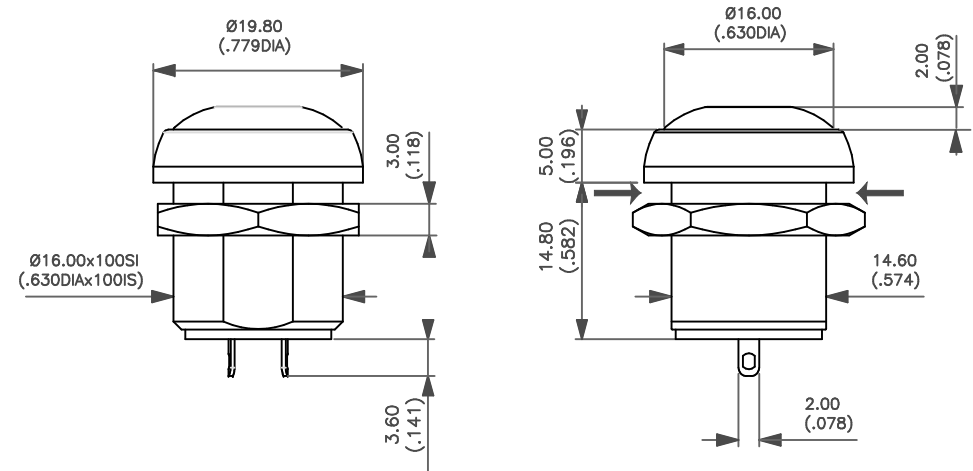
Case : Pa6T UL94V0
 Plunger : Polyamide 6/6
 Bushing/Collar : Polyamide 6/6
 Contacts : Silver, gold plated

• ELECTRICAL CHARACTERISTICS

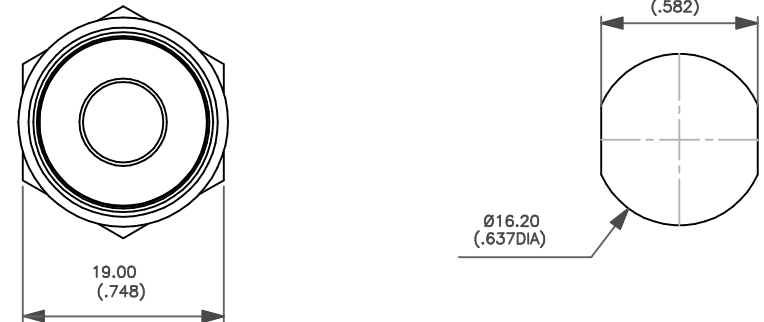
Electrical function : Normally open (NO)
 Maximum ratings : 200mA 48VDC
 Electrical life : 500 000 cycles minimum
 Contact resistance : 100 milliohms Max
 Insulation resistance: 1 Gigaohms min - 500 VDC
 Dielectric strength : 1500 VAC rms 50Hz between terminals
 Mechanical life : 1.000.000 cycles

• MECHANICAL AND ENVIRONMENTAL CHARACTERISTICS

Degree of protection : IP67 according to IEC 529
 Temperature range : -40°C to +85°C



Epaisseur de panneau : 9.00 (.354) Max.
 Panel thickness: 9.00 (.354) Max.



↓ Méplat
 Flat

Replace the first blank digit with the following color code

Code	1	2	3	4	5	6	7/1	8	9
Plunger Colour	Blue	Black	Green	Grey	Yellow	Red	White	Bright Chrome	Orange

					MATERIAL: /	 APEM Unité INTERRUPTEURS 55, av. E.HERRIOT BP 1 82303 CAUSSADE CEDEX TEL.05.63.93.14.98 - Télécopie.05.63.93.19.03	DRAWN: J. Gauzin
					TREATMENT: /		DATE : 15/02/2010
					FINISH: /		CHECKED: D.Sire
					Scale: 2		Reference: DIR034S
							Code Nbr. /
Issue Modifications Date Name						ROUND PUSHBUTTON SWITCH IRR3S4-2	