

TECHNICAL SPECIFICATIONS

D-Sub Hood:

Material: Zinc, Nickel Plated
 Operating Temperature: -40°C to +120°C
 Cable Entry: Top Entry
 Thumbscrews: UNC 4-40 (Standard)
 Cable O.D: Up to 11,5mm

D-Sub Screw Connector:

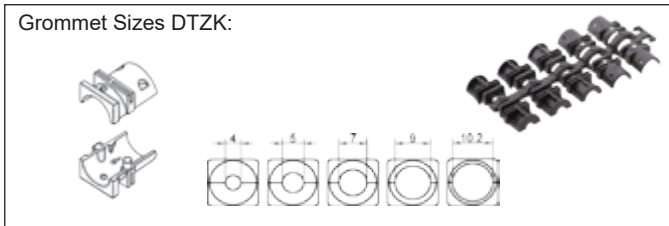
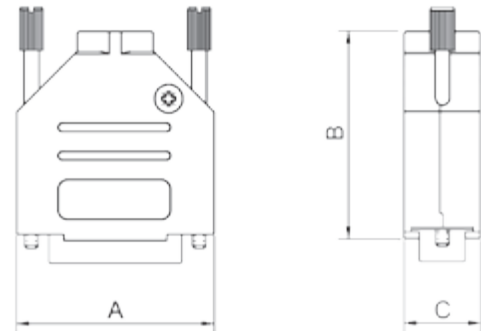
Insulator: Glass filled TP, UL94 V-0
 Shell: Steel, Tin Plated
 Contact pins: Machined Brass pins
 15µ" Gold plated over Ni.
 AWG Wire Size: AWG 18
 Contact Plating: Gold flash over Nickel
 Operating Temperature: -55°C to +85°C
 Withstanding voltage: >1000V Rms to 50 Hz
 for 1 minute
 Current Rating: 7.5A
 Insulator resistance: >5000MΩ min.

Features:

- Available in sizes 9-15-25
- 360° EMI Shielding
- Re-openable



...with Connectors from:
Amphenol



Size DTZK	Dim A	Dim B	Dim C
9-way	31,0	39,5	15,0
15-way	39,5	41,5	15,0
25-way	53,5	48,5	15,0

Ordering information:

Screw Connector D-Sub Connector Kits

Size:	P/N - Kitted:	Product Code - MALE Conn. Kit
9-way	6355-5024-01	DTZK09+L717SDE09PST
15-way	6355-5024-02	DTZK15+L717SDA15PST
25-way	6355-5024-03	DTZK25+L717SDB25PST

Size:	P/N - Kitted:	Product Code - FEMALE Conn. Kit
9-way	6355-5024-11	DTZK09+L77SDE09SST
15-way	6355-5024-12	DTZK15+L77SDA15SST
25-way	6355-5024-13	DTZK25+L77SDB25SST



Encitech AB
 Rörkullsvägen 4
 SE-302 41 HALMSTAD, Sweden

Tel.: +46-(0)35-15 13 90
 Fax: +46-(0)35-15 13 99

www.encitech.com