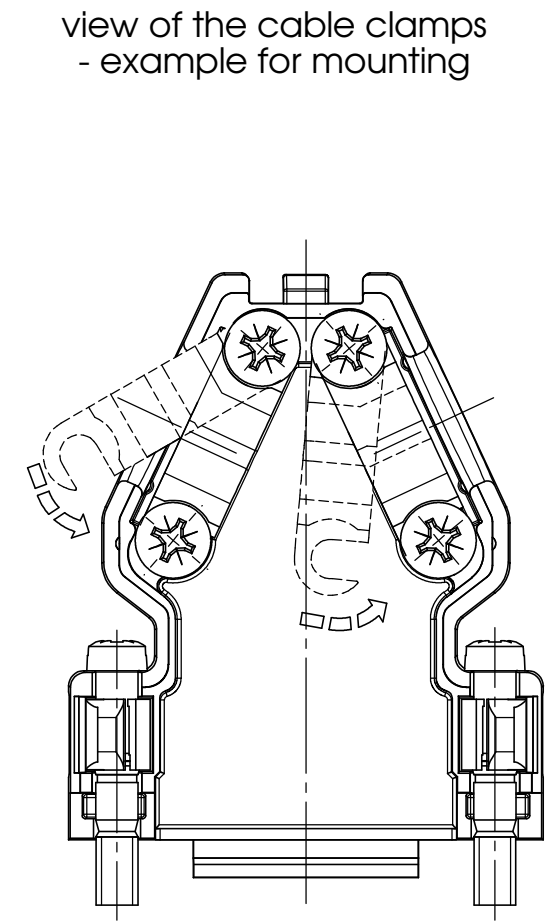
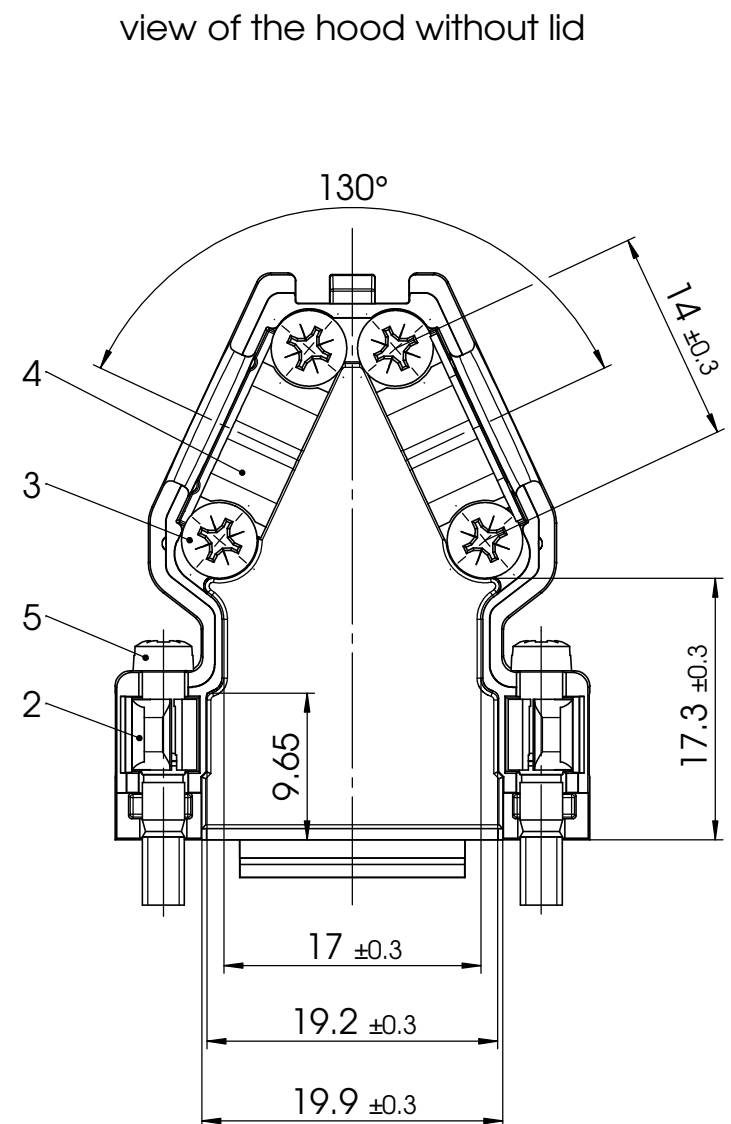
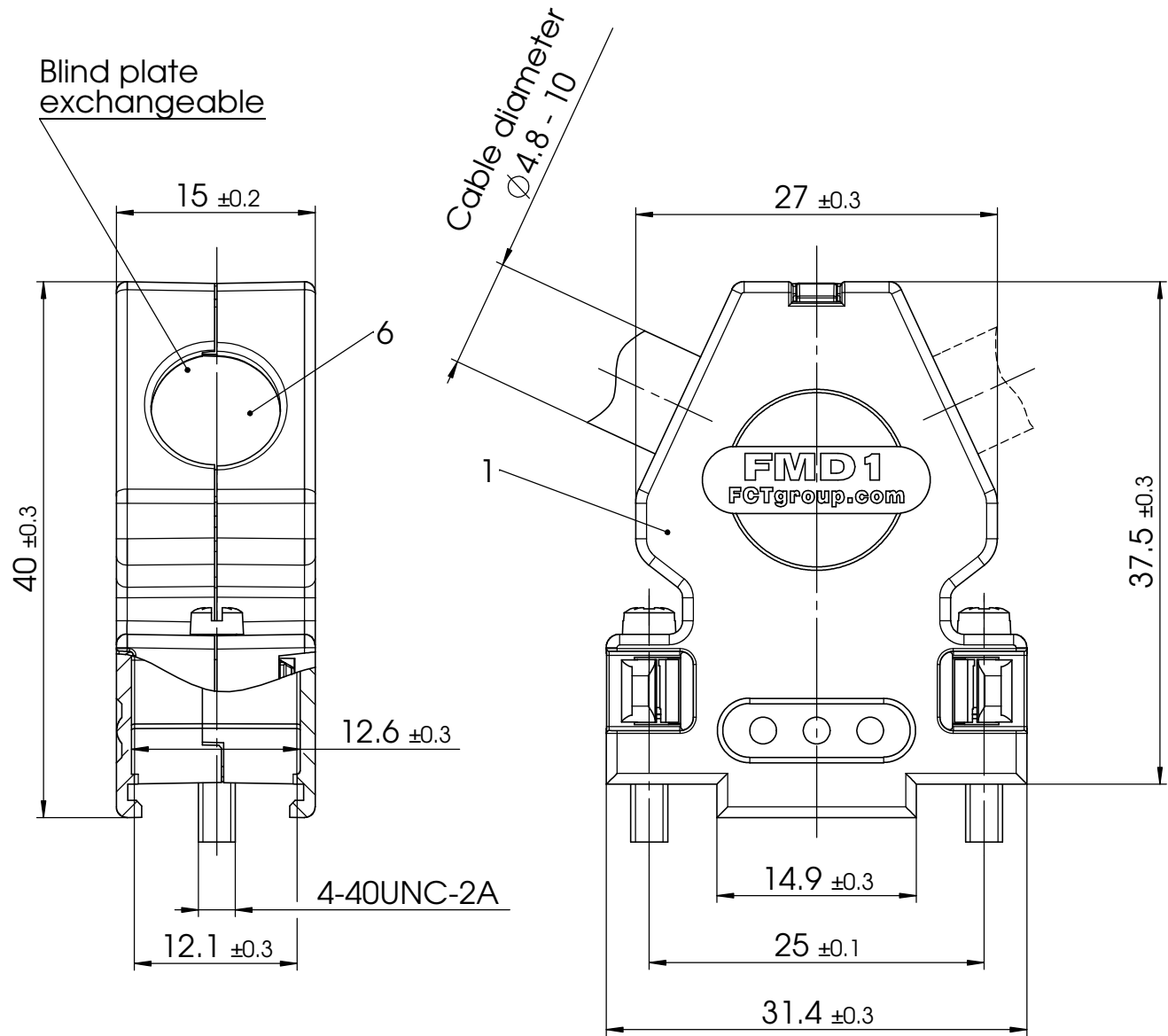


COMMENT:
 ALL RIGHTS ARE RESERVED BY US FOR THIS DRAWING. WITHOUT OUR PRIOR CONSENT,
 IT MAY NEITHER BE DUPLICATED NOR MADE AVAILABLE TO A THIRD PARTY.
 AND IT ALSO MAY NOT BE IMPROPERLY USED BY THE RECEIVER, OR A THIRD PARTY.



Metal hood with two cable outlets.
 Alternative on one side closed cable outlet, with Blind plate.

max. torque are 40 Ncm
 Hood is snapped together
 Part-No. 6 is not mounted

No.	St.	Part	Type	Description/Material	Surface plating/Colour/Class
6	1	Blind plate	Stainless steel		blank
5	2	Locking screw	FVS1/5-K1163 4-40 / Steel		nickel plated
4	2	Cable clamp	Steel		tin plated
3	4	Screw	Case hardened steel		zinc plated
2	2	Catch spring	Polyester		green
1	1	Hood	FMD1 / Zinc die-cast		nickel plated

		Measurement without tolerance occ. to ISO 2768-m		SCALE	TITLE	
				2:1	Metal Hood	
		DRAWN		NAME / DATE		
		CHECKED		01-12-2011		
				05-07-2012		
		fctgroup.com		DWG.NO.		REV.
				FMD1		1
1	REV.	DATE	CH.-NO.	ORIGINAL: DIN A3-DRAWING AS A FILE	REPLACEMENT FOR:	PAGES 1