



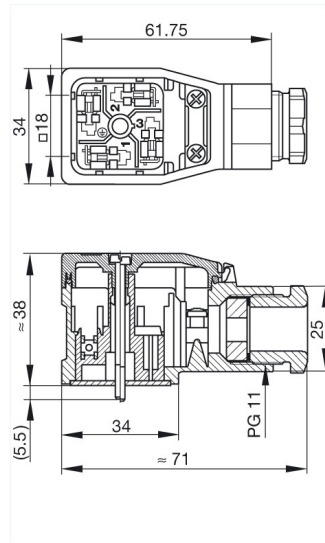
GDME 2011 grau/grey

Industrial Connectors:Rectangular connectors GDM-series:Type A EN 175301-803 (DIN 43650) / ISO 4400:Cable socket with electronic insert

Product description

Description	cable socket with central screw M 3 x 40, strain relief and transparent cover, possibility to fit electronic inserts
Type	GDME 2011 grau/grey
Order No.	933 029-106
Other standard types	black housing, Order no. 933 029-100
Number of contacts	2 + PE
Cable gland	PG 11 (grey)
Conductor size	max. 1.5 mm ²
Standard	DIN EN 175 301-803-A
Housing Color	grau, mit transparentem Deckel
Construction type	A

Drawing



Technical data

Pin dimensions	6.3 mm x 0.8 mm, 4.8 mm x 0.8 mm
Rated voltage	AC 400 V, DC 250 V without inserts
Rated current	16 A
Contact resistance	≤ 4 mOhm
Type of termination	screw
Suitable cables	4.5 mm to 11 mm diameter
Mounting	central nut

Material

Contact surface material	Sn
Contact bearer material	PA
Housing material	PA

Environmental conditions

Protection class (IEC 60529)	IP 65 (gasket necessary)
Pollution severity	3
Temperature range	-40 °C to +85 °C

Inflammability class

Housing	94 V1
Contact bearer	94 V1

Approvals

VDE	VDE
SEV	SEV
GL	GL

Packaging unit

Packaging unit	50 pieces
----------------	-----------

Scope of delivery and accessories

Accessories to order separately	(NBR) flat gasket GDM 3-7, Order no. 730 801-002; (EPDM) flat gasket GDM 3-21, Order no. 731 739-004; knurled screw GDME 3N-7, Order no. 732 280-001
---------------------------------	---