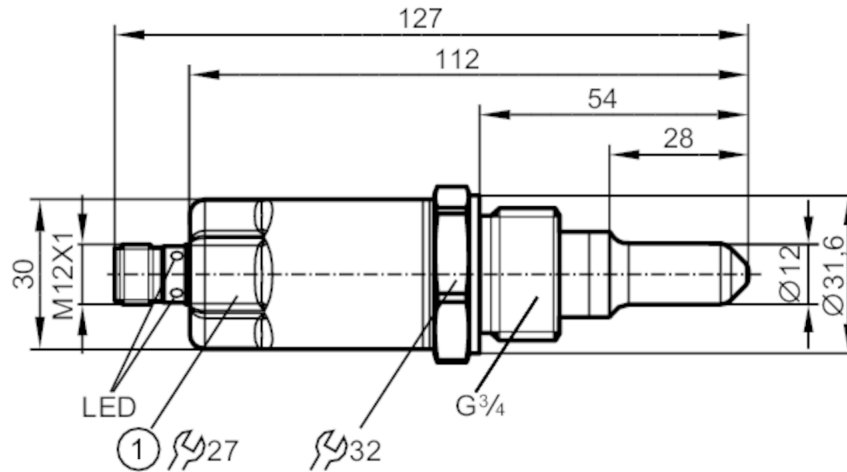


LMT292



Sensor for point level detection

LMBCE-A34E-QPKG-2/US



1 Tightening torque 35 Nm



Product characteristics

Number of inputs and outputs	Number of digital outputs: 2
Factory setting	hydrous media
Process connection	G 3/4 external thread

Application

Special feature	Gold-plated contacts
Installation	suited for installation in existing tuning fork adapters
Media	Liquids
Recommended media	water; hydrous media; oils; oil-based media
Cannot be used for	See the operating instructions, chapter "Function and features".
Probe length [mm]	28
Tank pressure [bar]	-1...40; (applications subject to the German Federal Water Act : -0,5...10 bar)

Oil	
Medium temperature [°C]	-25...100; (applications subject to the German Federal Water Act 0...100 °C)
Medium temperature short time [°C]	-25...150; (1 h; applications subject to the German Federal Water Act : 0...100 °C)
Water	
Medium temperature [°C]	-25...85; (applications subject to the German Federal Water Act : 0...85 °C)
Medium temperature short time [°C]	-25...150; (1 h; applications subject to the German Federal Water Act : 0...100 °C)

Electrical data

Operating voltage [V]	18...30 DC
Current consumption [mA]	< 50
Protection class	III
Reverse polarity protection	yes

LMT292



Sensor for point level detection

LMBCE-A34E-QPKG-2/US


Inputs / outputs	
Number of inputs and outputs	Number of digital outputs: 2
Outputs	
Total number of outputs	2
Output signal	switching signal; IO-Link
Electrical design	PNP
Number of digital outputs	2
Max. voltage drop switching output DC [V]	2.5
Permanent current rating of switching output DC [mA]	100
Short-circuit protection	yes
Type of short-circuit protection	pulsed
Overload protection	yes
Measuring/setting range	
Factory setting	hydrous media
Response times	
Response time [s]	< 0.5
Interfaces	
Communication interface	IO-Link
Transmission type	COM2 (38,4 kBaud)
IO-Link revision	1.1
SDCI standard	IEC 61131-9
IO-Link device ID	0x0001C1
Profiles	Smart Sensor: Process Data Variable; Device Identification
SIO mode	yes
Required master port type	A
Process data analogue	1
Process data binary	2
Min. process cycle time [ms]	2.3
Operating conditions	
Ambient temperature [°C]	-20...85
Note on ambient temperature	Medium temperature 100...150 °C
Storage temperature [°C]	-40...60 °C
Protection	IP 68; IP 69K

LMT292



Sensor for point level detection

LMBCE-A34E-QPKG-2/US

Tests / approvals		
Approval	WHG; General building authority approval; overflow prevention	
EMC	DIN EN 61000-6-2	
	DIN EN 61000-6-4	open tanks
	DIN EN 61000-6-3	closed tanks
Shock resistance	DIN EN 60068-2-27	50 g (11 ms)
Vibration resistance	DIN EN 60068-2-6	20 g (10...2000 Hz)
MTTF [years]	222.77	
UL approval	UL Approval no.	H001
Mechanical data		
Weight [g]	295.5	
Materials	stainless steel (1.4404 / 316L); PEEK; PEI; FKM	
Materials (wetted parts)	PEEK	
Process connection	G 3/4 external thread	
Surface characteristics Ra/Rz of the wetted parts	< 0.8	
Displays / operating elements		
Display	switching status	LEDs, yellow
	operating status	LEDs, green
Remarks		
Pack quantity	1 pcs.	
Electrical connection		
Connector: 1 x M12; Contacts: gold-plated		
		

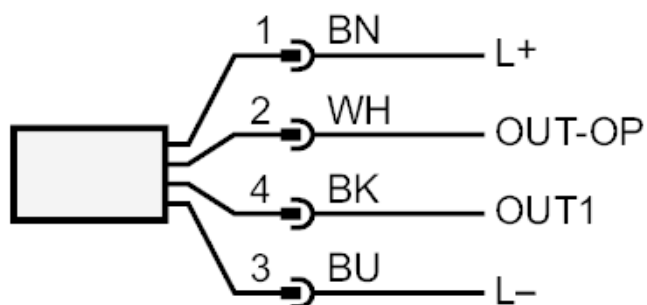
LMT292



Sensor for point level detection

LMBCE-A34E-QPKG-2/US

Connection



OUT1: switching output

OUT-OP switching output overflow prevention to the German Federal Water Act (WHG)

colours to DIN EN 60947-5-2

Core colours :

- BK = black
- BN = brown
- BU = blue
- WH = white