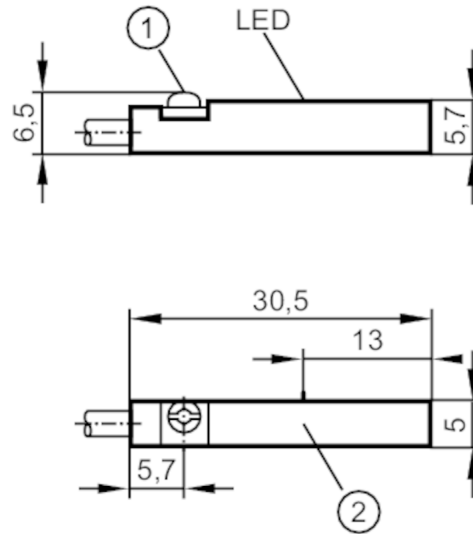


# MR501A



## T-slot cylinder sensor with reed contact

MRT2021BAKOG/R/6,0M/ZH/3G/3D



- 1 fastening clamp with combined slot / hexagon socket head hexagonal socket AF 1.5  
2 Sensing face



### Product characteristics

Electrical design	PNP/NPN
Output function	normally open
Dimensions [mm]	30.5 x 5 x 6.5

### Electrical data

Operating voltage [V]	5...30 DC
Protection class	III
Reverse polarity protection	yes

### Outputs

Electrical design	PNP/NPN
Output function	normally open
Max. voltage drop switching output DC [V]	5
Permanent current rating of switching output DC [mA]	100; (External protective circuit for inductive load (valve, contactor, etc.) necessary.)
Max. switching power [W]	5
Short-circuit protection	no
Overload protection	no

### Detection zone

Response sensitivity [mT]	2.1
Travel speed [m/s]	10

### Accuracy / deviations

Hysteresis [mm]	< 1
Repeatability [mm]	< 0.2

# MR501A



## T-slot cylinder sensor with reed contact

MRT2021BAKOG/R/6,0M/ZH/3G/3D

Response times		
Max. fall time	[ms]	0.1
Max. make time incl. bounce	[ms]	0.6
Operating conditions		
Ambient temperature	[°C]	-20...60
Protection		IP 65; IP 67
Tests / approvals		
ATEX marking		Ex II 3D Ex tc IIIC T125°C Dc X
		Ex II 3G Ex nA IIC T4 Gc X
EMC	EN 61000-4-2 ESD	- CD / 8 kV AD
	EN 61000-4-3 HF radiated	10 V/m
	EN 61000-4-4 Burst	2 kV
	EN 61000-4-6 HF conducted	10 V
	EN 55011	class B
MTTF	[years]	11303
Mechanical data		
Weight	[g]	105.3
Mounting		flush mountable
Cylinder type		T-slot cylinders
Dimensions	[mm]	30.5 x 5 x 6.5
Materials		housing: PA; fastening clamp: stainless steel
Displays / operating elements		
Display	switching status	1 x LED, yellow
Electrical connection		
Required protection		miniature fuse to IEC60127-2 sheet 1; ≤ 0,175 A; fast acting
Accessories		
Accessories (supplied)		rubber placeholder: 1
		Cable clip: 1
		Protective cover: 1 x T-Nut, E12259
Remarks		
Remarks		No LED function in case of polarity reversal in DC operation. voltage supply to EN50178, SELV, PELV
Pack quantity		1 pcs.

# MR501A



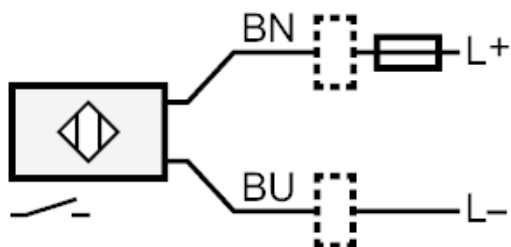
## T-slot cylinder sensor with reed contact

MRT2021BAKOG/R/6,0M/ZH/3G/3D

### Electrical connection

Cable: 6 m, PUR; 2 x 0.14 mm<sup>2</sup>

### Connection



Note miniature fuse to IEC60127-2 sheet 1  $\leq 0.175$  A fast acting

Core colours :

BN = brown  
BU = blue