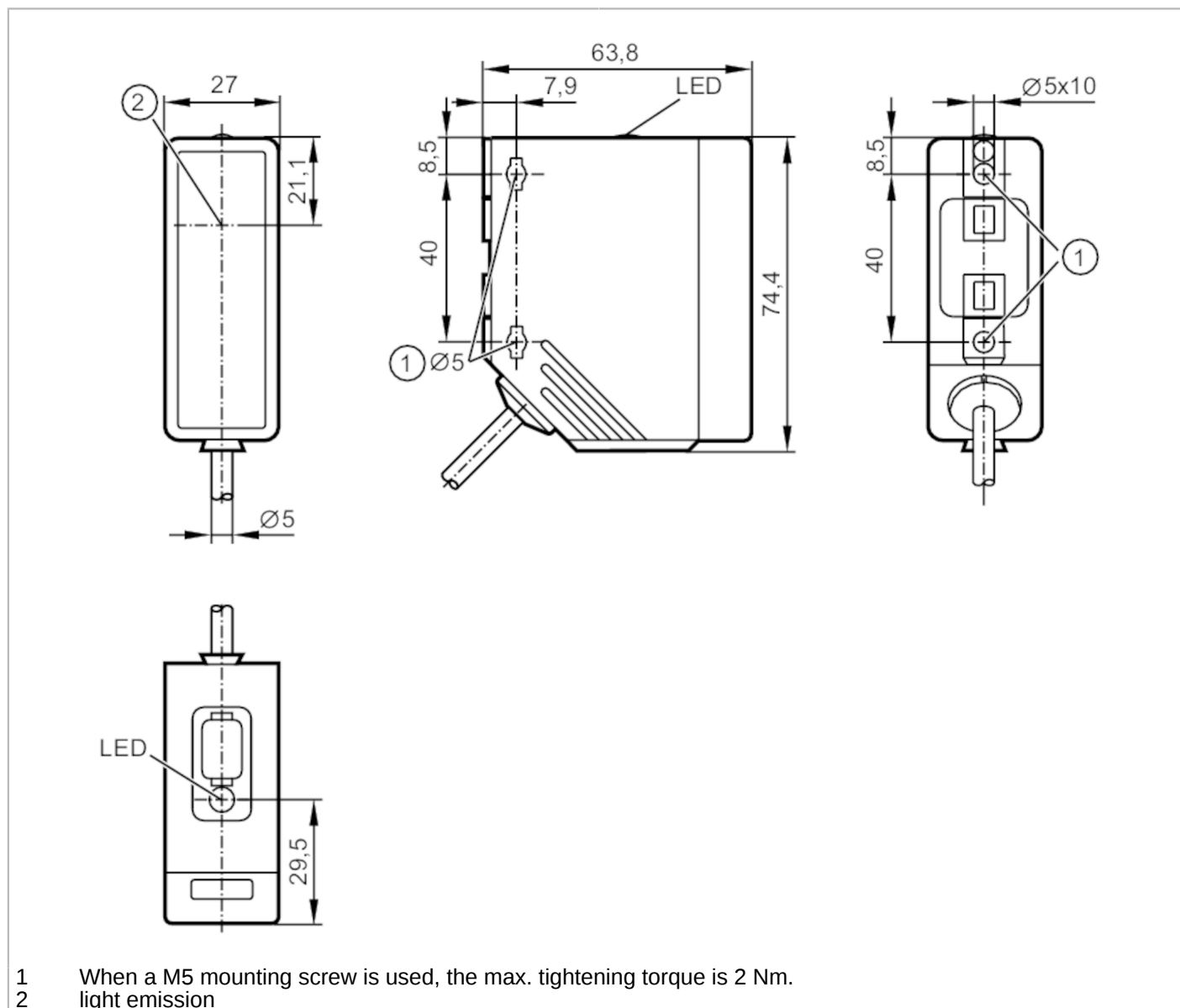


O4S501



Through-beam sensor transmitter

O4S-00KG/2M



Product characteristics	
Type of light	red light
Housing	rectangular
Dimensions [mm]	74.4 x 27 x 63.8
Application	
Function principle	Through-beam sensor

O4S501



Through-beam sensor transmitter

O4S-OOKG/2M

Electrical data		
Operating voltage	[V]	10...36 DC
Current consumption	[mA]	20
Protection class		II
Reverse polarity protection		yes
Type of light		red light
Wave length	[nm]	624
Outputs		
Overload protection		yes
Detection zone		
Transmitter / receiver		transmitter
Range	[m]	0...80
Range adjustable		no
Max. light spot diameter	[mm]	2400
Light spot dimensions refer to		at maximum range
Operating conditions		
Ambient temperature	[°C]	-25...60
Protection		IP 67
Tests / approvals		
EMC		EN 60947-5-2
MTTF	[years]	616
Mechanical data		
Weight	[g]	203.5
Housing		rectangular
Dimensions	[mm]	74.4 x 27 x 63.8
Materials		housing: PA; bezel: stainless steel; operator interface: TPE
Lens material		PMMA
Lens alignment		side lens
Displays / operating elements		
Display	operation	1 x LED, green
Remarks		
Remarks		operating voltage "supply class 2" according to cULus
Pack quantity		1 pcs.

O4S501



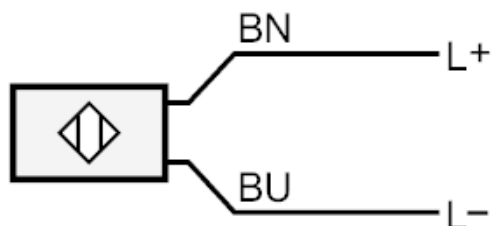
Through-beam sensor transmitter

O4S-OOKG/2M

Electrical connection

Cable: 2 m, PUR; 3 x 0.34 mm²

Connection

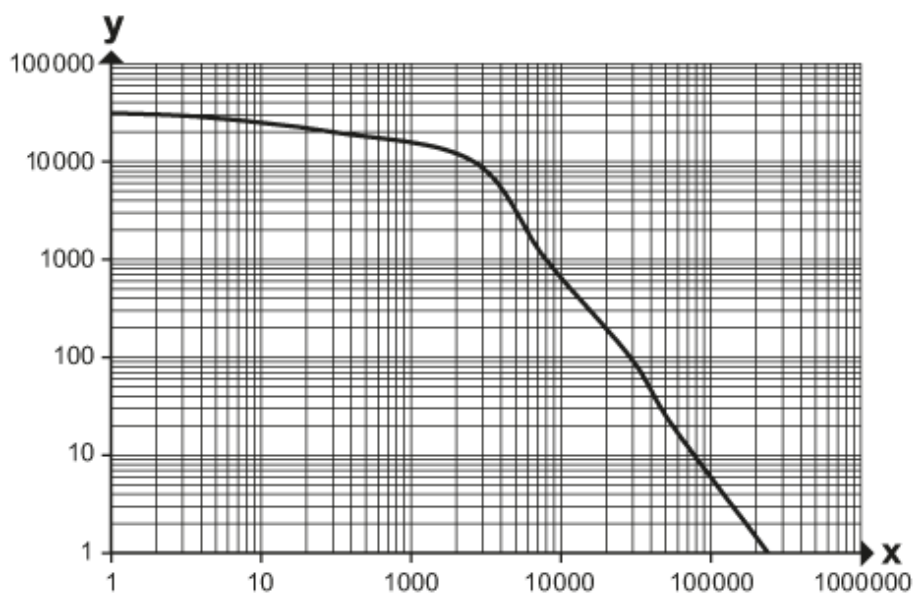


Core colours :

BN = brown
BU = blue

Diagrams and graphs

excess gain graph



x: Abstand [mm]

y: Funktionsreservfaktor