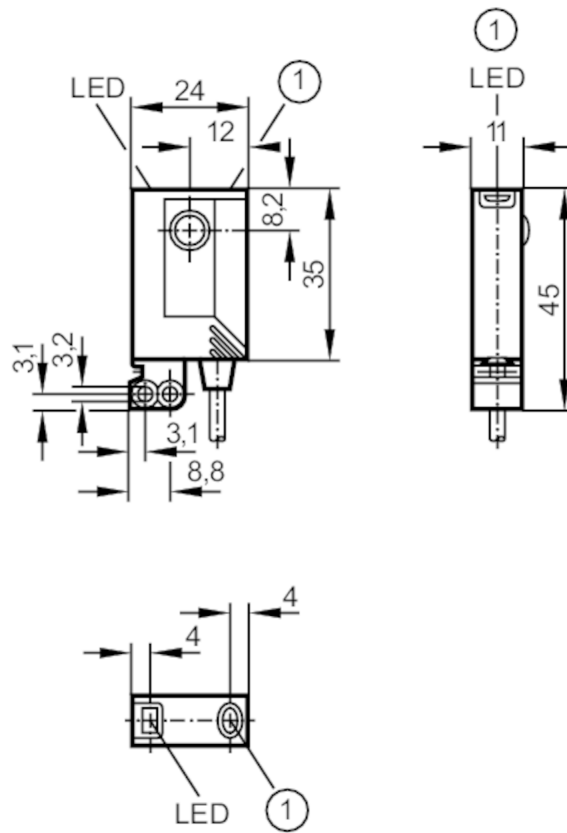




Through-beam sensor receiver

OJE-FPKG/FO/0,15M/US



1 pushbutton without function



Product characteristics

Type of light	red light
Housing	rectangular
Dimensions [mm]	35 x 24 x 11

Application

Special feature	Gold-plated contacts
Function principle	Through-beam sensor

Electrical data

Operating voltage [V]	10...30 DC
Current consumption [mA]	< 12
Protection class	III
Reverse polarity protection	yes
Type of light	red light
Wave length [nm]	660

OJ5067



Through-beam sensor receiver

OJE-FPKG/FO/0,15M/US

Outputs		
Electrical design	PNP	
Output function	light-on/dark-on mode; (programmable)	
Max. voltage drop switching output DC [V]	2.5	
Permanent current rating of switching output DC [mA]	200	
Switching frequency DC [Hz]	1200	
Short-circuit protection	yes	
Type of short-circuit protection	pulsed	
Overload protection	yes	
Detection zone		
Transmitter / receiver	receiver	
Range [m]	< 10	
Range adjustable	yes	
Operating conditions		
Ambient temperature [°C]	-25...60	
Protection	IP 67	
Tests / approvals		
EMC	EN 60947-5-2	
MTTF [years]	968	
Mechanical data		
Weight [g]	52.9	
Housing	rectangular	
Dimensions [mm]	35 x 24 x 11	
Materials	housing: ABS; fixture: diecast zinc; LED window: SEPS; pushbutton: SEPS; connector body: Hytrel 8068; connector thread: stainless steel (1.4404 / 316L)	
Lens material	glass	
Lens alignment	front lens	
Material nut	stainless steel (1.4404 / 316L)	
Displays / operating elements		
Display	switching status	1 x LED, yellow
	operation	1 x LED, green
	function	1 x LED, red
Electronic lock	yes	
Accessories		
Accessories (supplied)	Basic clip: 1 x, E20964	
	screws: 2 x x M3 x 16	
	spring washers: 2 x	
	Nuts: 2 x	
Remarks		
Remarks	operating voltage "supply class 2" according to cULus	
Pack quantity	1 pcs.	

OJ5067



Through-beam sensor receiver

OJE-FPKG/FO/0,15M/US

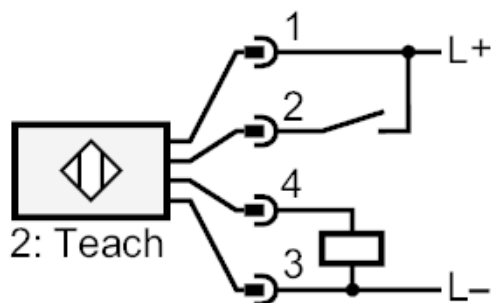
Electrical connection

Cable: 0.15 m, PVC

Connector: 1 x M12; Locking: stainless steel (1.4404 / 316L); Contacts: gold-plated



Connection



2

Teach

OJ5067



Through-beam sensor receiver

OJE-FPKG/FOJ0,15M/US

Diagrams and graphs

excess gain graph

