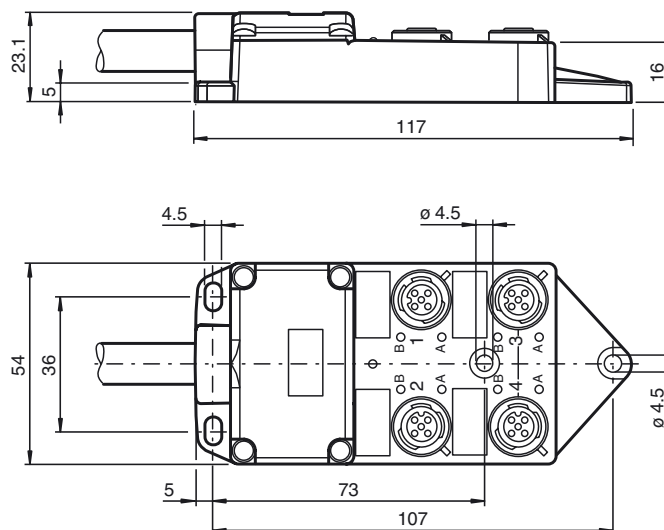




**Dimensions**



**Model Number**

**V1-4A-E2-10M-PUR**

Quadruple splitter box with M12 connector with basic cable

**Features**

- LED indicator for module supply and I/O status

**Accessories**

**VAZ-V1-B3**

Blind plug for M12 sockets

**MH 05-SACB-4**

Mounting aid for DIN rail

**MH V1-SCREWDRIVER**

torque screwdriver (0.4 Nm)

**MH V1-BIT M12**

plug-in cap M12

**Technical data**

**General specifications**

Number of pins 4

**Indicators/operating means**

LED green supply voltage each module  
LED yellow I/O status indication

**Electrical specifications**

Operating voltage  $U_B$  24 V DC, max. 30 V DC  
Operating current  $I_B$   $\leq$  5 mA per channel indication element  
Current loading capacity  $\leq$  2 A per channel,  $\leq$  4 A per plug-in station,  $\leq$  12 A total current per separator

**Ambient conditions**

Ambient temperature housing: -25 ... 80 °C (-13 ... 176 °F)  
cable, flexing: -5 ... 80 °C (23 ... 176 °F)  
cable, fixed: -40 ... 90 °C (-40 ... 194 °F)

**Mechanical specifications**

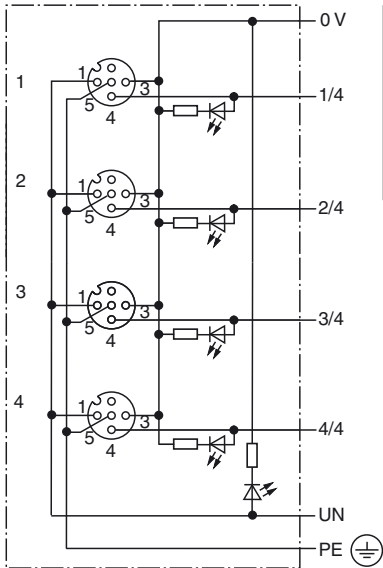
Connection type 4 x socket M12 x 1 4-pin Master cable  
Degree of protection IP65/IP67  
Connection  
Material  
Contacts Cu alloy  
Contact surface Au  
Housing PBT  
Threaded bushings PBT  
Cable PUR  
Seal O-ring: NBR  
Core insulation PVC  
Cable flexible  
Sheath diameter  $\varnothing$  6.9 mm  
Bending radius  $>$  10 x cable diameter, moving  
&gt; 7.5 x cable diameter, fixed  
Color black  
Cores Signalling line (4): 4 x 0.34 mm<sup>2</sup> (AWG 22)  
Supply line (1, 3), PE (5): 3 x 0.75 mm<sup>2</sup> (AWG 18)  
Conductor construction 19 x 0.15 mm  $\varnothing$  and 42 x 0.15 mm  $\varnothing$   
Length L 10 m  
Mass approx. 920 g

**Compliance with standards and directives**

Standard conformity  
Degree of protection EN 60529  
Flammability DIN EN†50265-2-1

Release date: 2014-10-30 11:51 Date of issue: 2015-02-05 259976\_eng.xml

Electrical connection



Slot/Pin (signal)	Color
1 / 4 (A)	WH
2 / 4 (A)	GN
3 / 4 (A)	YE
4 / 4 (A)	GY
1-4 / 1 (UN)	BN
1-4 / 3 (0 V)	BU
1-4 / 5 (PE)	GN/YE

