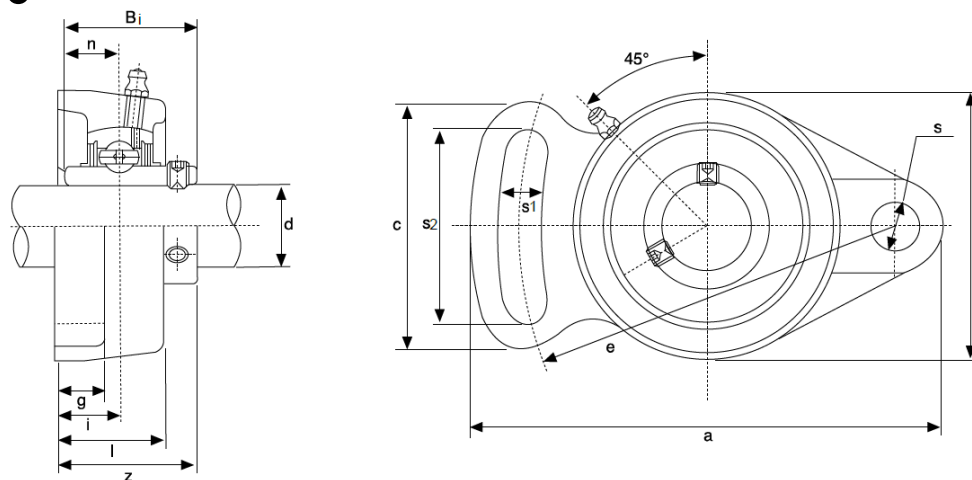


## UCFA 200



R.E Code (Rubix Engineering Code)	Generic Code	Shaft Diameter [mm]	Dimensions [mm]													Bearing No.	Bolt Size	Housing No.	Weight [kg]
			d	a	e	i	g	l	s	s1	s2	b	c	z	Bi				
893576	UCFA203-PTN	17	98	78	15	12	25.5	10	10	40	60	54	33.3	31	12.7	UC203	M8	FA204	0.48
893577	UCFA204-PTN	20	98	78	15	12	25.5	10	10	40	60	54	33.3	31	12.7	UC204	M8	FA204	0.48
893578	UCFA205-PTN	25	125	98	16	14	27	12	13	51	68	65	35.8	34.1	14.3	UC205	M10	FA205	0.68
893579	UCFA206-PTN	30	144	117	18	14	31	12	13	58	80	72	40.2	38.1	15.9	UC206	M10	FA206	0.90
893580	UCFA207-PTN	35	161	130	19	16	34	15	15	66	90	82	44.4	42.9	17.5	UC207	M12	FA207	1.47
893581	UCFA208-PTN	40	175	144	21	16	36	15	15	71	100	87	51.2	49.2	19	UC208	M12	FA208	1.80
893582	UCFA209-PTN	45	181	148	22	18	38	15	15	72	108	90	52.2	49.2	19	UC209	M14	FA209	2.08
893583	UCFA210-PTN	50	190	157	22	18	40	15	17	76	115	94	54.6	51.6	19	UC210	M14	FA210	2.27