

**TECHNICAL SPECIFICATIONS**
**D-Sub Hood:**

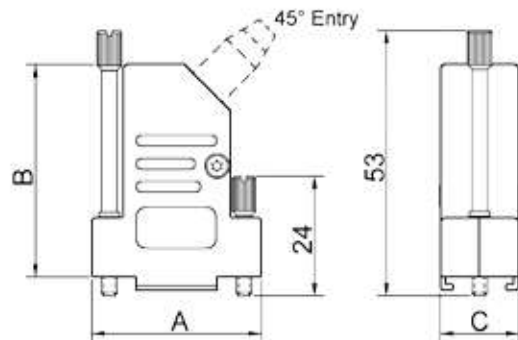
Material: Zinc, Nickel Plated  
 Operating Temperature: -40°C to +120°C  
 Cable Entry: Side Entry  
 Rubber Grommet RGS  
 Strain relief: Clamp + Insert  
 Thumbscrews: **Long Jackscrews**  
 UNC 4-40 (Standard)  
 Cable O.D: Up to 11.5mm

**High Density D-Sub Solder Cup:**

Insulator: Glass filled TP, UL94 V-0  
 Shell: Steel, Tin Plated  
 Contact pins: Copper Alloy  
 Stamped & Formed Pins: Class 3, 100 inserts min.  
 Contact Plating: Gold flash over Nickel  
 Operating Temperature: -55°C to +85°C  
 Withstanding voltage: >1000V Rms to 50 Hz for 1 minute  
 Current Rating: 3A  
 Insulator resistance: >5000MΩ min.

**Features:**

- Available in Sizes HD15-26-44-62
- Long Jackscrews
- 360° EMI Shielding
- Quick assembly
- Pre-mounted locking screws



Size DTSL	Dim A	Dim B	Dim C
9-way	32,2	42,0	15,0
15-way	40,8	42,3	15,0
25-way	54,0	42,3	15,0
37-way	70,5	48,0	15,0

**Ordering information:**
**High Density D-Sub Connector Kits**

Size:	P/N - Kitted:	Description:
15-way	L17DTSL09-LJS-RG-S+L717HDE15P	Solder Cup, 15-Male
26-way	L17DTSL15-LJS-RG-S+L717HDA26P	Solder Cup, 26-Male
44-way	L17DTSL25-LJS-RG-S+L717HDB44P	Solder Cup, 44-Male
62-way	L17DTSL37-LJS-RG-S+L717HDC62P	Solder Cup, 62-Male

Size:	P/N - Kitted:	Description:
15-way	L17DTSL09-LJS-RG-S+L77HDE15S	Solder Cup, 15-Female
26-way	L17DTSL15-LJS-RG-S+L77HDA26S	Solder Cup, 26-Female
44-way	L17DTSL25-LJS-RG-S+L77HDB44S	Solder Cup, 44-Female
62-way	L17DTSL37-LJS-RG-S+L77HDC62S	Solder Cup, 62-Female