

IP54 General Purpose Enclosures

Technical Specification

Manufactured from ADC12 aluminium, this range offers a versatile IP54 enclosure solution for applications where light protection against dust and low pressure water spray is required.

15 sizes are available, complete with lid screws and PCB guides on selected sizes. Nine sizes are also available with flanges for easy mounting.

Deltron Enclosures can customise any enclosure in our UK factory, including machining, painting, component sourcing and installation to meet your specification, save time and cut your costs. View our Services page on our website for more information.



For more information:

Phone: +44 (0)1724 273200

Features:

- IP54 Rated
- Manufactured from ADC12
- Certified to BS EN 60529:1992
- RoHS Compliant

Typical Applications:

- Remote Control Systems
- Keyboards
- Display Boards
- Radio Instrumentation

Available Dimensions (mm):

90 x 36 x 30*	115 x 64 x 30*
115 x 90 x 55*	115 x 65 x 55*
172 x 121 x 55*	172 x 121 x 106*
223 x 147 x 55*	223 x 147 x 106
275 x 176 x 65	141 x 102 x 76*
166 x 128 x 76	121 x 101 x 35*
251 x 251 x 99	81 x 56 x 25
61 x 56 x 30	*= Available with Flanges

Finishes: Plain Aluminium, Powder or Nylon coat.

Coating Colours: Grey, Blue or Black.

Or choose to have your enclosure customised for bespoke finishes and colours.

DEM Manufacturing

Deltron Emcon House,
Hargreaves Way,
Sawcliffe Industrial Park,
Scunthorpe, DN15 8RF.

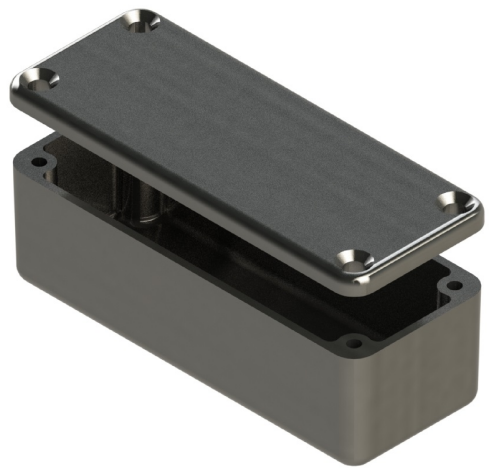
DELTRON Enclosures

Web: www.dem-uk.com/deltron-enclosures

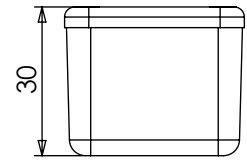
Tel: +44 (0) 1724 273200

Email: sales@dem-uk.com

REV	1	DATE	ECN NUMBER	ECR COMMENT	3	4	5	6	7
003		06 Jun 2017	C03614	TORQUE SETTINGS ADDED					

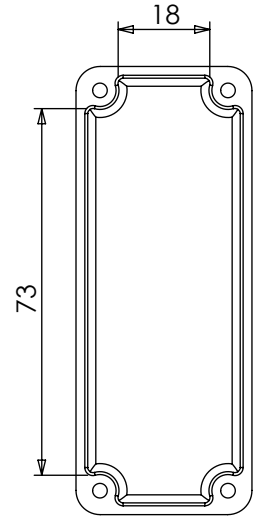
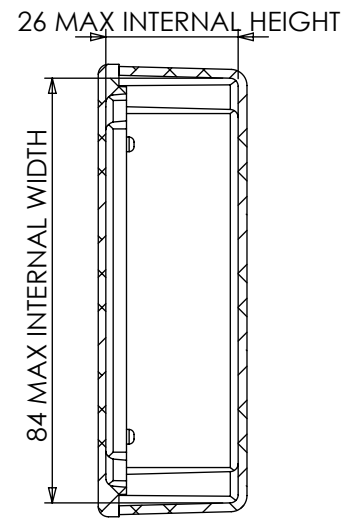
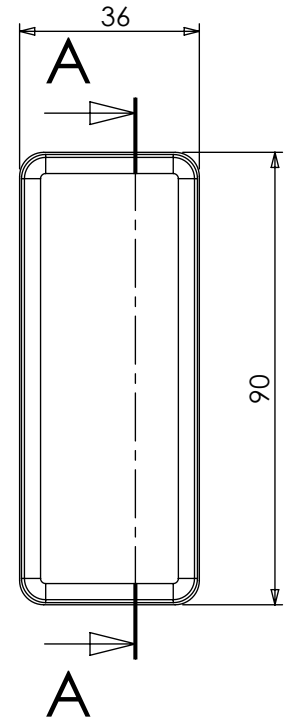
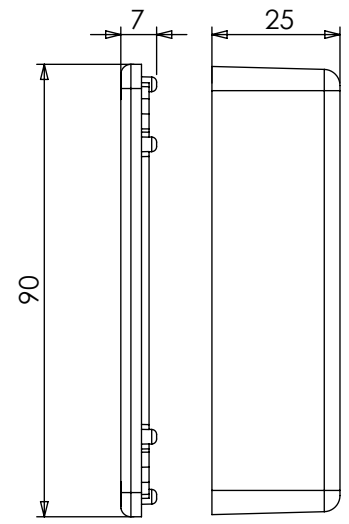


LENGTH	WIDTH	HEIGHT	SEAL	TORQUE SETTINGS	PLAIN	POWDER COAT	NYLON COAT
90	36	30	NONE	NONE	459-0010	461-0010*	462-0010*
			IP66	0.3Nm	460-0010	453-0010*	454-0010*
			IP68	0.7Nm	480-0010	481-0010*	482-0010*
			IP68 EMI/RFI	1.0Nm	480-C010	481-C010*	482-C010*
BOX DIMENSION IN MM			COLOUR OPTION - COLOUR SUFFIX * GREY=A / BLUE=B / BLACK = E				



STANDARD DUTY ENCLOSURE

- Material grade ADC12/LM2 Die Cast Alloy
- IP Rated available
- Min wall thickness 1.5mm
- Min lid thickness 1.5mm
- Fine textured powder coating and smooth nylon
- Screws stainless steel
- IP68 Tested to 5 metres for 1 hour
- Enclosures can be supplied fully factory customised to your specification



SECTION A-A

		<p>PROPRIETARY AND CONFIDENTIAL: THE INFORMATION CONTAINED IN THIS DRAWING IS THE SOLE PROPERTY OF ALPHA 3 MANUFACTURING. ANY REPRODUCTION IN PART OR AS A WHOLE WITHOUT THE WRITTEN PERMISSION OF ALPHA 3 MANUFACTURING IS PROHIBITED.</p> <p>DEM Manufacturing is a division of Alpha 3 Manufacturing LTD DEM Manufacturing, Deltron Emcon House, Hargreaves Way, Sawcliffe Ind. Park, Scunthorpe, North Lincolnshire, DN15 8RF, UK</p>		<p>UNLESS OTHERWISE SPECIFIED DIMENSIONS ARE IN MILLIMETRES LINEAR & RADIAL TOLERANCE: NO DECIMAL PLACES 1 DECIMAL PLACE 2 DECIMAL PLACES ANGULAR TOLERANCE:</p>		<p>IF IN DOUBT ASK! DO NOT SCALE DRAWING!</p> <p>FINISH: SEE NOTES MATERIAL: ALUMINIUM ALLOY</p> <p>THE FINISHED PRODUCT SHOULD BE CLEAN AND FREE FROM ALL LIQUIDS AND DEBRIS. SURFACES SHOULD BE OF UNIFORM APPEARANCE FREE FROM SHARP EDGES, BURRS AND CORROSION</p>		<p>AUTHOR: Alex Yau EDITOR: DT APPROVER: DT</p> <p>THIRD ANGLE PROJECTION</p>		<p>TITLE: PLAIN ENCLOSURE FILE: A ENCLOSURE PART: BOX & LID ASSEMBLY</p> <p>SHEET 1 OF 1 SCALE 1:1.5 A4</p>		<p>ISSUE/REV.: 003 VERSION: 15 RELEASED EDIT DATE: 06 Jun 2017</p>	
<p>+44(0)1724 273200 www.dem-uk.com</p>													